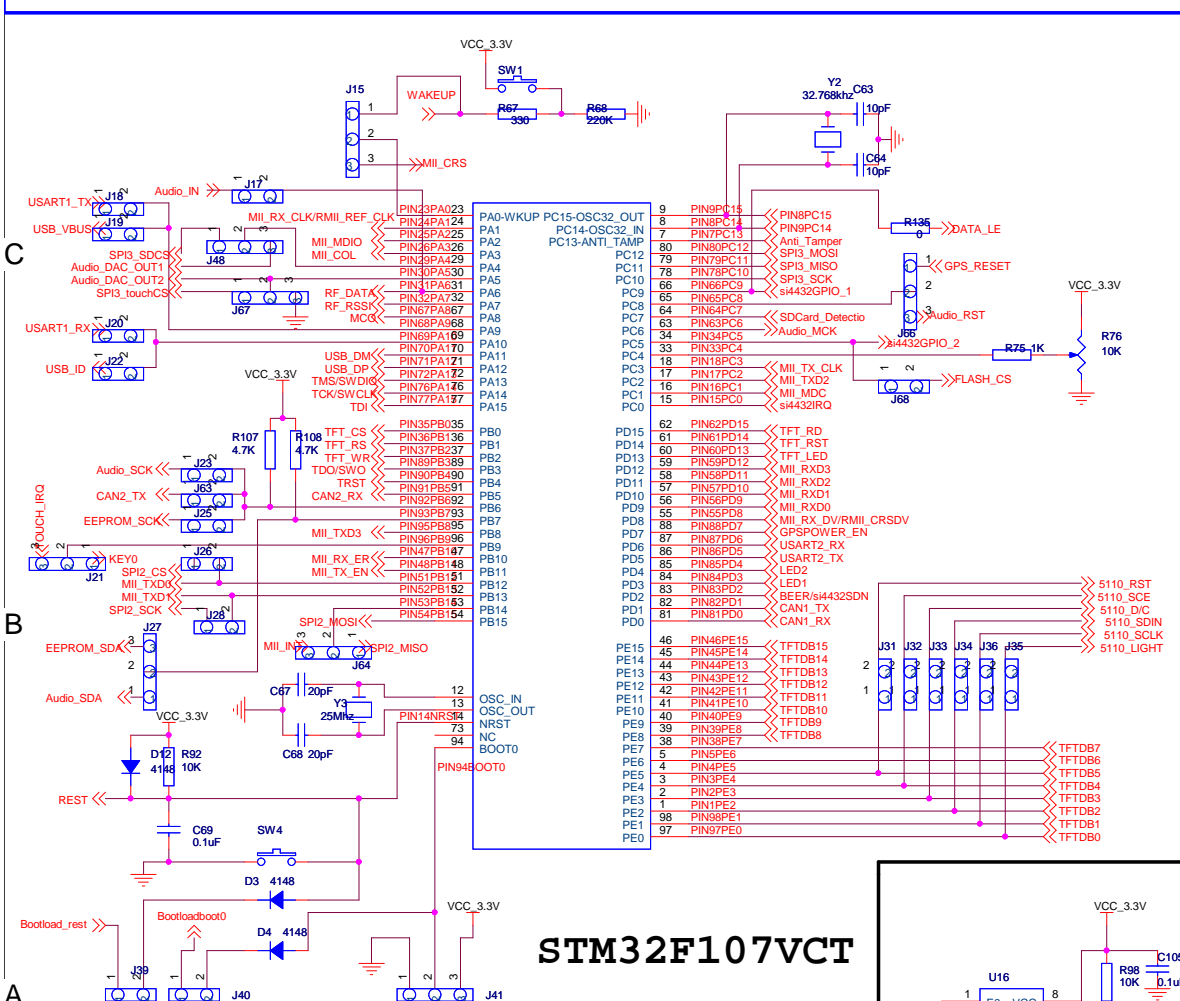
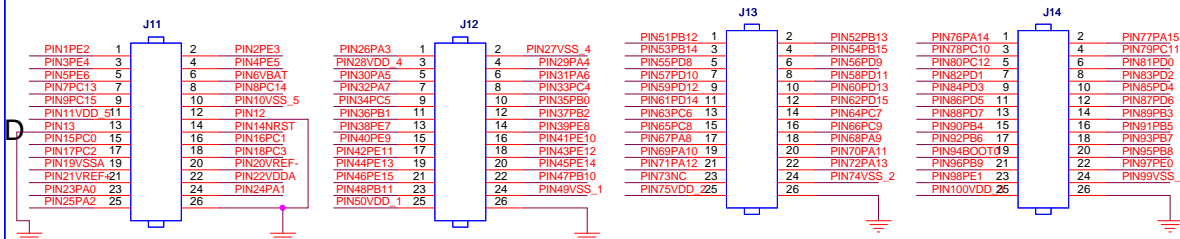


Title	<Title>		
Size	A3	Document Number	<Doc>
Date:	Monday, June 14, 2010	Sheet	1 of 5

所有引脚

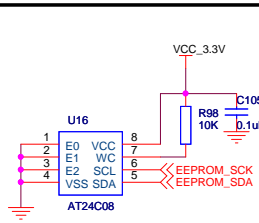
5

3

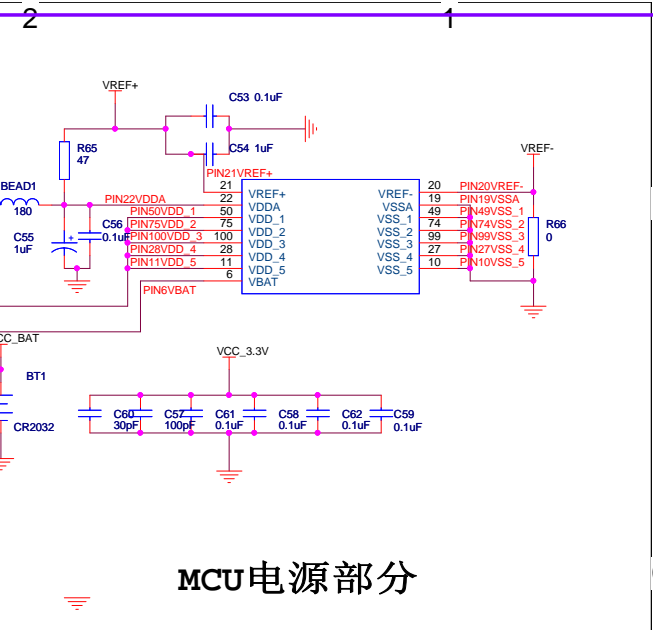
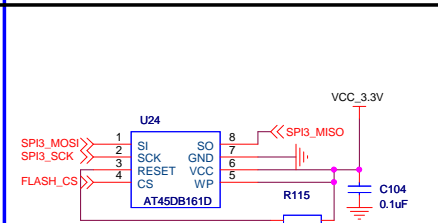


STM32F107VCT

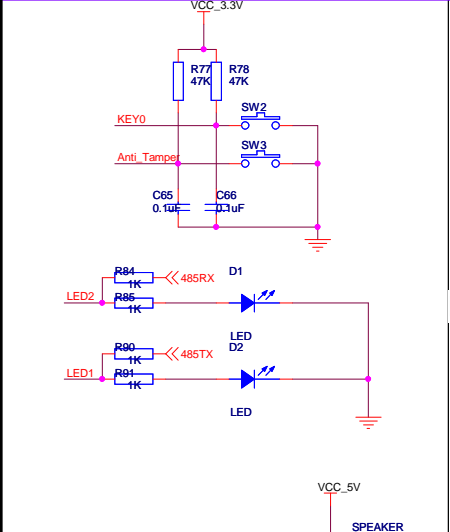
EEPROM



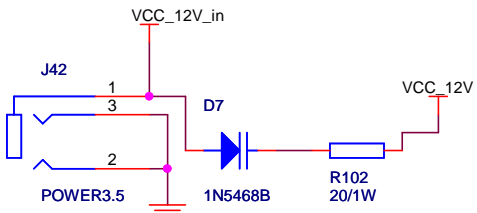
FLASH



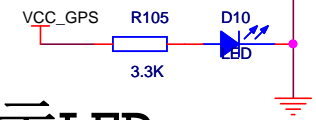
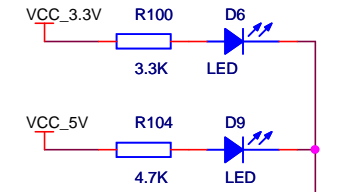
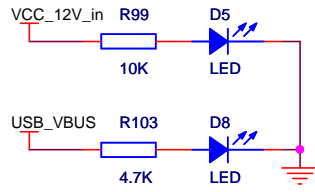
MCU电源部分



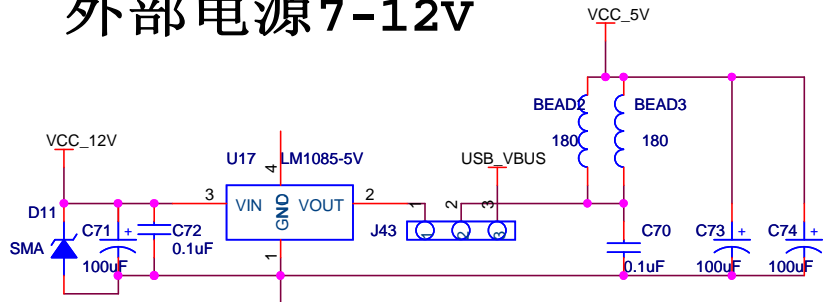
Title		<Title>	
Size	A3	Document Number	<Doc>
Date:	Monday, June 14, 2010	Sheet	2 of 5



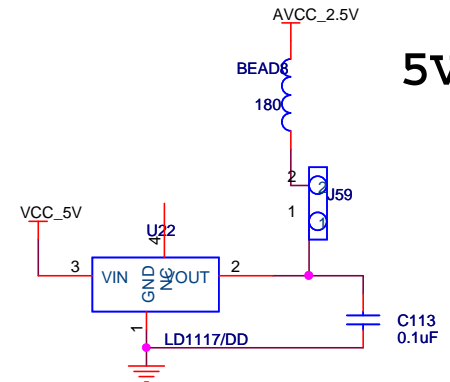
外部电源7-12V



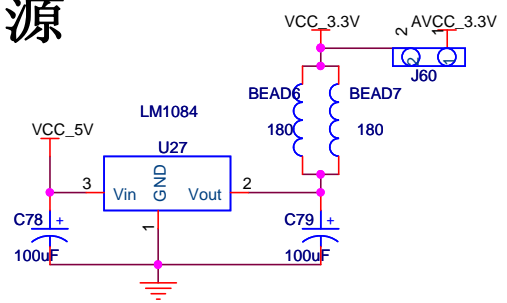
电源指示LED



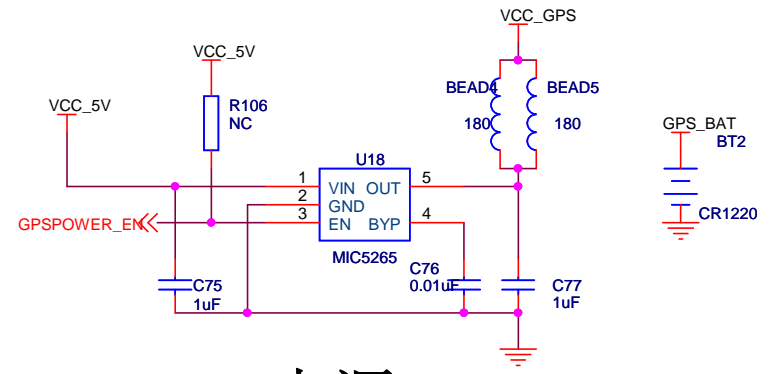
5V主电源



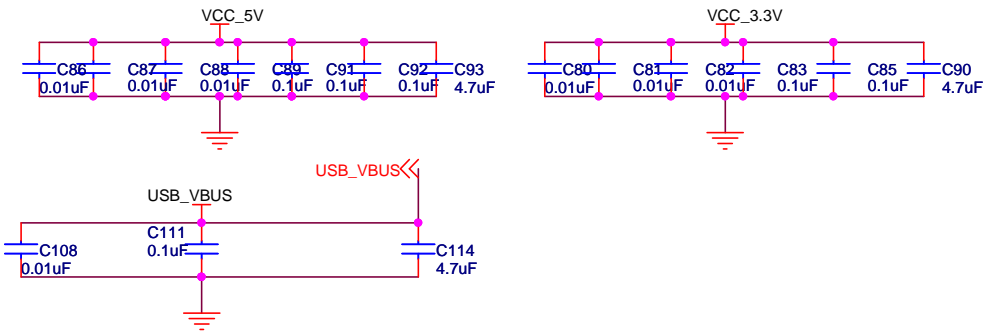
2.5V辅助电源



3.3V主电源



GPS电源



Title		
<Title>		
Size	Document Number	Rev
A4	<Doc>	<RevCode>
Date:	Saturday, May 15, 2010	Sheet 3 of 5

5

4

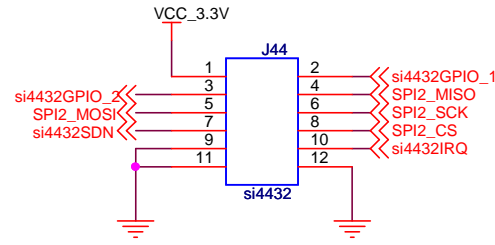
3

2

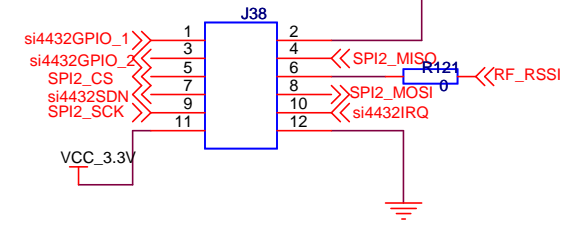
1

D

D



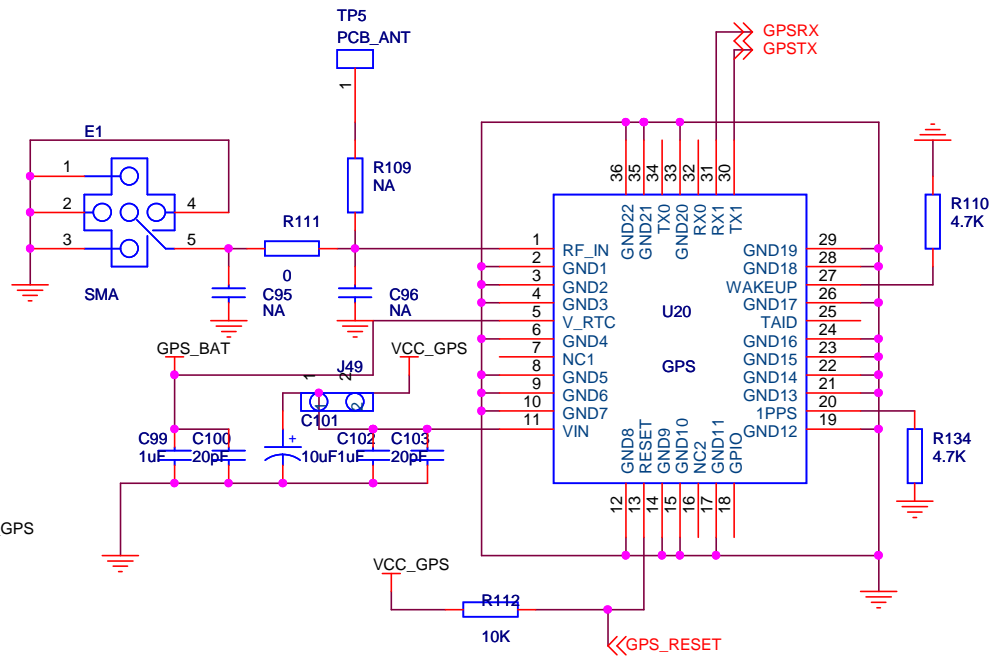
si4432/cc2500模块



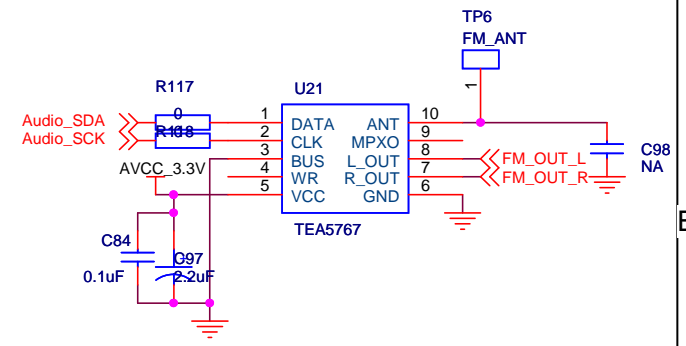
NRF2401模块

C

C



GPS模块

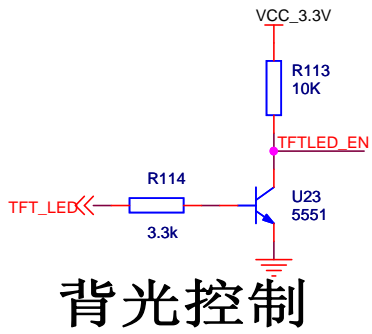


FM模块

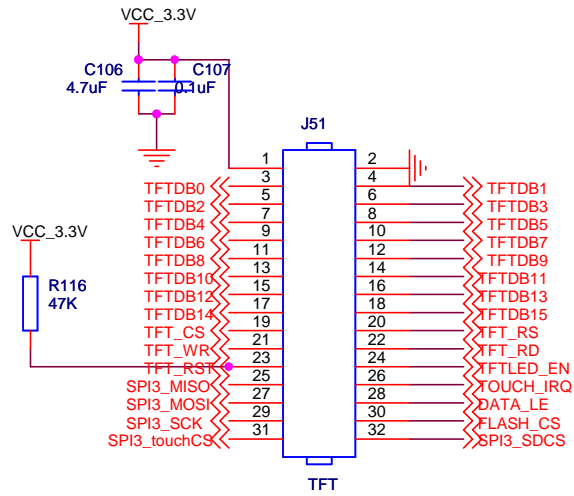
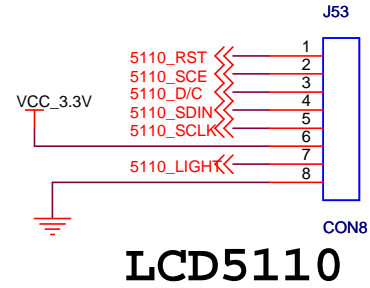
A

A

Title		
STM32F107VC		
Size	Document Number	Rev
A4	<Doc>	<RevCode>
Date:	Monday, June 14, 2010	Sheet 4 of 5



背光控制



TFT接口

Title		
STM32F107VC		
Size	Document Number	Rev
A4	<Doc>	<RevCode>
Date:	Tuesday, May 04, 2010	Sheet 5 of 5