

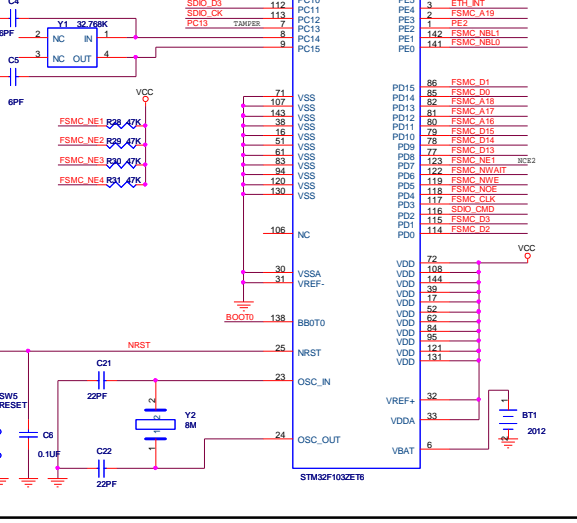
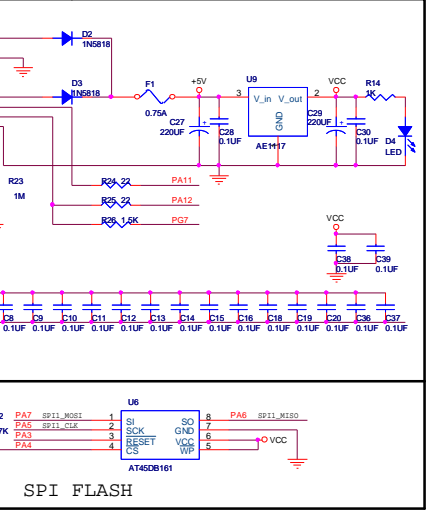
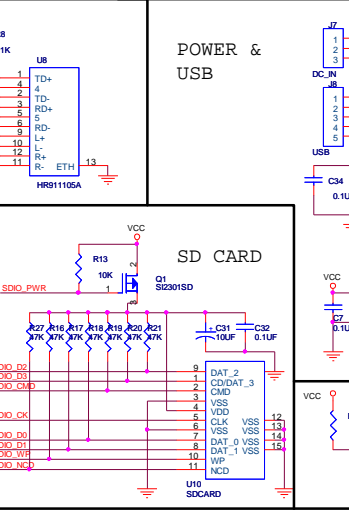
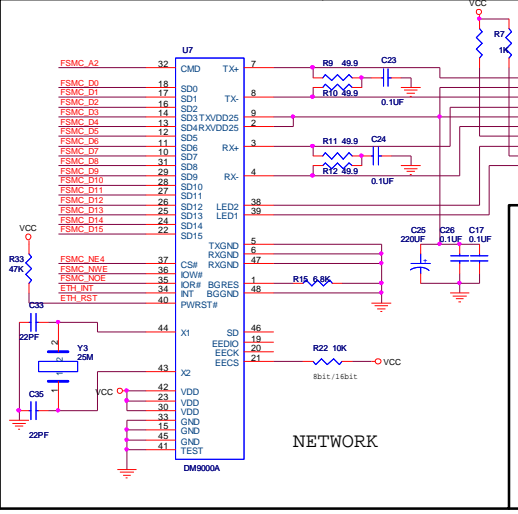
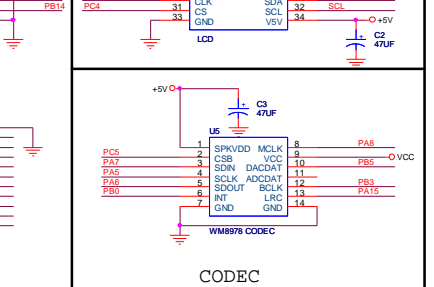
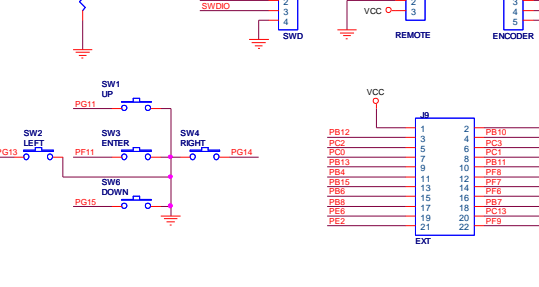
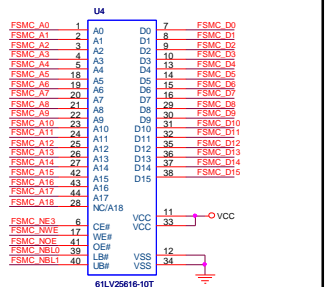
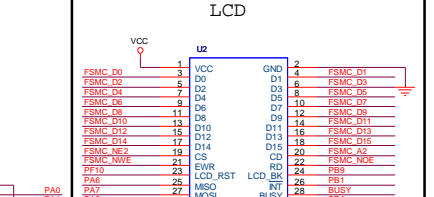
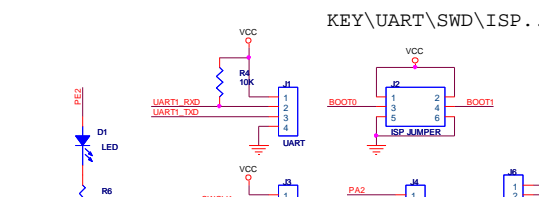
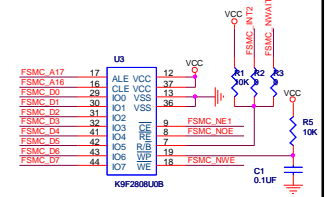
STM32 CORE

PA0	36	PA0	132	PG15	KEY
PA1	36	PA1	129	PG14	KEY
PA2	36	PA2	128	PG13	KEY
PA3	FLASH_RST	PA3	127	FSMC_NE4	
PA4	FLASH_CS	PA4	126	PG11	
PA5	EP11_CLK	PA5	125	FSMC_NE3	MCU4.1
PA6	EP11_MISO	PA6	124	FSMC_NE2	MCU4.1
PA7	EP11_MOSI	PA7	123	SDIO_NCD	
PA8	AREF	PA8	122	FSMC_D15	SDIO_WP
UART_TXD	101	PA8	91	FSMC_NT2	
UART_RXD	102	PA9	90	FSMC_A15	
PA11_SWRM	103	PA9	89	FSMC_A14	
PA12_SWRM	104	PA10	88	FSMC_A13	
SWDIO	100	PA11	87	FSMC_A12	
SWCLK	100	PA12	86	FSMC_A11	
PA14		PA13	85	FSMC_A10	
PA15	110	PA15	56	FSMC_A9	

PB0	CODEC_INT	PB0	55	FSMC_A9	
PB1	SUDB_INT	PB1	54	FSMC_A8	
PB2	BOOT1	PB2	53	FSMC_A7	
PB3		PB3	50	FSMC_A6	
PB4		PB4	49	PF11	
PB5		PB5	22	PF10	LCD_RST
PB6		PB6	21	PF9	
PB7		PB7	20	PF8	
PB8		PB8	19	PF7	
PB9	LCD_BK	PB9	18	PF6	
PB10		PB10	15	FSMC_A5	
PB11		PB11	14	FSMC_A4	
PB12		PB12	13	FSMC_A3	
PB13		PB13	12	FSMC_A2	
PB14	KEY	PB14	11	FSMC_A1	
PB15		PB15	10	FSMC_A0	

PC0		PC0	68	FSMC_D12	
PC1		PC1	67	FSMC_D11	
PC2		PC2	66	FSMC_D10	
PC3		PC3	65	FSMC_D9	
PC4	SUDB_CS	PC4	64	FSMC_D8	
PC5	SUDB_CS	PC5	63	FSMC_D7	
PC6	PWR	PC6	60	FSMC_D6	
PC7		PC7	59	FSMC_D5	
PC8		PC8	58	FSMC_D4	
PC9		PC9	5	PE6	
PC10		PC10	4	ETH_RST	
PC11		PC11	3	ETH_INT	
PC12		PC12	2	AF2	
PC13	TAMPER	PC13	1	AF2	
PC14		PC14	142	FSMC_NBL1	
PC15		PC15	141	FSMC_NBL0	

VSS	107	VSS	71		
VSS	143	VSS	61	FSMC_NE1	R20 47K
VSS	38	VSS	51	FSMC_NE2	R21 47K
VSS	16	VSS	83	FSMC_NE3	R22 47K
VSS	51	VSS	94	FSMC_NE4	R23 47K
VSS	83	VSS	120		
VSS	94	VSS	130		
VSS	120				
VSS	130				
NC	-106				
VDD	72	VDD	30		
VDD	108	VDD	31	VSSA	
VDD	144	VDD	17	VREF-	
VDD	37	VDD	84		
VDD	17	VDD	85		
VDD	52	VDD	86		
VDD	84	VDD	95		
VDD	86	VDD	121		
VDD	95	VDD	131		
VDD	121	VDD	25	NRST	
VDD	131	VDD	23	OSC_IN	
VDD	32	VDD	24	OSC_OUT	
VDDA	33	VDDA	6		
VBAT	6				



SRAM	NE3
NAND	NE1 NCE2
LCD	NE2
ETH	NE4