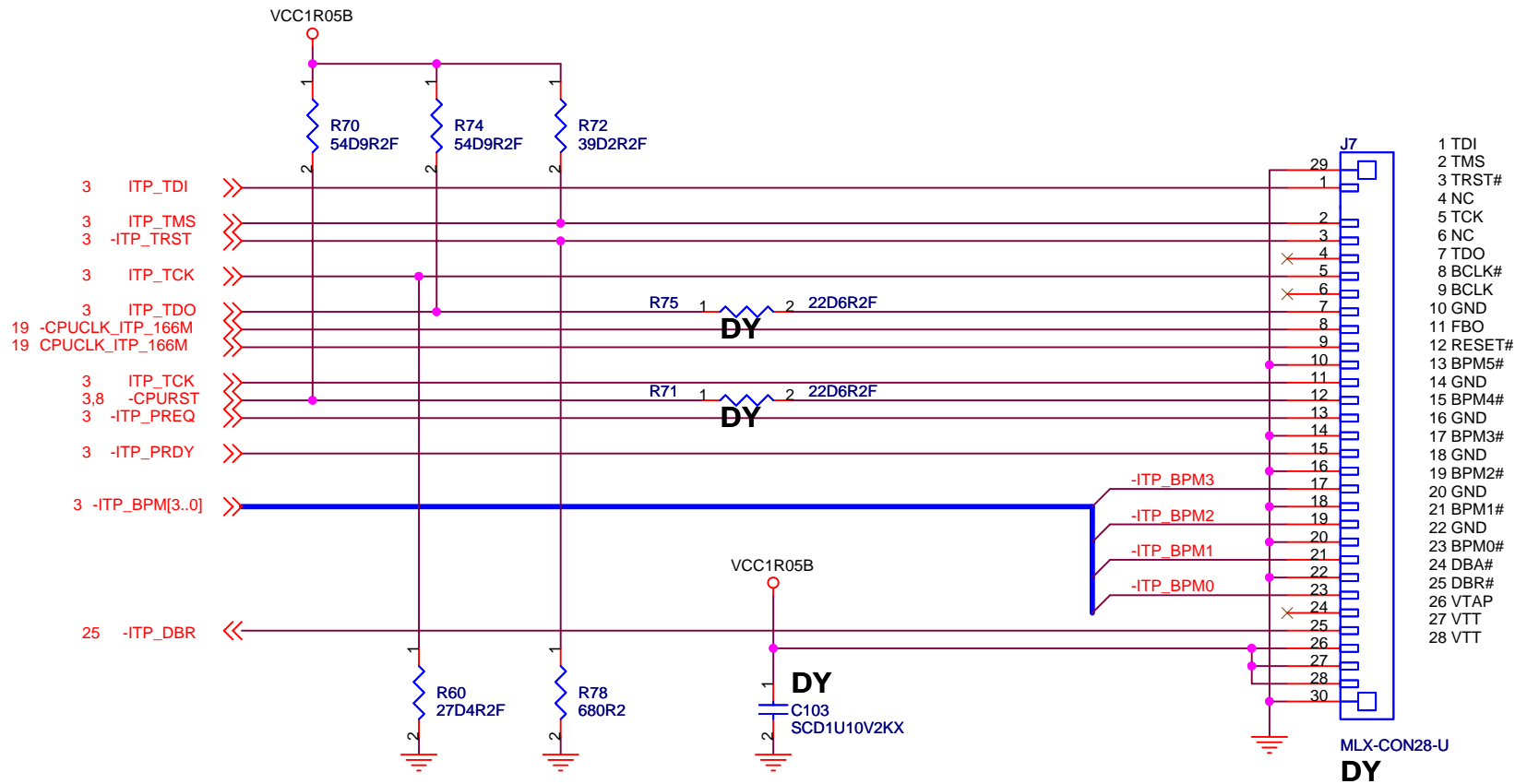


<Variant Name>

		<b>Wistron Corporation</b> 21F, 88, Sec.1, Hsin Tai Wu Rd., Hsichih, Taipei Hsien 221, Taiwan, R.O.C.	
<b>YONAH CPU(3/3)</b>			
Title		Rev	
Size A3		Document Number	SB
Date: Friday, July 22, 2005		Sheet 5	of 73



(\*1) TCK SIGNAL IS BRANCHED AT DOTHAN PIN

(\*2) CPURST# SIGNAL IS BRANCHED AT ALVISO PIN

<Variant Name>

緯創資通

**Wistron Corporation**  
21F, 88, Sec.1, Hsin Tai Wu Rd., Hsichih,  
Taipei Hsien 221, Taiwan, R.O.C.

Title

**ITP CONN**

Size  
A4

Document Number

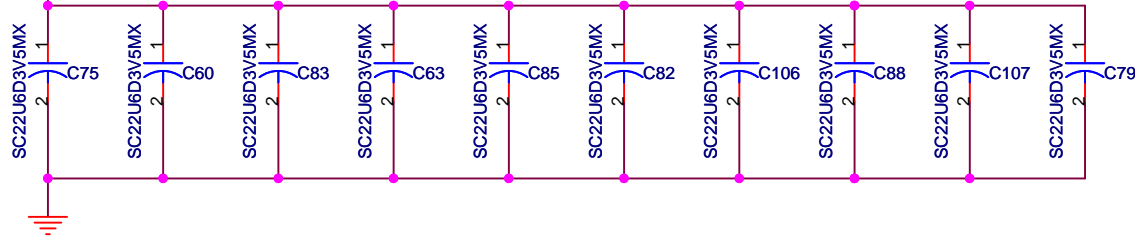
**KS Note**

Rev  
**SB**

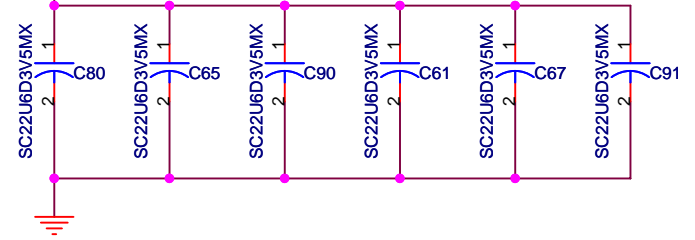
Date: Friday, July 22, 2005

Sheet 6 of 73

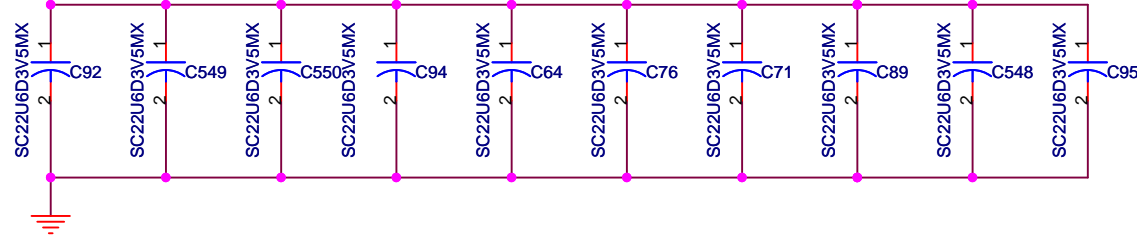
VCCCPUCORE



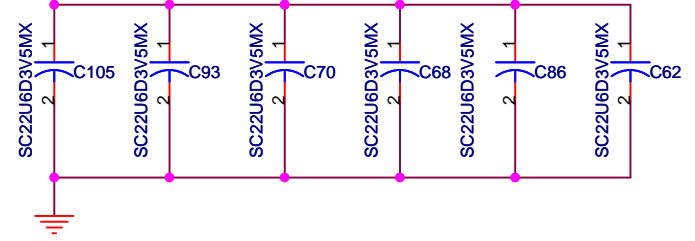
VCCCPUCORE



VCCCPUCORE



VCCCPUCORE



<Variant Name>

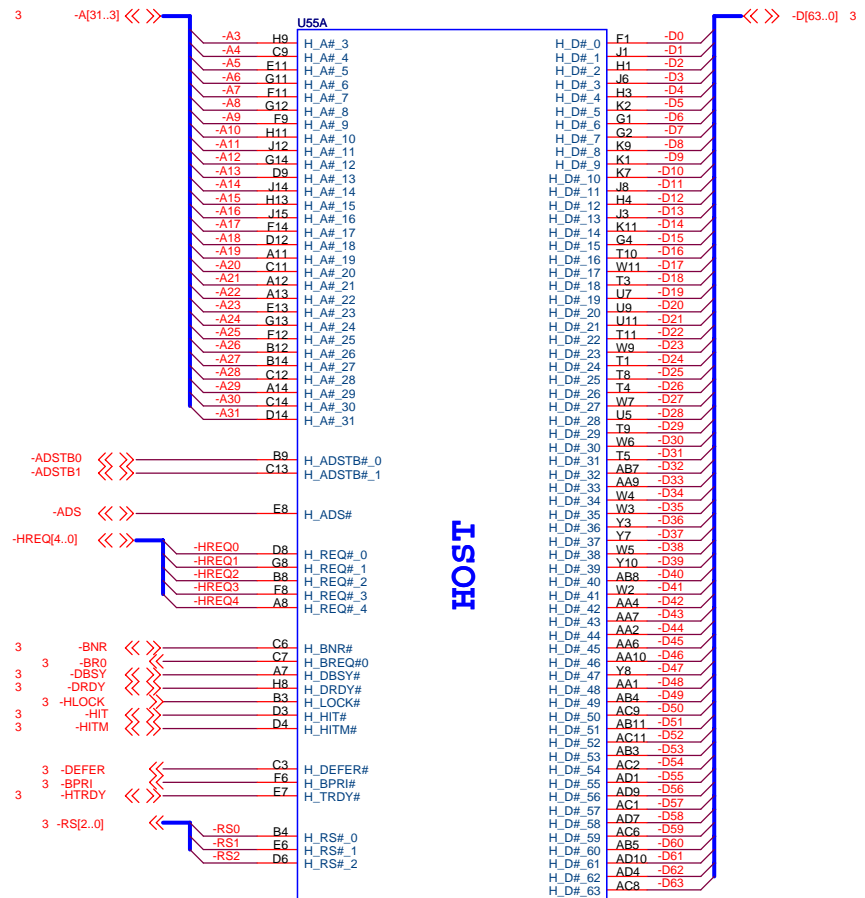
緯創資通

Wistron Corporation  
21F, 88, Sec.1, Hsin Tai Wu Rd., Hsichih,  
Taipei Hsien 221, Taiwan, R.O.C.

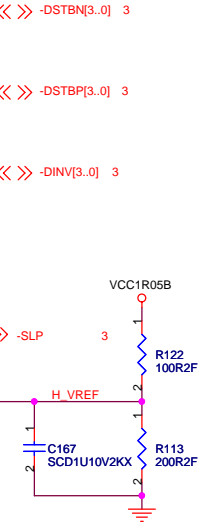
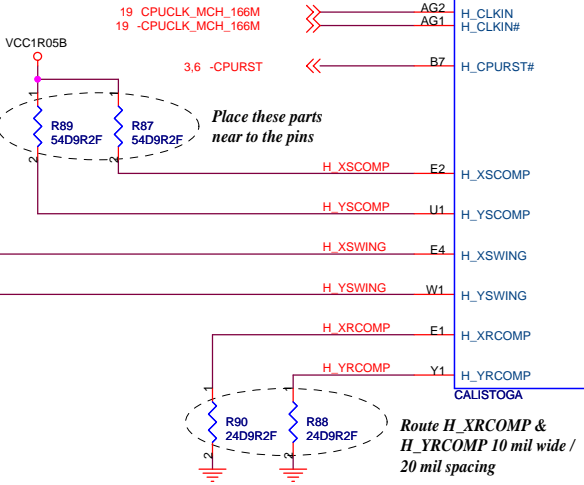
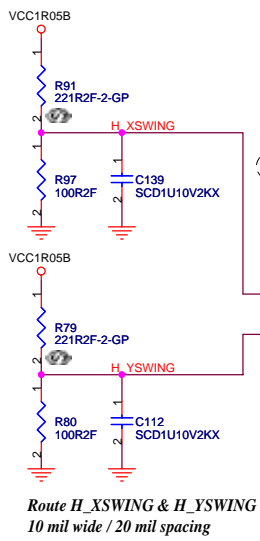
Title **VCCCPUCORE DECOUPLING**

Size A4	Document Number <b>KS Note</b>	Rev <b>SB</b>
------------	-----------------------------------	------------------

Date: Friday, July 22, 2005 Sheet 7 of 73



**HOST**



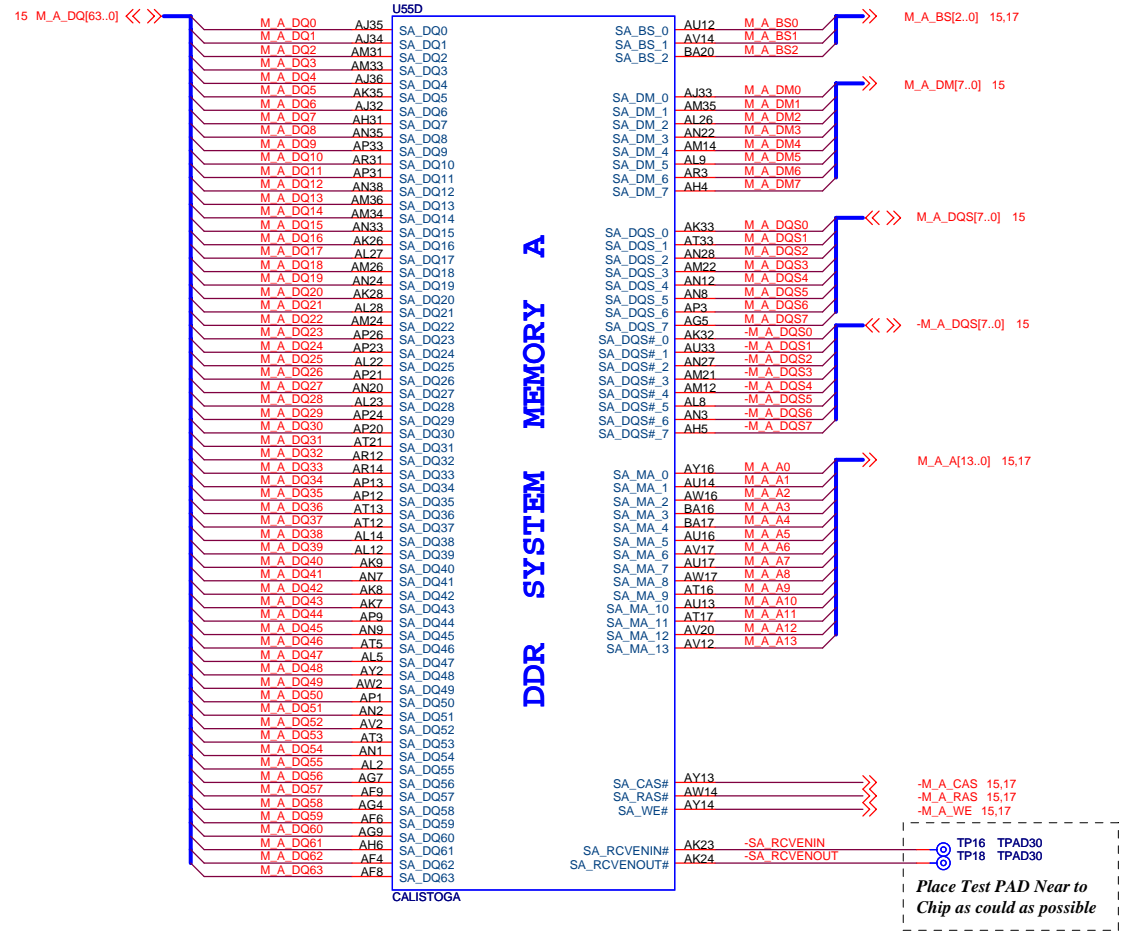
<Variant Name>

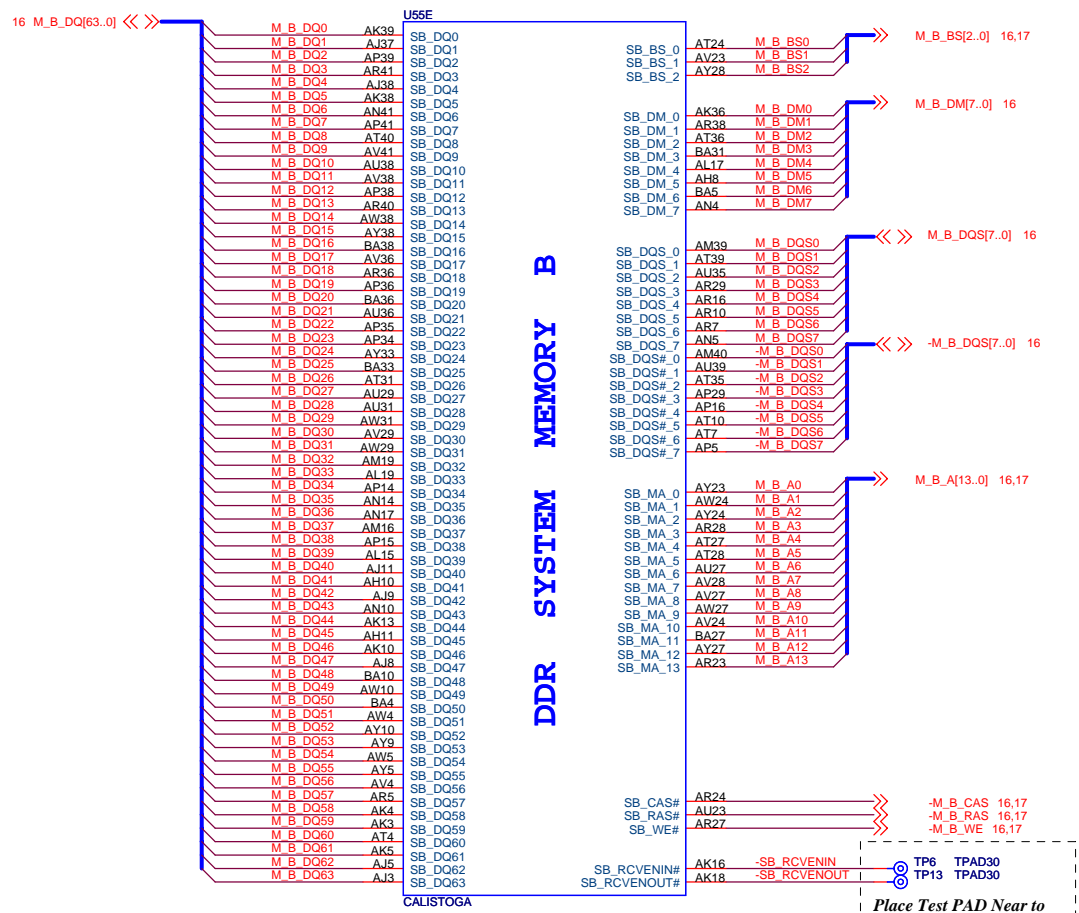
**緯創資通 Wistron Corporation**  
21F, 88, Sec.1, Hsin Tai Wu Rd., Hsichih, Taipei Hsien 221, Taiwan, R.O.C.

Title: **CALISTOGA(17):HOST I/F**

Size: A3	Document Number: <b>KS Note</b>	Rev: <b>SB</b>
Date: Friday, July 22, 2005	Sheet: 8 of 73	

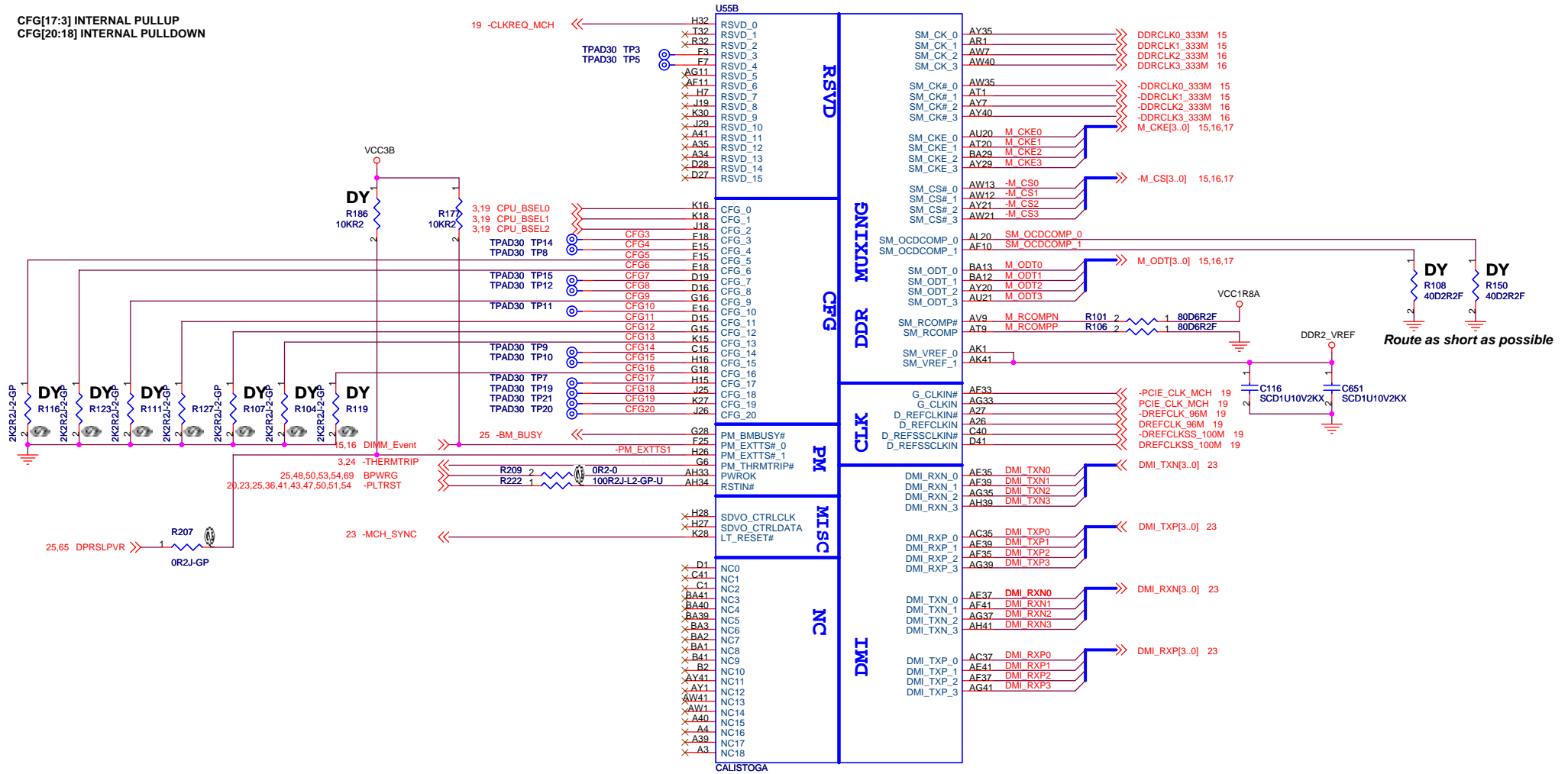






LEVEL	0	1
CFG5	DMI x2	DMI x4 (default)
CFG6	Moby Dick	Calistoga
CFG9	Reverse Lanes	Normal Operation (default)
CFG11	Calistoga	Moby Dick
CFG12	Reserved	Reserved
CFG13	Reserved	Reserved
CFG16	Dynamic ODT Disabled	Dynamic ODT Enabled (default)

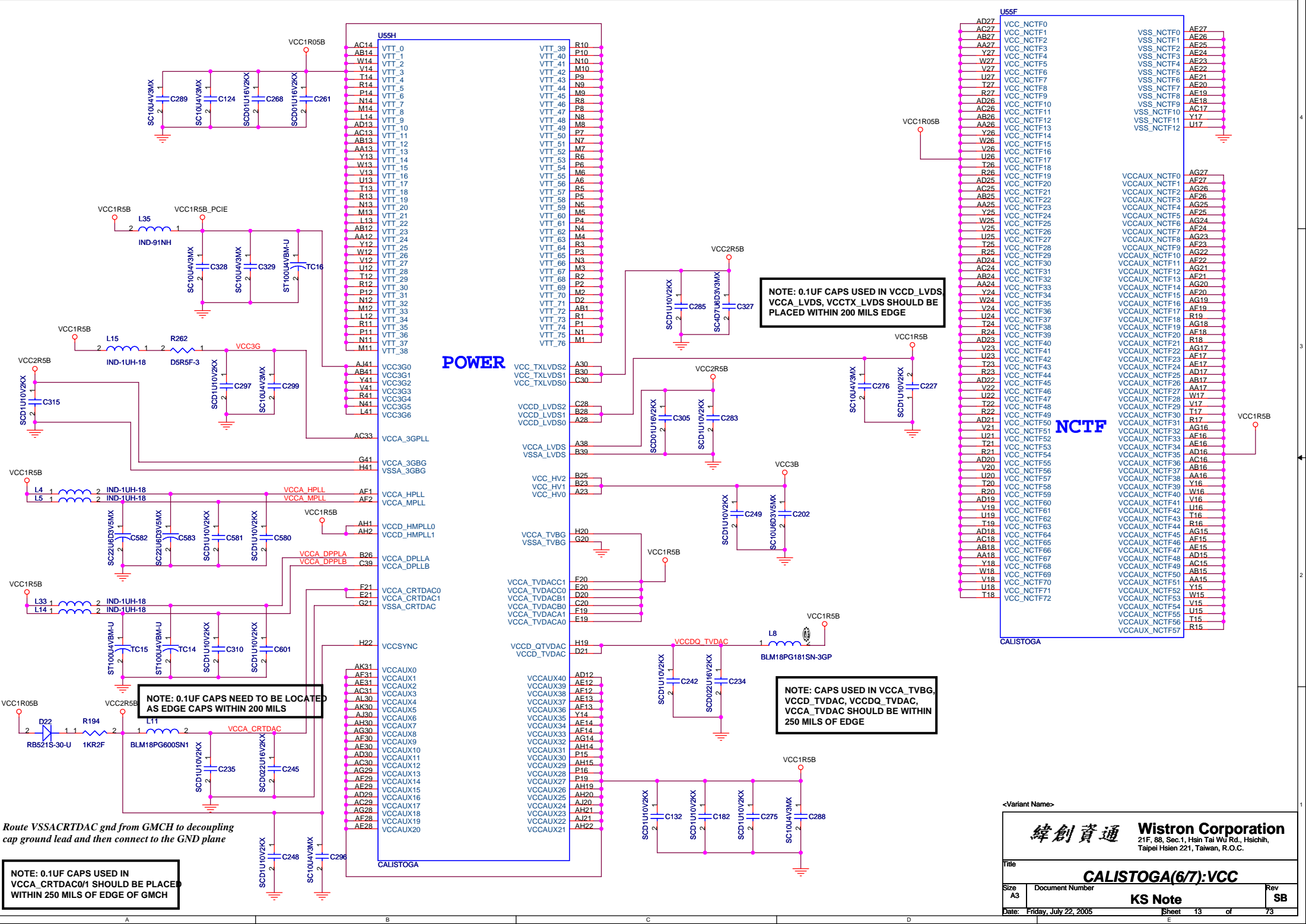
CFG[17:3] INTERNAL PULLUP  
CFG[20:18] INTERNAL PULLDOWN



<Variant Name>

<b>緯創資通</b>		<b>Wistron Corporation</b>	
21F, 88, Sec.1, Hsin Tai Wu Rd., Hsichih, Taipei Hsien 221, Taiwan, R.O.C.			
<b>CALISTOGA(47):DMI/PM/CFG</b>			
Title	Document Number	Rev	SB
Size A3	KS Note		
Date: Friday, July 22, 2005	Sheet 11 of 73		





**NOTE: 0.1UF CAPS USED IN VCCD\_LVDS  
VCCA\_LVDS, VCCTX\_LVDS SHOULD BE  
PLACED WITHIN 200 MILS EDGE**

**NOTE: CAPS USED IN VCCA\_TVBG,  
VCCD\_TVDAC, VCCDQ\_TVDAC,  
VCCA\_TVDAC SHOULD BE WITHIN  
250 MILS OF EDGE**

**NOTE: 0.1UF CAPS NEED TO BE LOCATED  
AS EDGE CAPS WITHIN 200 MILS**

**NOTE: 0.1UF CAPS USED IN  
VCCA\_CRTDAC0/1 SHOULD BE PLACED  
WITHIN 250 MILS OF EDGE OF GMCH**

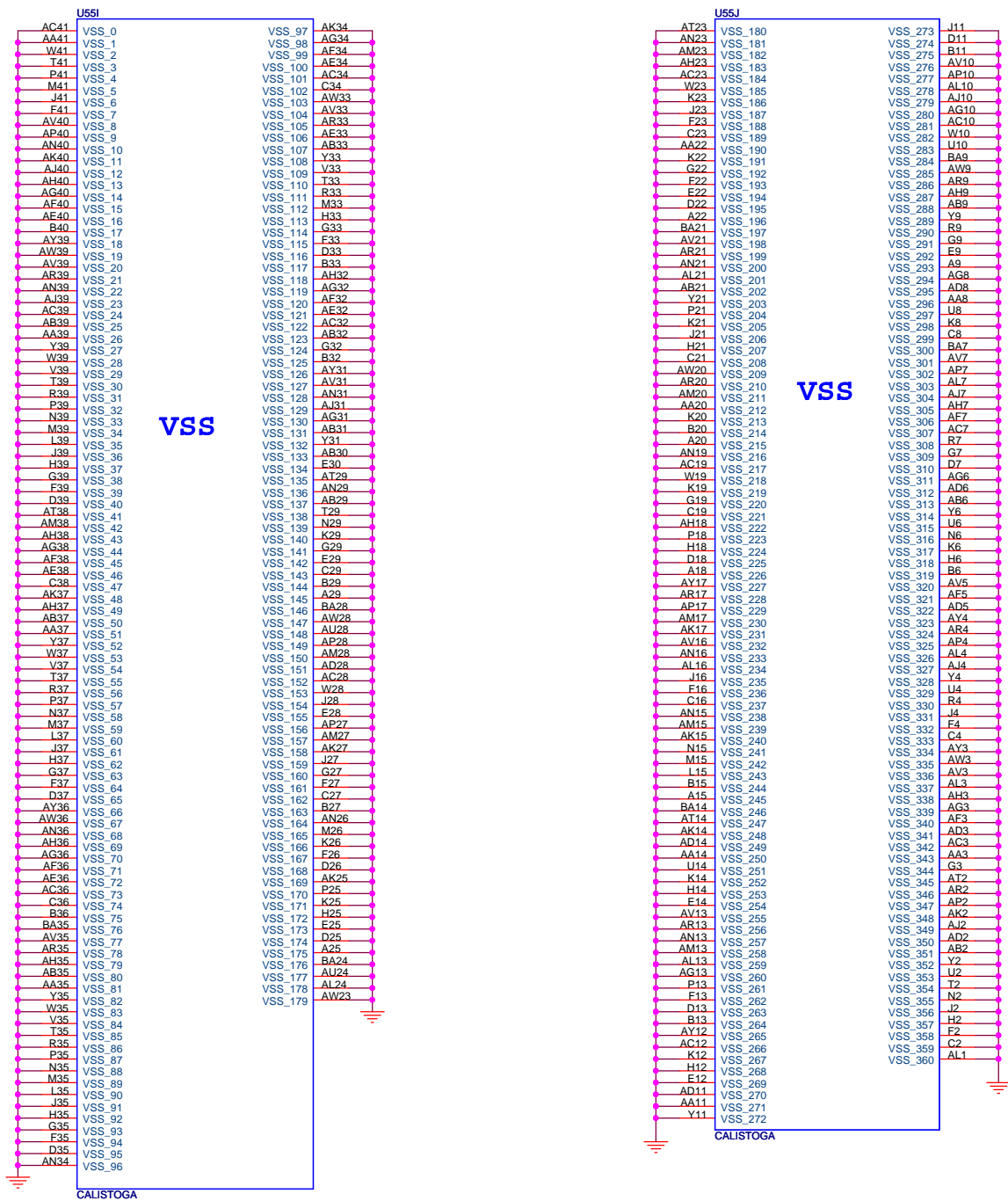
*Route VSSACRTDAC gnd from GMCH to decoupling  
cap ground lead and then connect to the GND plane*

<Variant Name>

**緯創資通 Wistron Corporation**  
21F, 88, Sec. 1, Hsin Tai Wu Rd., Hsichih,  
Taipei Hsien 221, Taiwan, R.O.C.

Title		<b>CALISTOGA(6/7):VCC</b>	
Size	Document Number	Rev	
A3		SB	
Date:	Friday, July 22, 2005	Sheet	13 of 73

**KS Note**

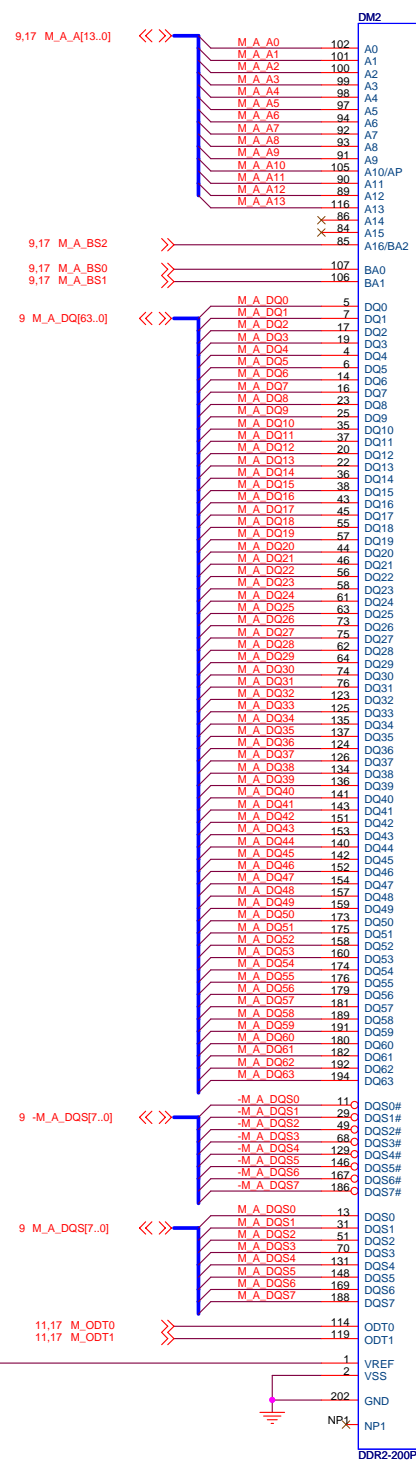


<Variant Name>

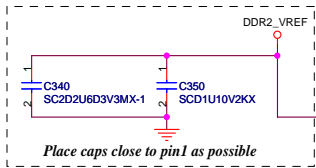
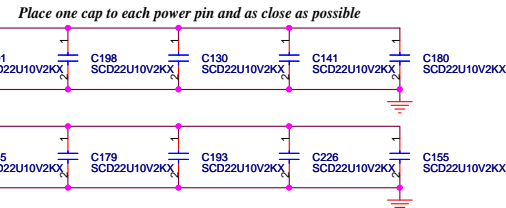
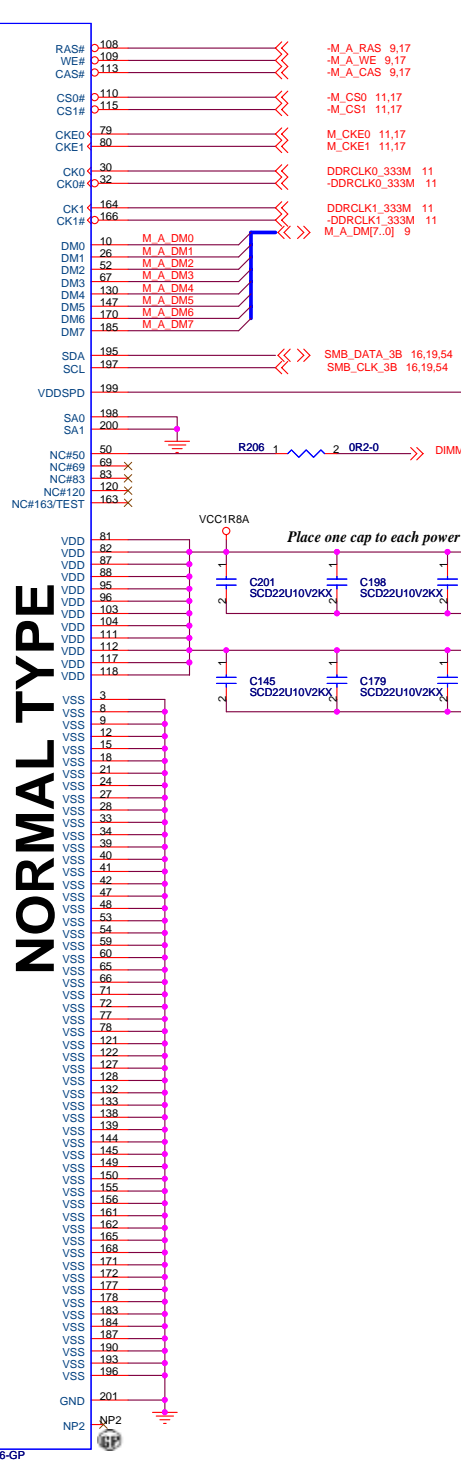
**緯創資通 Wistron Corporation**  
 21F, 88, Sec.1, Hsin Tai Wu Rd., Hsichih,  
 Taipei Hsien 221, Taiwan, R.O.C.

Title: **CALISTOGA(7/7):GND**

Size: A3	Document Number: <b>KS Note</b>	Rev: <b>SB</b>
Date: Friday, July 22, 2005	Sheet: 14 of 73	

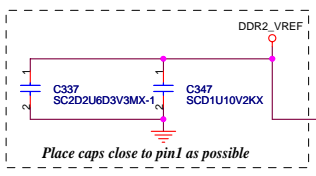
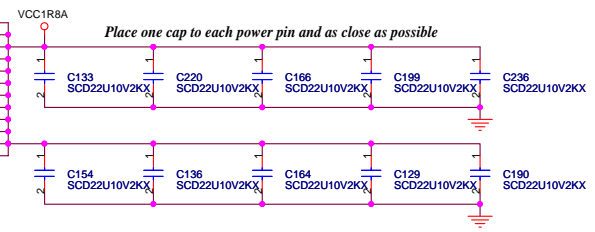
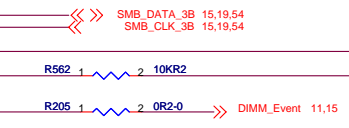
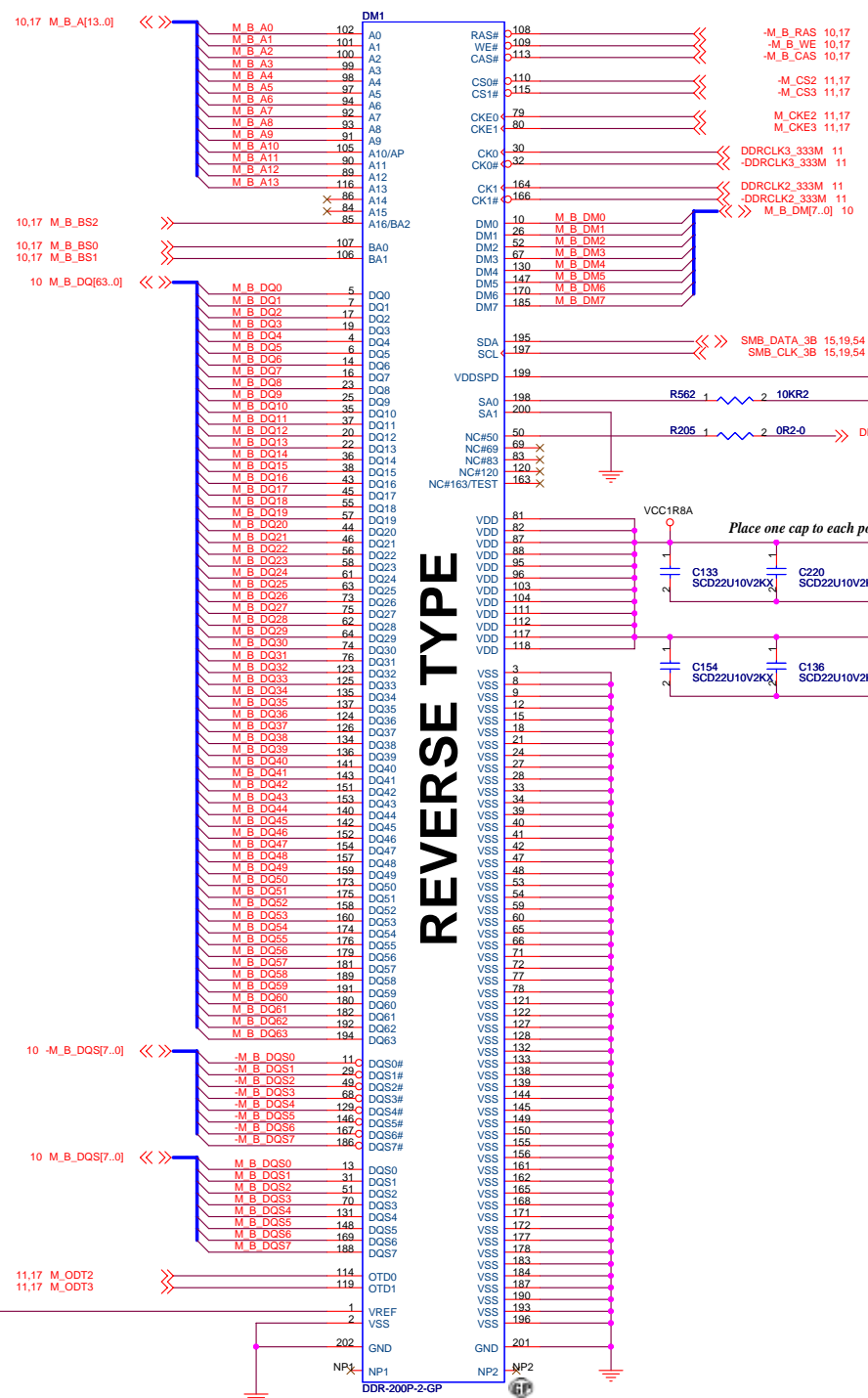


NORMAL TYPE



<-Variant Name>

<b>緯創資通</b>		<b>Wistron Corporation</b>	
		21F, 88, Sec.1, Hsin Tai Wu Rd., Hsichih, Taipei Hsien 221, Taiwan, R.O.C.	
<b>Title</b>			
<b>DDR2 SODIMM-A (NORMAL TYPE)</b>			
Size	Document Number	Rev	SB
Custom	<b>KS Note</b>		
Date: Friday, July 22, 2005	Sheet 15	of	73



<Variant Name>

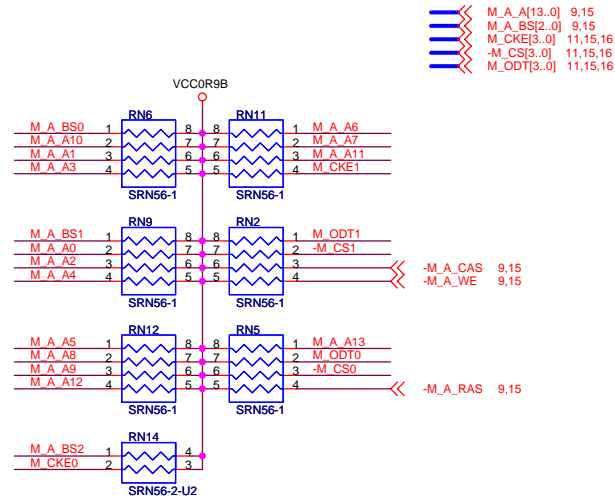
**緯創資通** **Wistron Corporation**  
 21F, 88, Sec.1, Hsin Tai Wu Rd., Hsichih,  
 Taipei Hsien 221, Taiwan, R.O.C.

Title: **DDR2 SODIMM-B (REVERSE TYPE)**

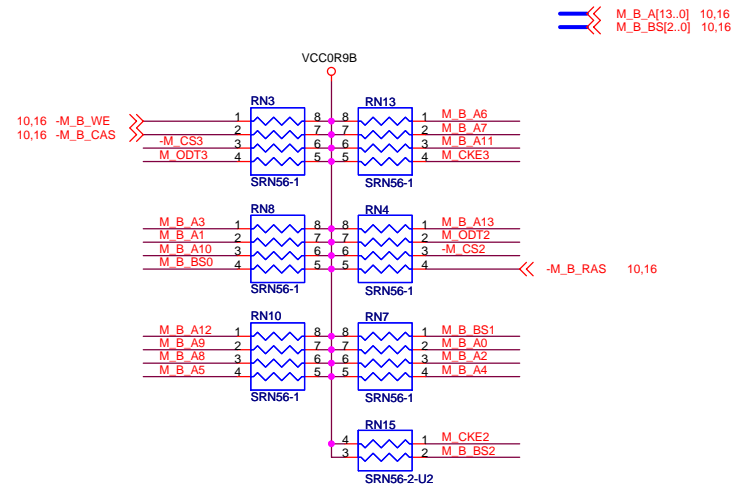
Size	Document Number	Rev
Custom	<b>KS Note</b>	<b>SB</b>
Date: Friday, July 22, 2005	Sheet 16 of 73	



## CHANNEL A PARALLEL TERMINATION



## CHANNEL B PARALLEL TERMINATION



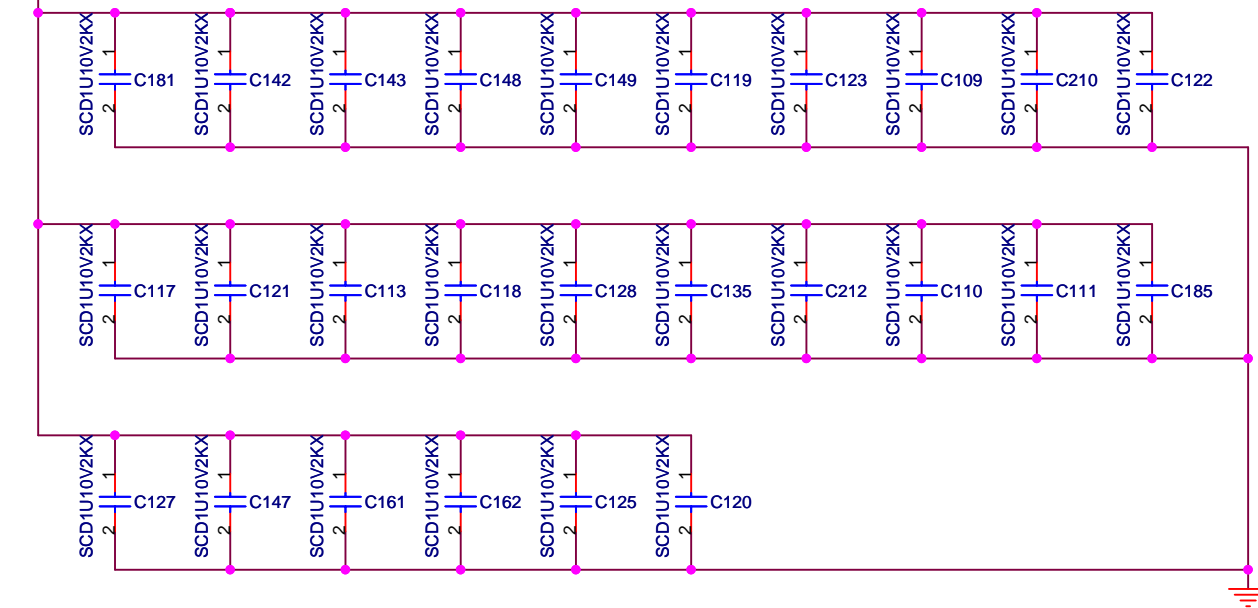
<Variant Name>

**緯創資通** Wistron Corporation  
 21F, 88, Sec.1, Hsin Tai Wu Rd., Hsichih,  
 Taipei Hsien 221, Taiwan, R.O.C.

Title		<b>DDR-2 TERMINATION</b>	
Size	Document Number	Rev	SB
A3		KS Note	
Date:	Friday, July 22, 2005	Sheet	17 of 73

VCC0R9B

***PLACE 1 CAP FOR EVERY 2 BITS TERMINATION TO VCC0R9B.***



<Variant Name>

緯創資通

**Wistron Corporation**

21F, 88, Sec.1, Hsin Tai Wu Rd., Hsichih,  
Taipei Hsien 221, Taiwan, R.O.C.

Title

**DDR-2 DECOUPLING**

Size  
A4

Document Number

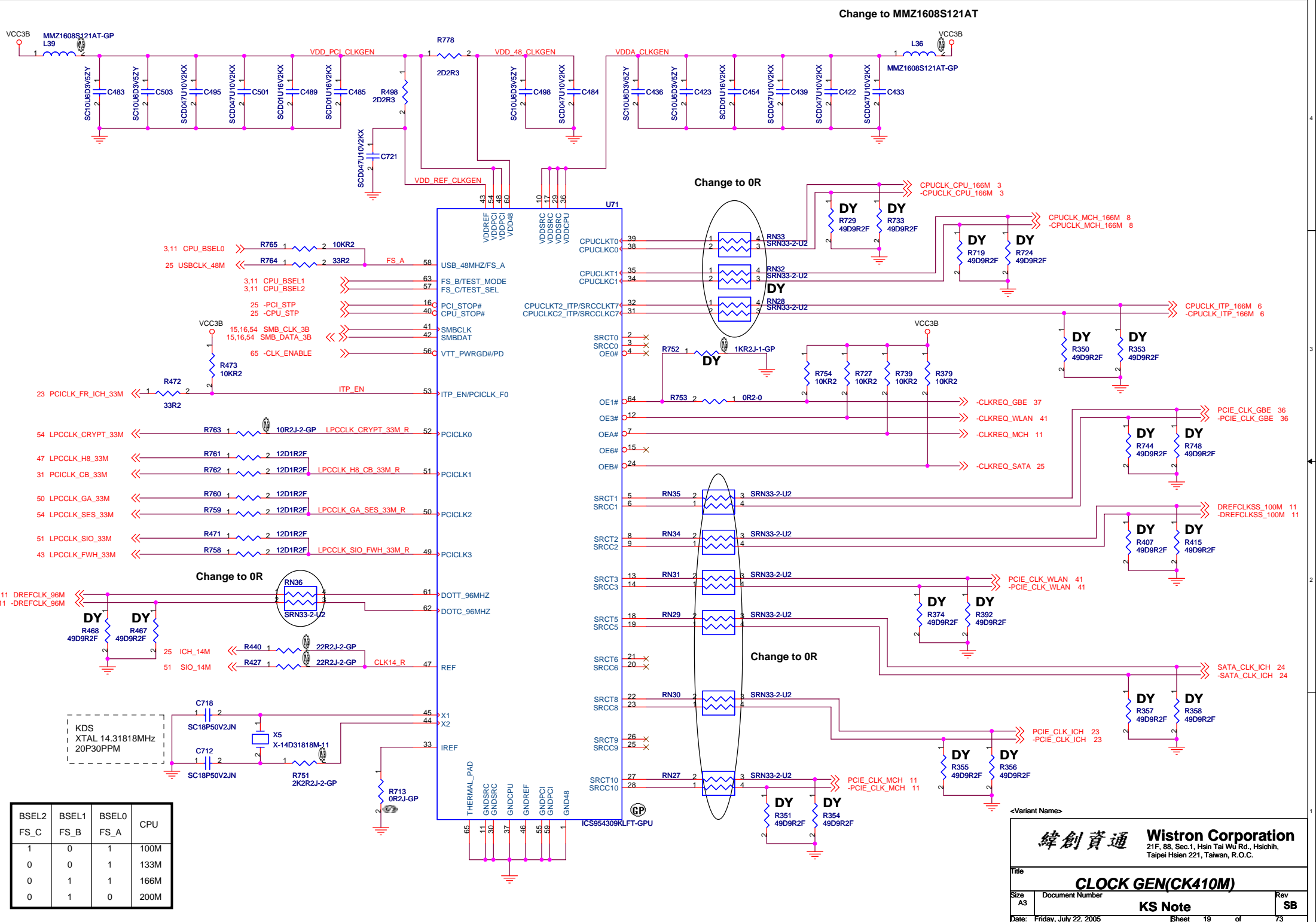
**KS Note**

Rev  
**SB**

Date: Friday, July 22, 2005

Sheet 18 of

73



BSEL2	BSEL1	BSEL0	CPU
FS_C	FS_B	FS_A	
1	0	1	100M
0	0	1	133M
0	1	1	166M
0	1	0	200M

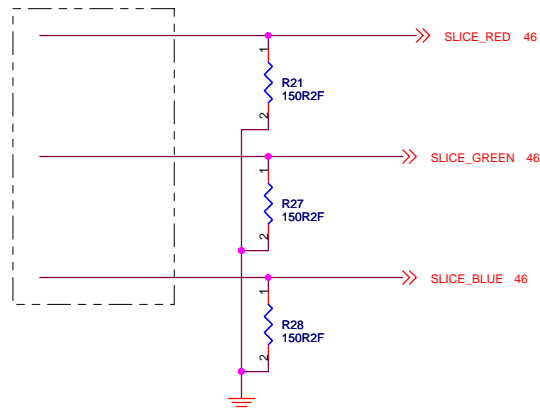
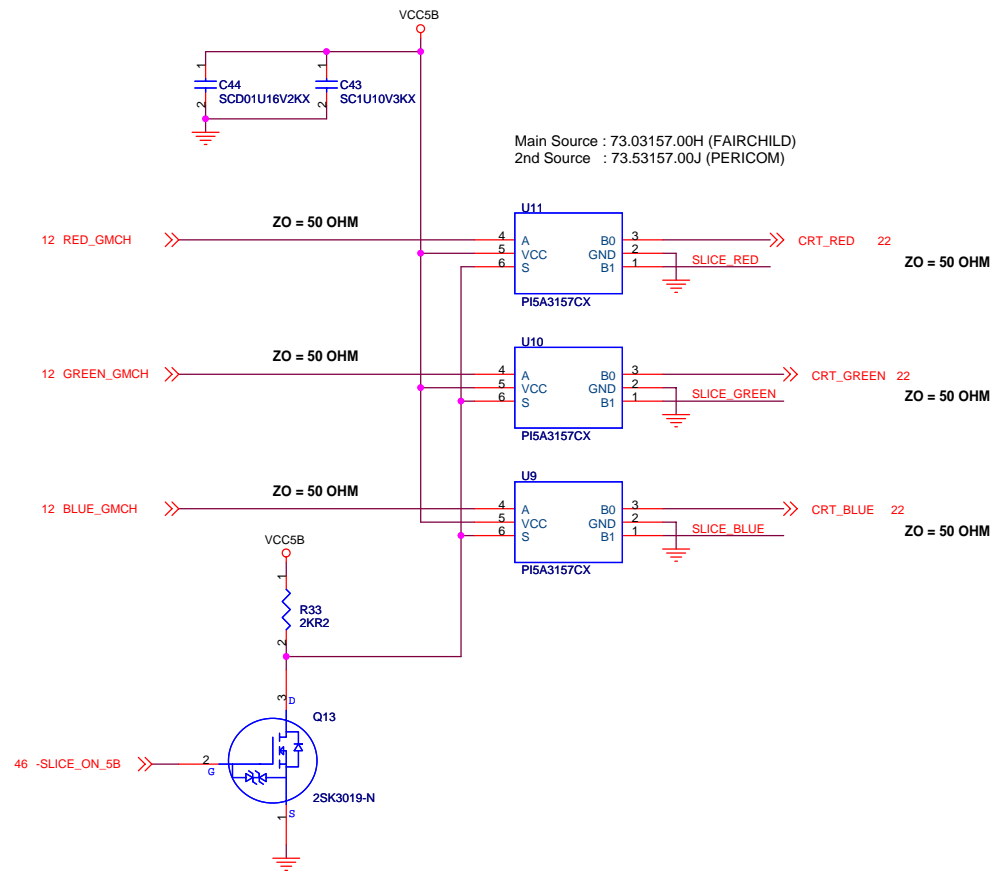
<Variant Name>

**緯創資通 Wistron Corporation**  
21F, 88, Sec. 1, Hsin Tai Wu Rd., Hsichih,  
Taipei Hsien 221, Taiwan, R.O.C.

Title: **CLOCK GEN(CK410M)**

Size A3	Document Number	Rev SB
Date: Friday, July 22, 2005	Sheet 19 of 73	





--- ZQ=50.OHM ---

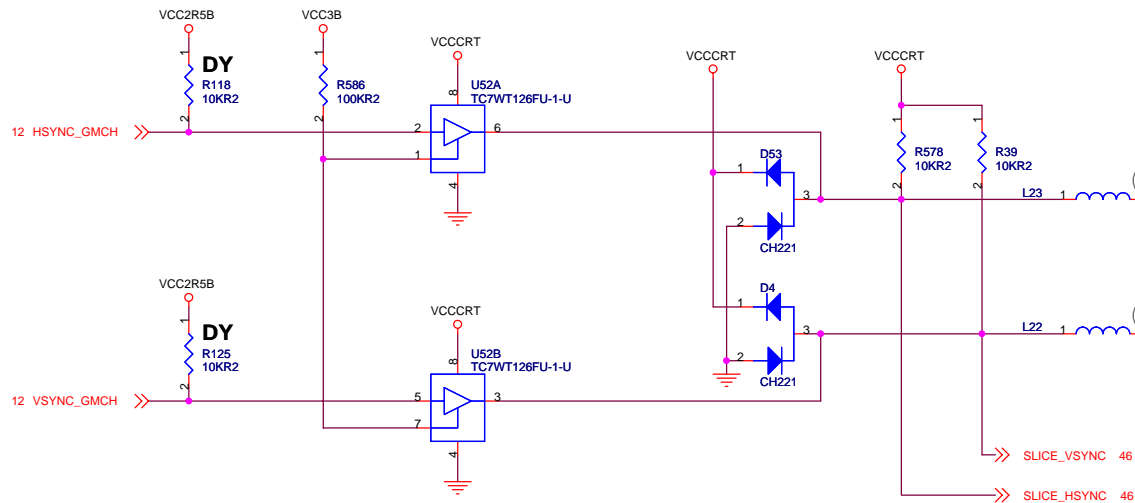
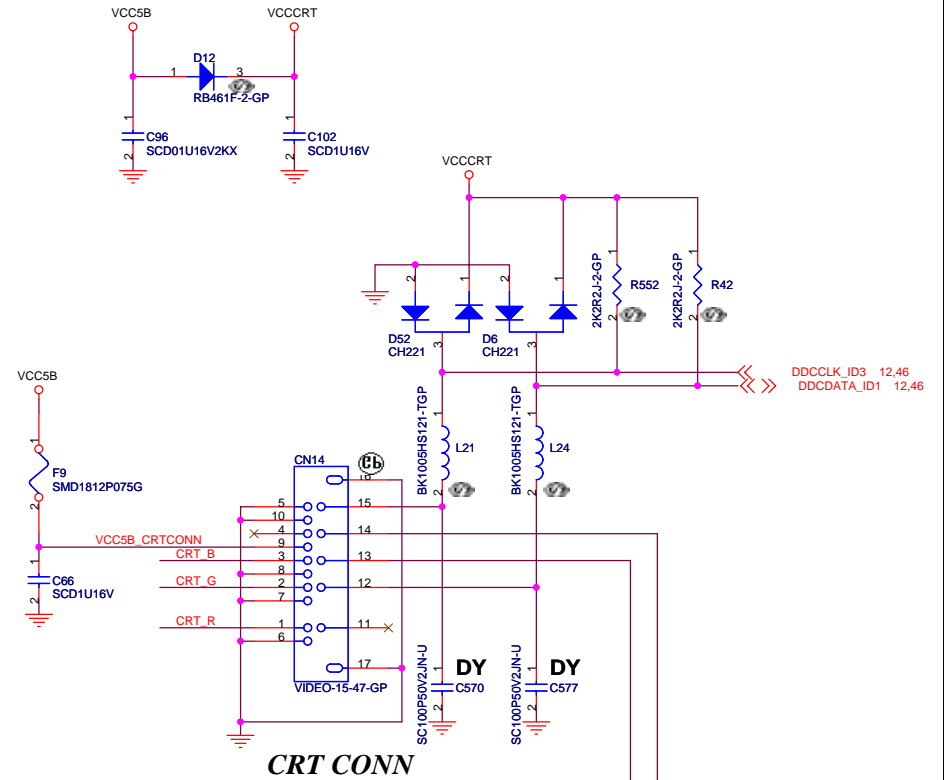
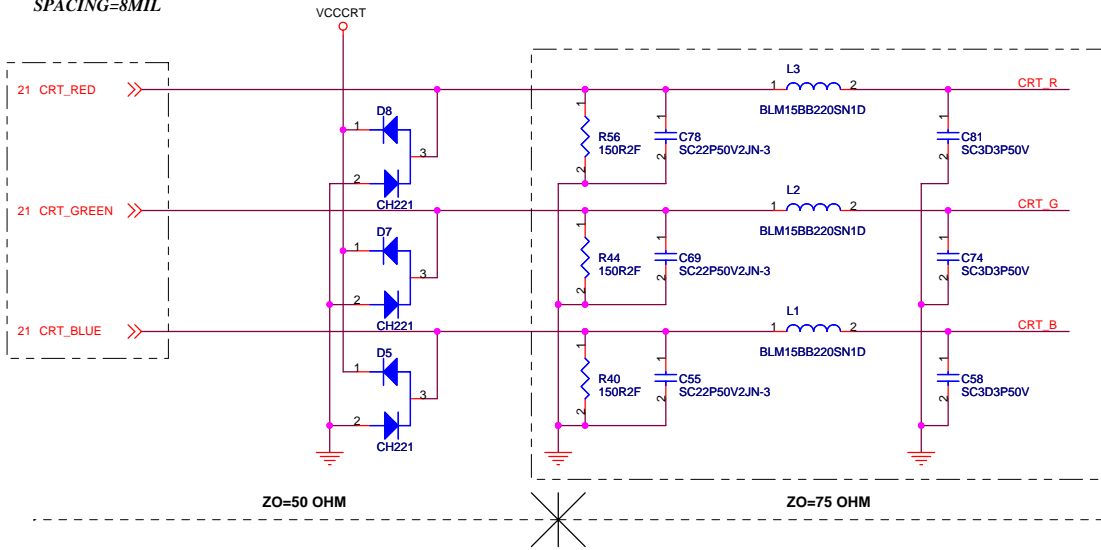
--- ZQ=75 OHM ---

<Variant Name>

**緯創資通** **Wistron Corporation**  
21F, 88, Sec.1, Hsin Tai Wu Rd., Hsichih,  
Taipei Hsien 221, Taiwan, R.O.C.

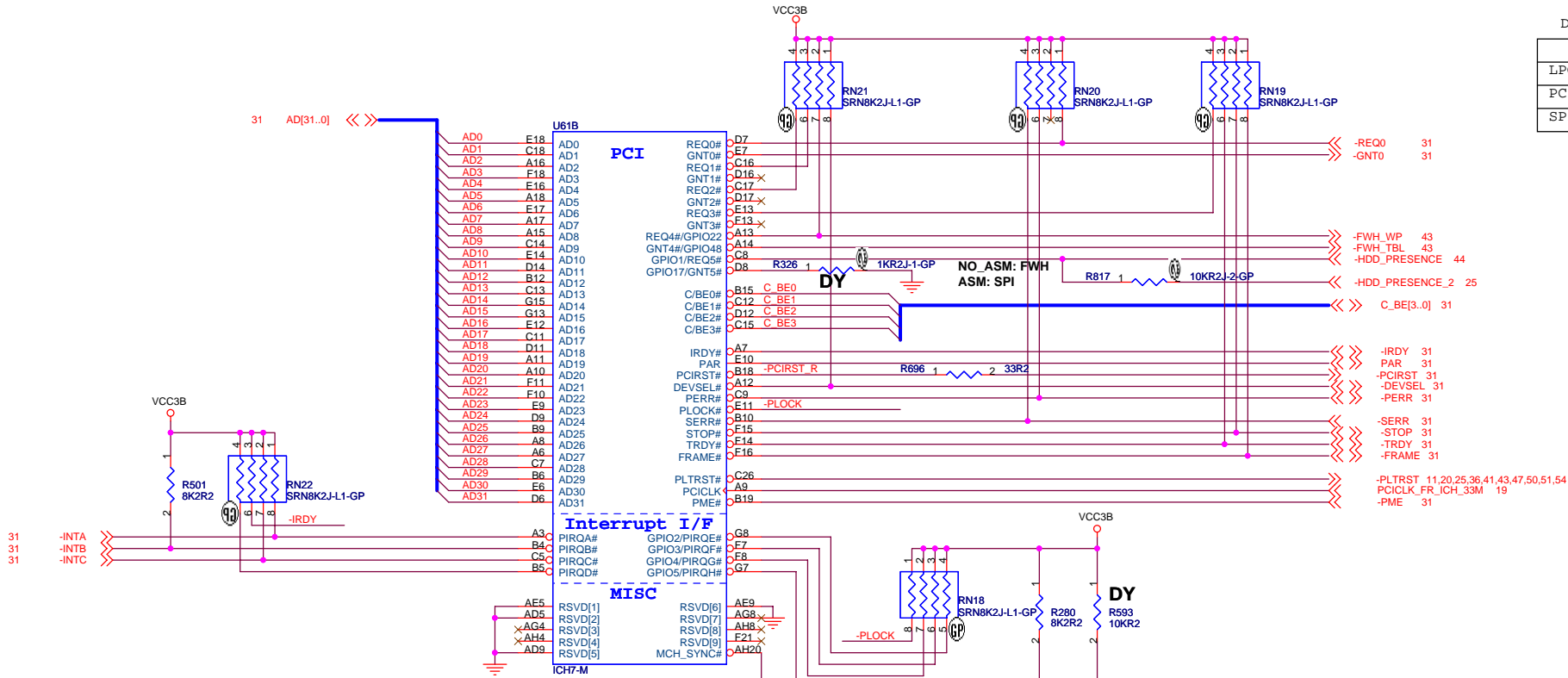
Title		
<b>CRT SELECTOR</b>		
Size A3	Document Number <b>KS Note</b>	Rev <b>SB</b>
Date: Friday, July 22, 2005	Sheet 21 of	73

GND GUARDING  
 EACH SIGNAL WIDTH DEPENDS ON ZO(TRACE IMPEDANCE)  
 SPACING=8MIL

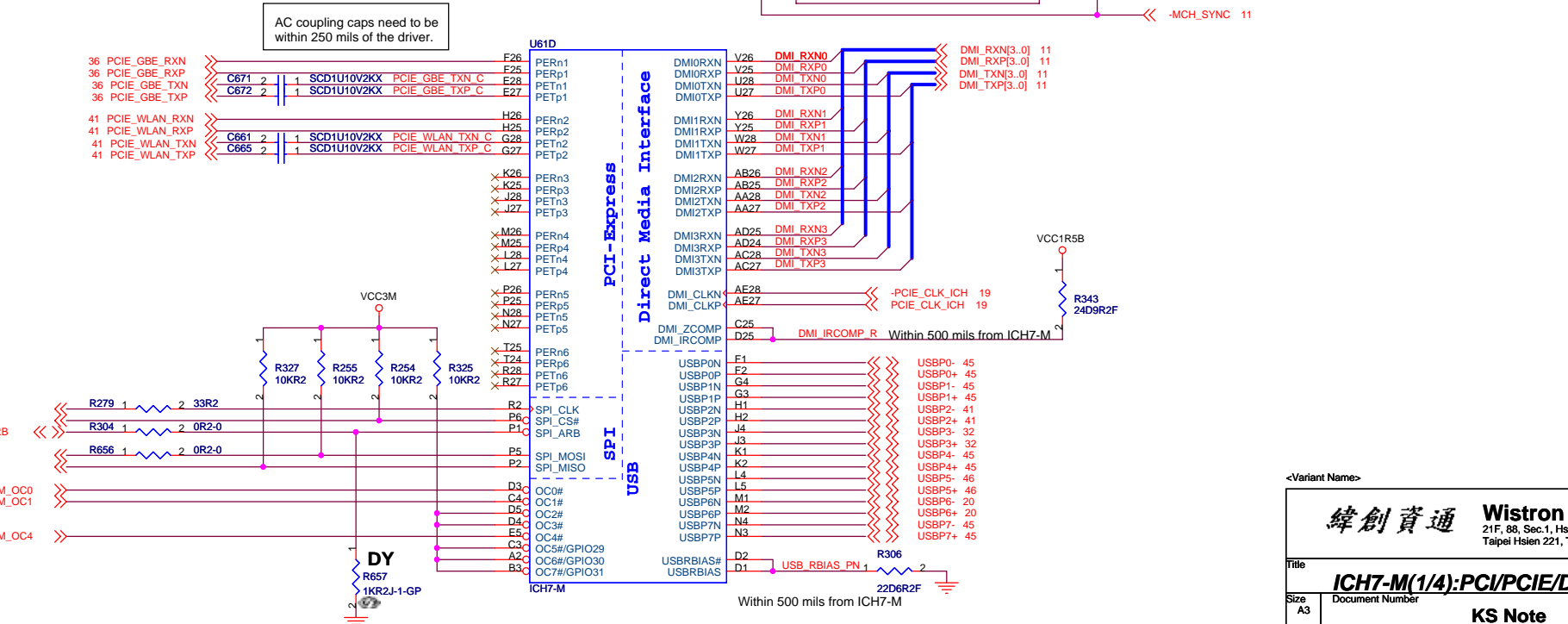


Default: H

	GNT5#	GNT4#
LPC	H	H
PCI	H	L
SPI	L	H



AC coupling caps need to be within 250 mils of the driver.



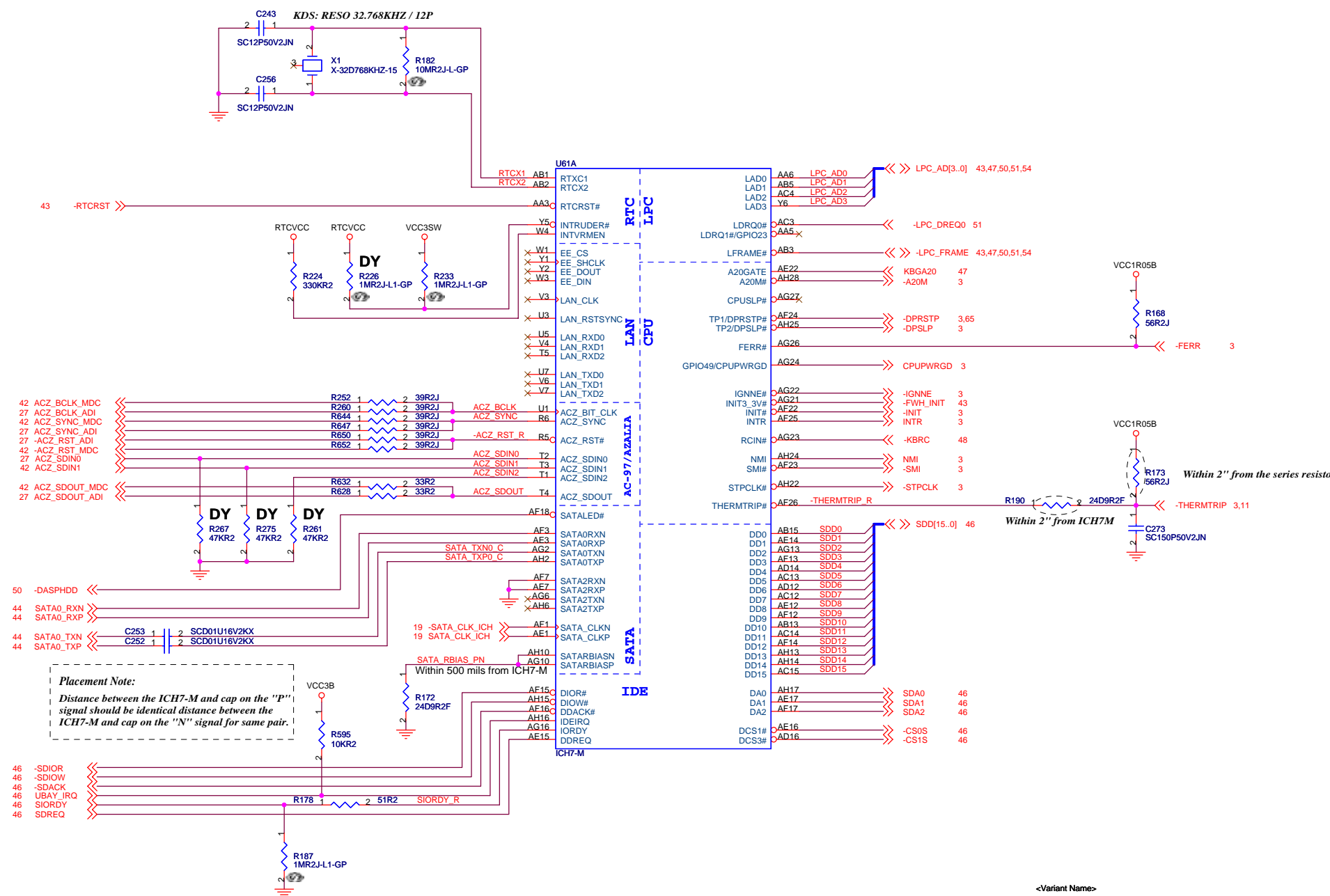
<Variant Name>

**緯創資通 Wistron Corporation**  
21F, 88, Sec.1, Hsin Tai Wu Rd., Hsichih, Taipei Hsien 221, Taiwan, R.O.C.

Title: **ICH7-M(1/4):PCI/PCIE/DMI/USB/SPI**

Size A3 Document Number **KS Note** Rev **SB**

Date: Friday, July 22, 2005 Sheet 23 of 73



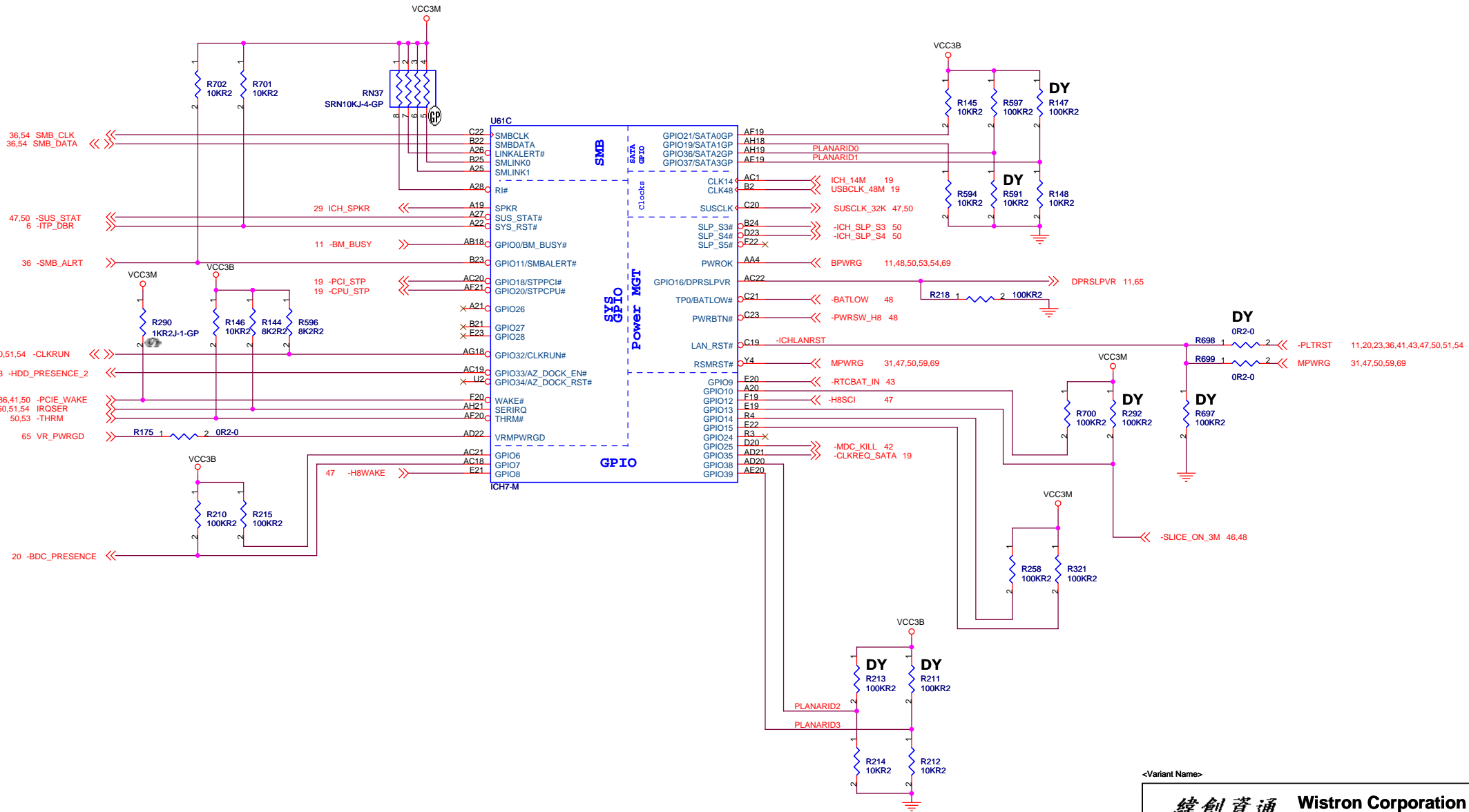
<Variant Name>

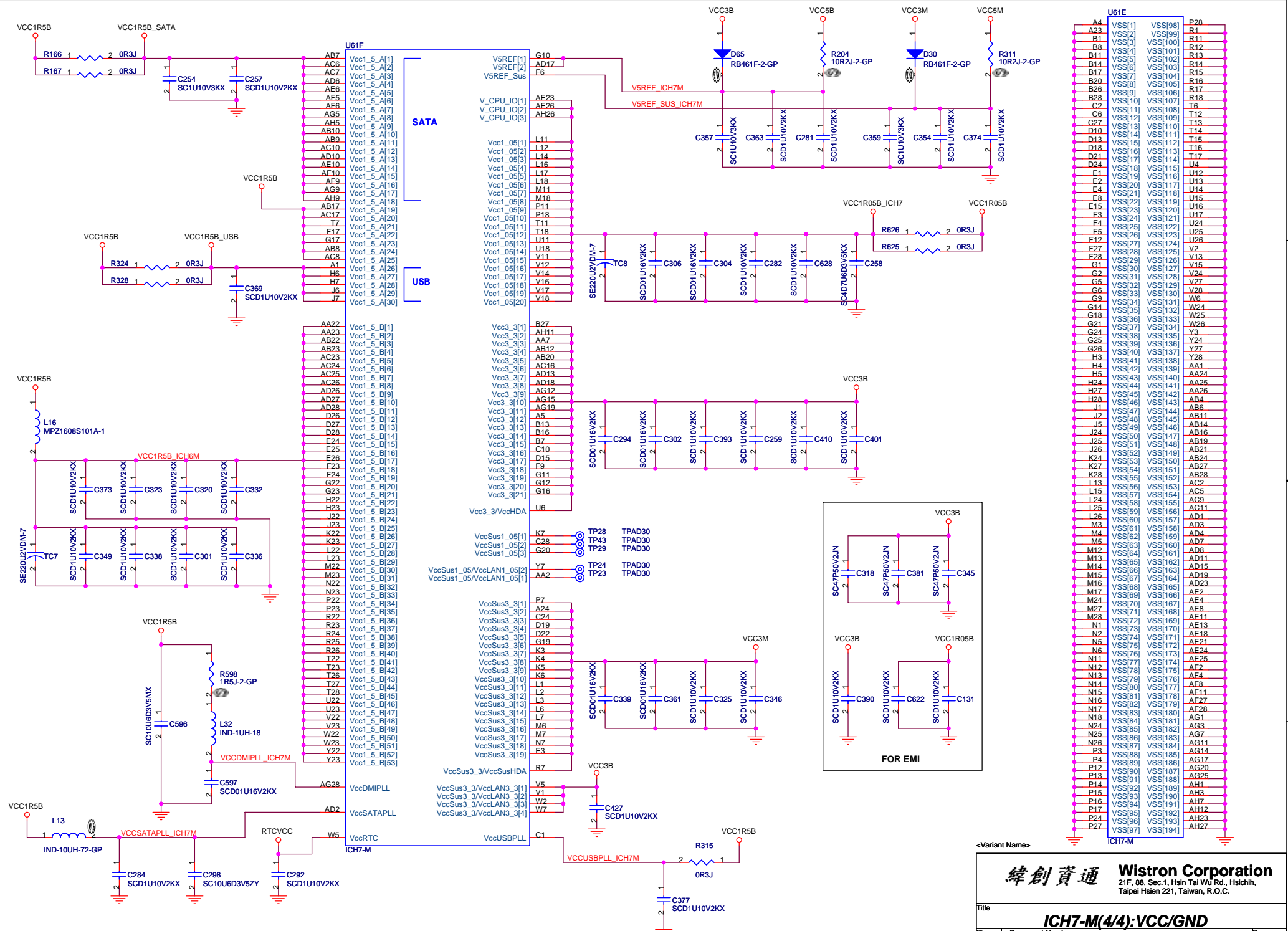
**緯創資通 Wistron Corporation**  
21F, 88, Sec. 1, Hsin Tai Wu Rd., Hsichih, Taipei Hsien 221, Taiwan, R.O.C.

Title: **ICH7-M(2/4):ATA/AC97/LPC**

Size A3	Document Number	Rev SB
Date: Friday, July 22, 2005	KS Note	Sheet 24 of 73







U61E		
A4	VSS[1]	P28
A23	VSS[2]	R1
B1	VSS[3]	R11
B8	VSS[4]	R12
B11	VSS[5]	R13
B14	VSS[6]	R14
B17	VSS[7]	R15
B26	VSS[8]	R17
B28	VSS[9]	R18
C2	VSS[10]	T6
C6	VSS[12]	T12
C27	VSS[13]	T13
D10	VSS[14]	T14
D18	VSS[15]	T16
D21	VSS[16]	T17
D24	VSS[18]	U4
E1	VSS[19]	U12
E2	VSS[20]	U13
E4	VSS[21]	U14
E8	VSS[22]	U15
E15	VSS[23]	U16
F3	VSS[24]	U17
F4	VSS[25]	U24
F5	VSS[26]	U25
F12	VSS[27]	U26
F28	VSS[28]	U2
F28	VSS[29]	V13
G1	VSS[29]	V15
G2	VSS[30]	V24
G5	VSS[31]	V27
G6	VSS[32]	V28
G9	VSS[33]	W5
G14	VSS[34]	W24
G18	VSS[35]	W25
G21	VSS[36]	W26
G24	VSS[37]	Y3
G25	VSS[38]	Y24
G26	VSS[39]	Y27
H3	VSS[40]	Y28
H4	VSS[41]	AA1
H5	VSS[42]	AA24
H24	VSS[43]	AA25
H27	VSS[44]	AA26
H28	VSS[45]	AB4
J1	VSS[47]	AB6
J2	VSS[48]	AB11
J5	VSS[48]	AB14
J24	VSS[49]	AB16
J25	VSS[50]	AB19
J26	VSS[51]	AB21
K24	VSS[52]	AB24
K27	VSS[53]	AB27
K28	VSS[54]	AB28
L13	VSS[55]	AC2
L15	VSS[56]	AC5
L24	VSS[57]	AC9
L25	VSS[58]	AC11
L26	VSS[59]	AD3
M3	VSS[60]	AD4
M4	VSS[61]	AD7
M5	VSS[62]	AD8
M13	VSS[64]	AD11
M14	VSS[65]	AD15
M15	VSS[66]	AD19
M16	VSS[67]	AD23
M17	VSS[68]	AE2
M24	VSS[70]	AE4
M27	VSS[71]	AE8
M28	VSS[72]	AE11
N1	VSS[73]	AE13
N2	VSS[74]	AE18
N5	VSS[74]	AE21
N6	VSS[75]	AE24
N11	VSS[77]	AE25
N12	VSS[78]	AE2
N13	VSS[79]	AF4
N14	VSS[80]	AF7
N15	VSS[80]	AF11
N16	VSS[81]	AF27
N17	VSS[82]	AF28
N18	VSS[84]	AG1
N24	VSS[85]	AG3
N25	VSS[86]	AG7
N26	VSS[86]	AG11
P3	VSS[87]	AG14
P4	VSS[88]	AG17
P12	VSS[90]	AG20
P13	VSS[91]	AG25
P14	VSS[92]	AH1
P15	VSS[93]	AH3
P16	VSS[93]	AH7
P17	VSS[94]	AH12
P24	VSS[95]	AH23
P27	VSS[96]	AH27
P27	VSS[97]	ICH7-M

Wistron Corporation  
 21F, 88, Sec. 1, Hsin Tai Wu Rd., Hsichih, Taipei Hsien 221, Taiwan, R.O.C.

File: **ICH7-M(4/4):VCC/GND**

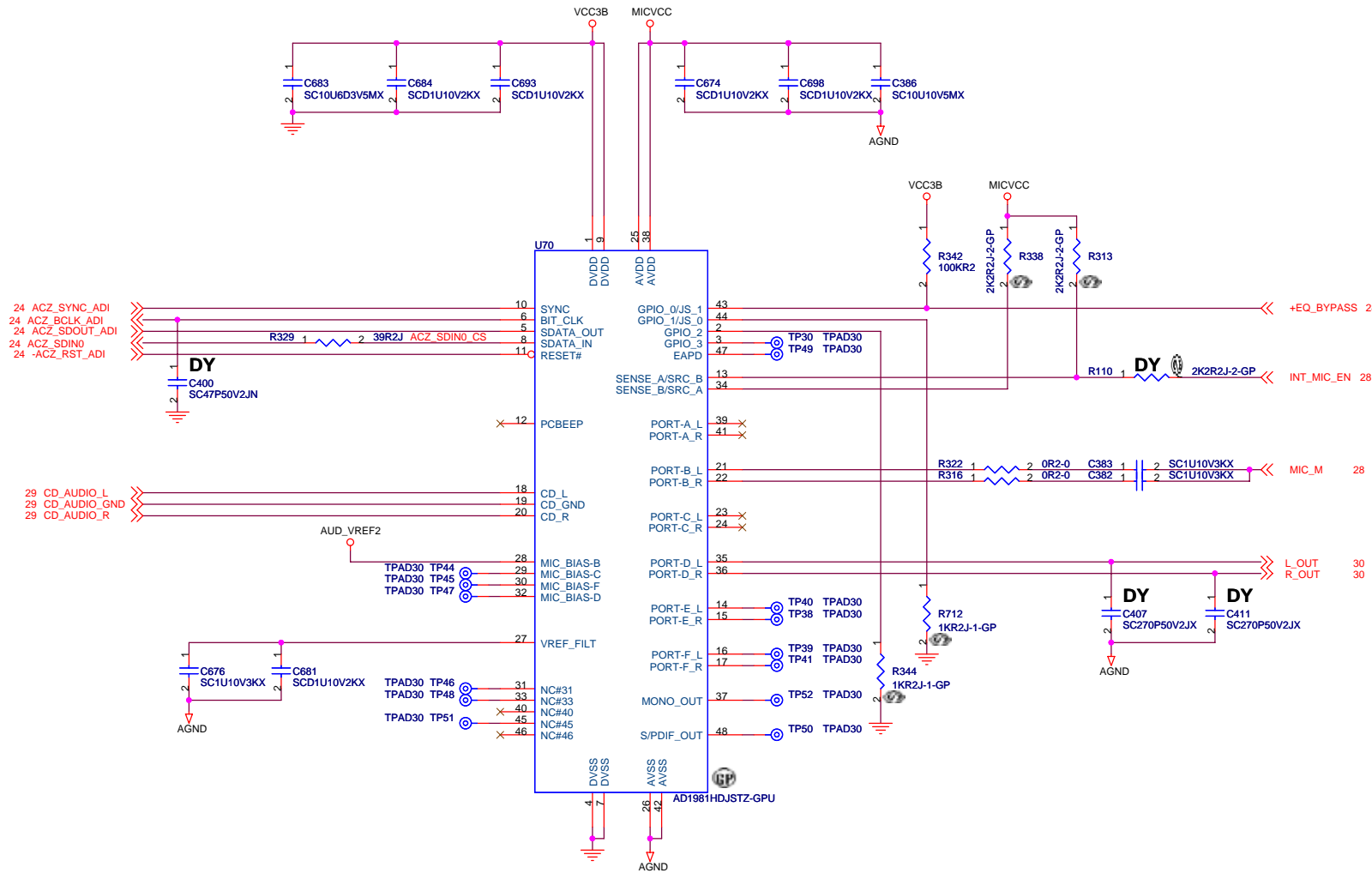
Size: A3 Document Number: **KS Note** Rev: **SB**

Date: Friday, July 22, 2005 Sheet: 26 of 73

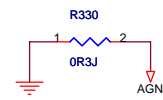
EACH NC PIN MUST HAVE TEST POINT PAD.

NC PIN LIST: PIN 3, 14, 15, 29, 31, 32, 33, 35,  
PIN 36, 37, 43, 45, 47, 48

PIN 35 AND 36 ARE NOT NC PIN



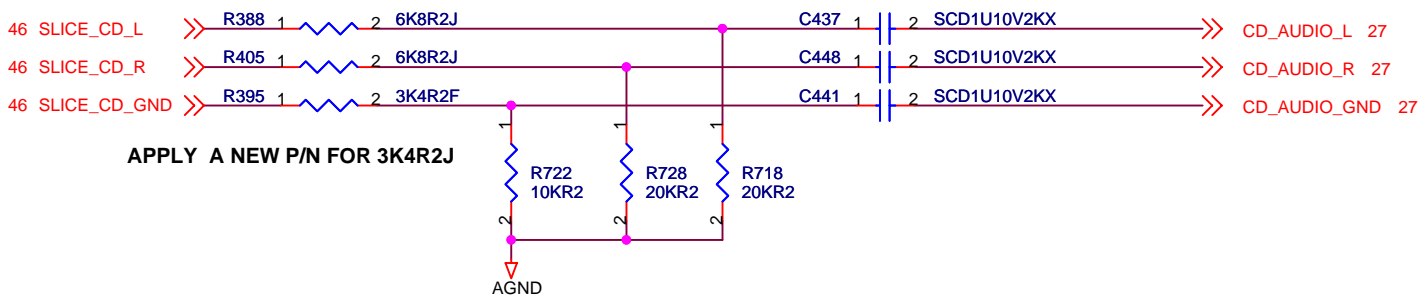
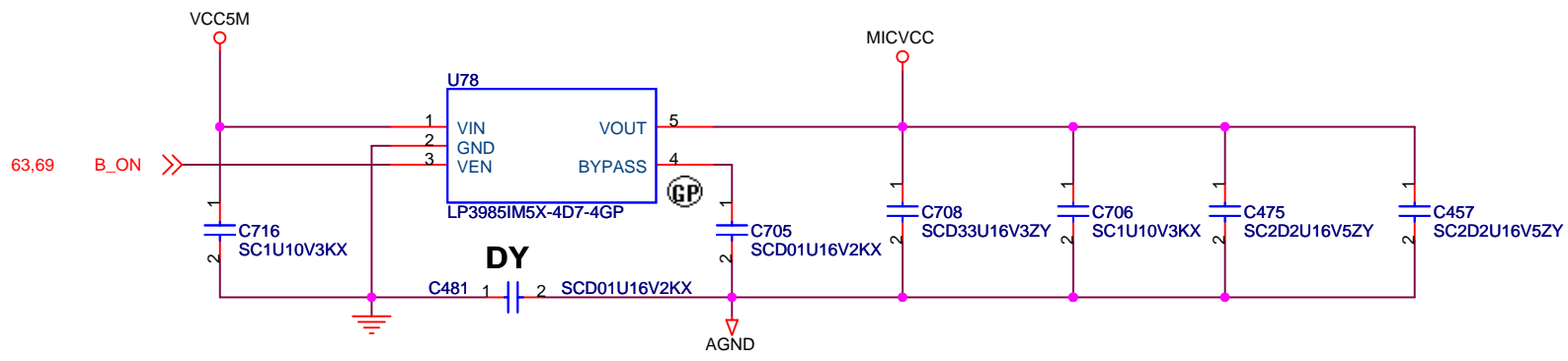
PLACE UNDER AD1981HD



<Variant Name>

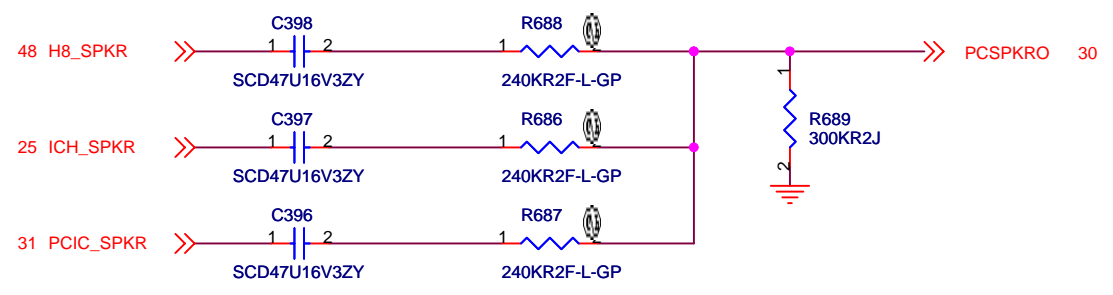
 <b>Wistron Corporation</b> 21F, 88, Sec.1, Hsin Tai Wu Rd., Hsichih, Taipei Hsien 221, Taiwan, R.O.C.	
<b>AUDIO AD1981HDJSTZ</b>	
<b>KS Note</b>	
Title Size A3 Date: Friday, July 22, 2005	Document Number Sheet 27 of 73
Rev <b>SB</b>	



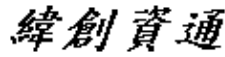


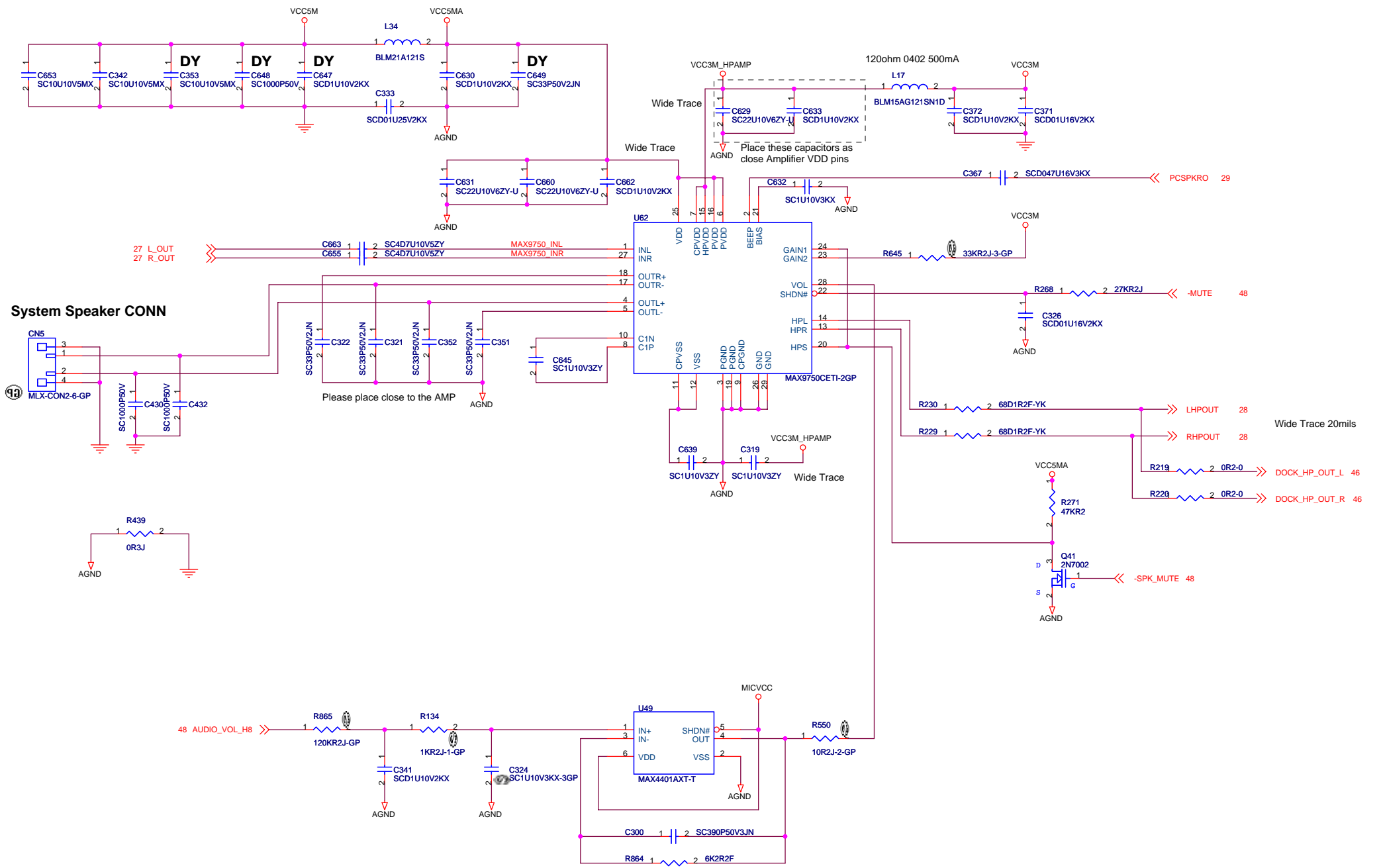
APPLY A NEW P/N FOR 3K4R2J

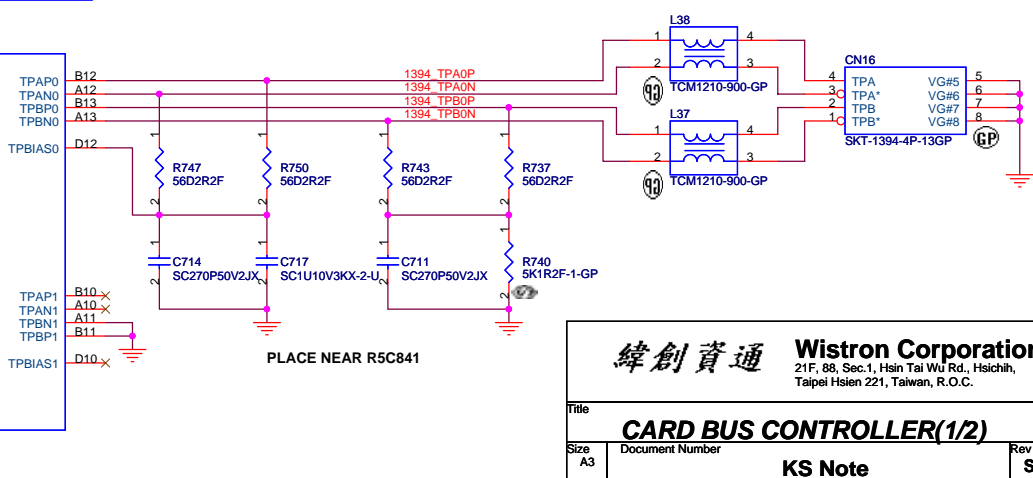
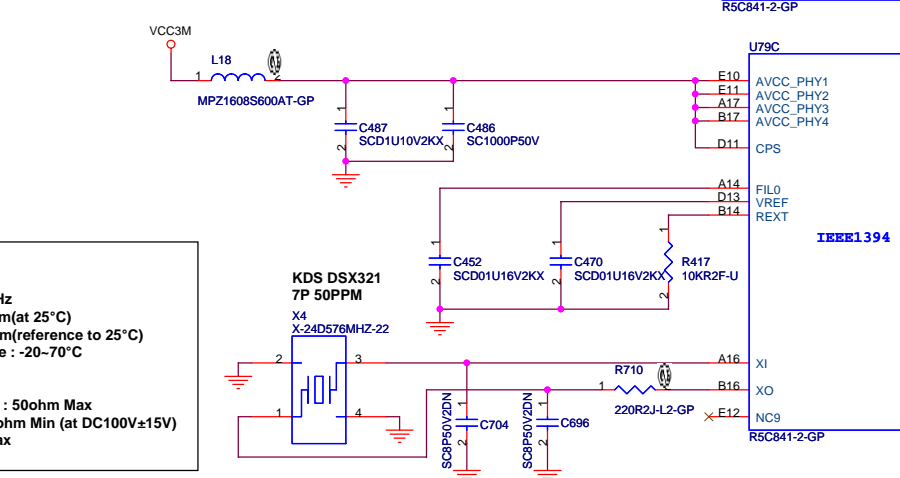
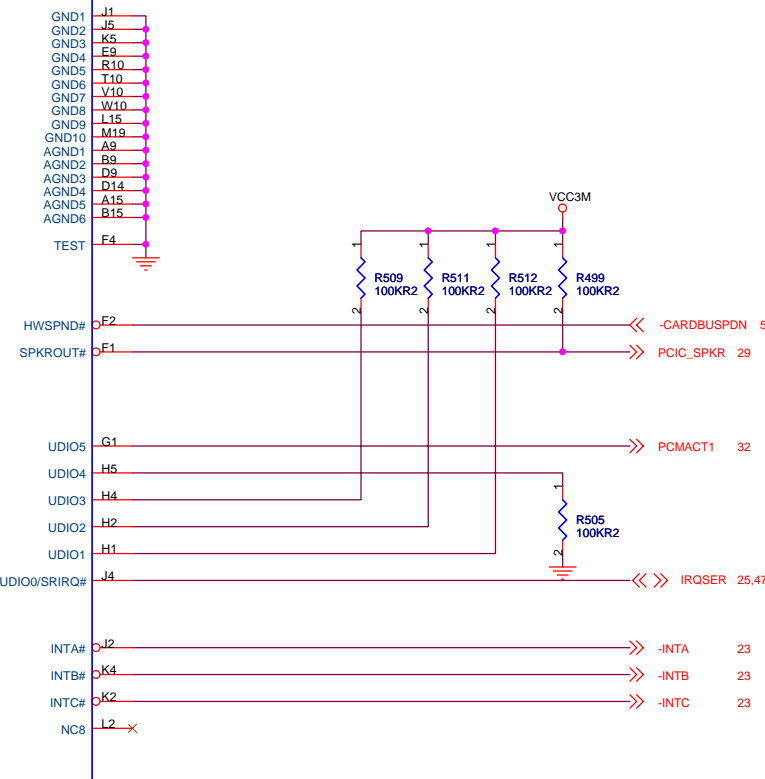
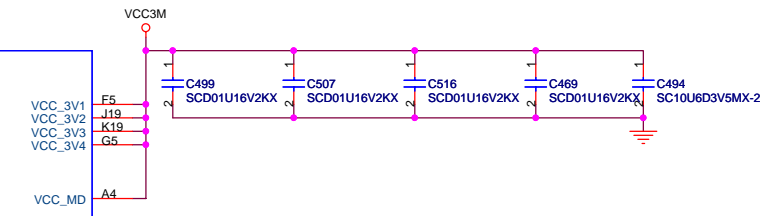
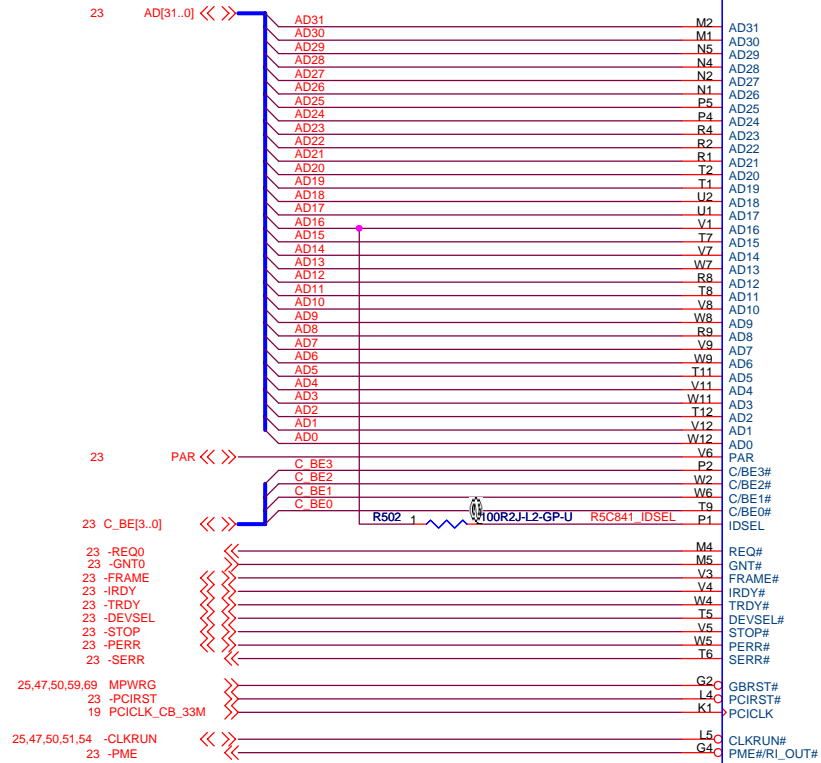
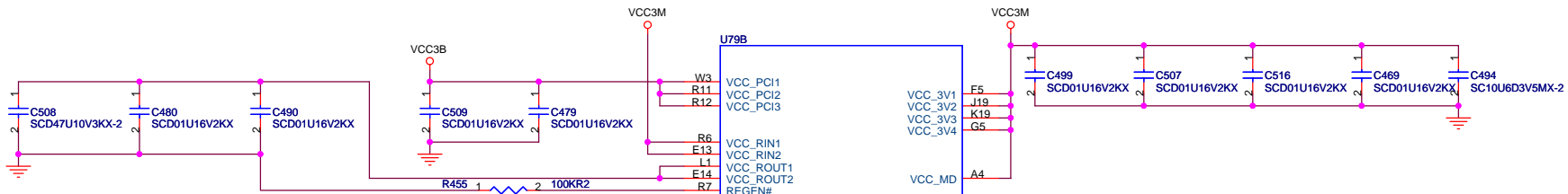
APPLY A NEW P/N FOR 240KR2J-GP



<Variant Name>

 <b>Wistron Corporation</b> 21F, 88, Sec.1, Hsin Tai Wu Rd., Hsichih, Taipei Hsien 221, Taiwan, R.O.C.		
<b>AUDIO MISC</b>		
Size A4	Document Number <b>KS Note</b>	Rev <b>SB</b>
Date: Friday, July 22, 2005		Sheet 29 of 73





**Recommended Conditions**  
 Crystal Oscillator  
 Normal Frequency : 24.576MHz  
 Frequency Tolerance : ±50ppm(at 25°C)  
 Temperature stability : ±50ppm(reference to 25°C)  
 Operating Temperature Range : -20~70°C  
 Load Capacitance : 10pF  
 Driver Level : 0.1mW  
 Equivalent Series Resistance : 50ohm Max  
 Insulation resistance : 500M ohm Min (at DC100V±15V)  
 Shunt Capacitance : 7.0pF Max

**緯創資通 Wistron Corporation**  
 21F, 88, Sec.1, Hsin Tai Wu Rd., Hsichih,  
 Taipei Hsien 221, Taiwan, R.O.C.

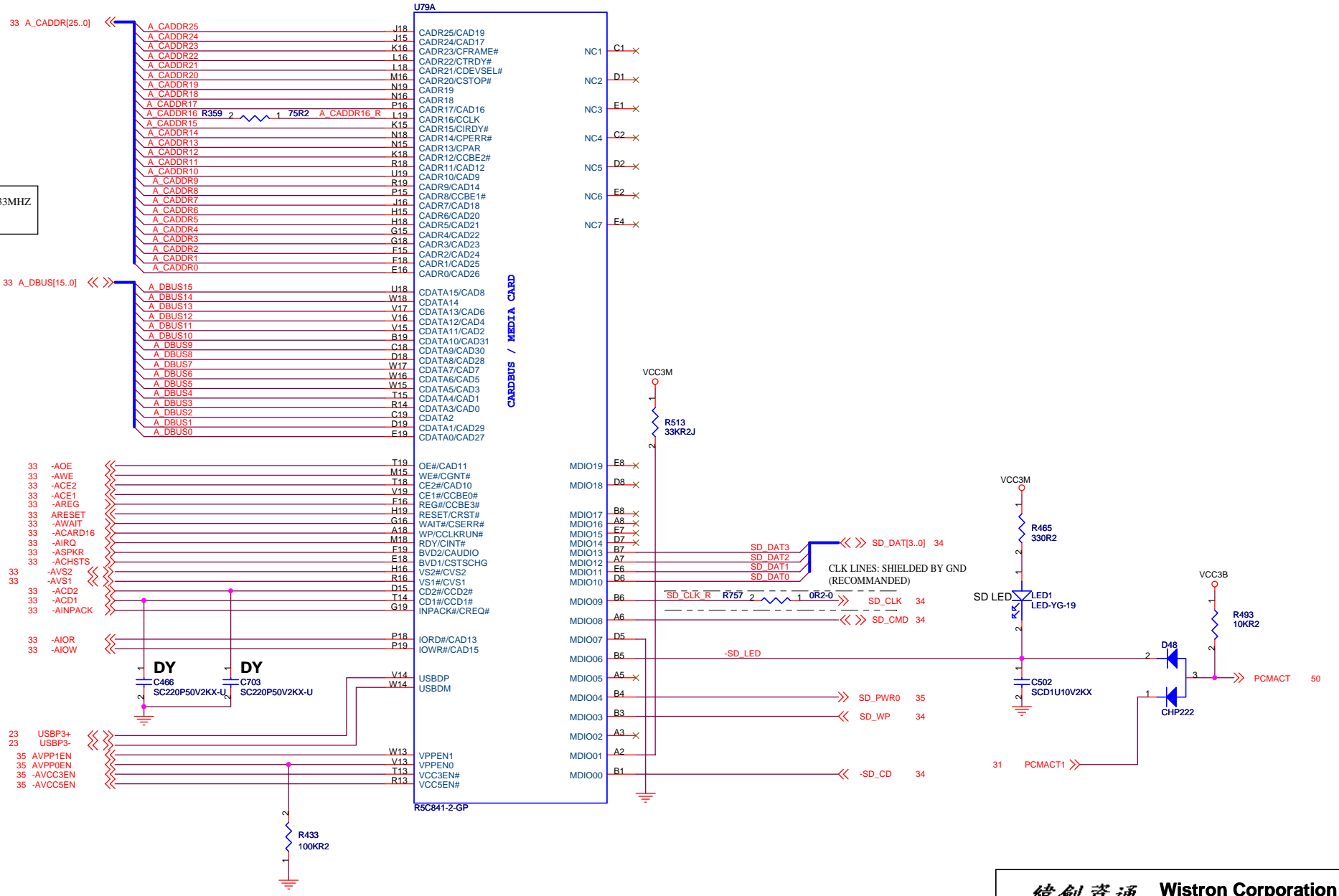
**CARD BUS CONTROLLER(1/2)**

KS Note

Rev SB

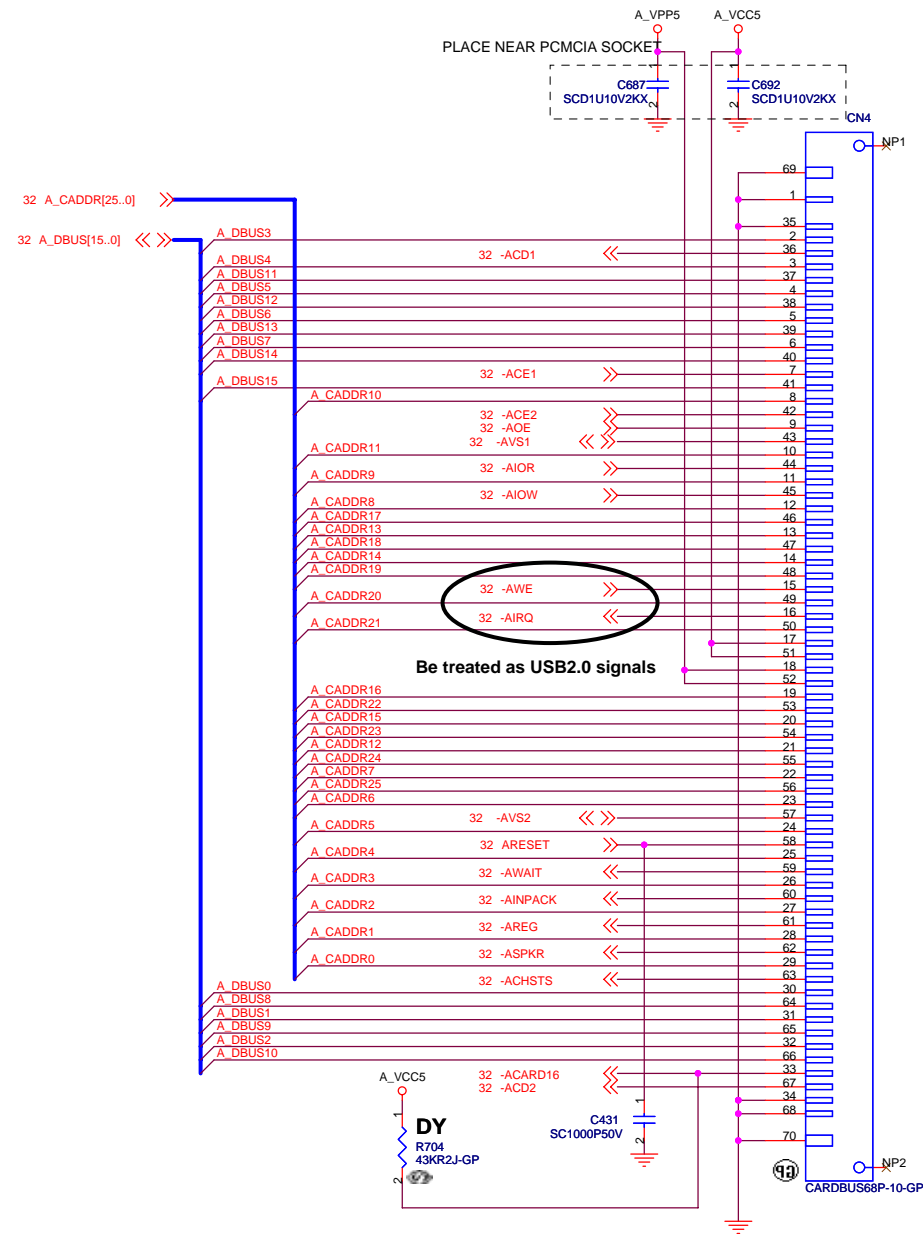
Date: Friday, July 22, 2005 Sheet 31 of 73

A\_CADDR16: CARDBUS CLK 33MHZ  
-AIOR, -AIOW: USB2.0

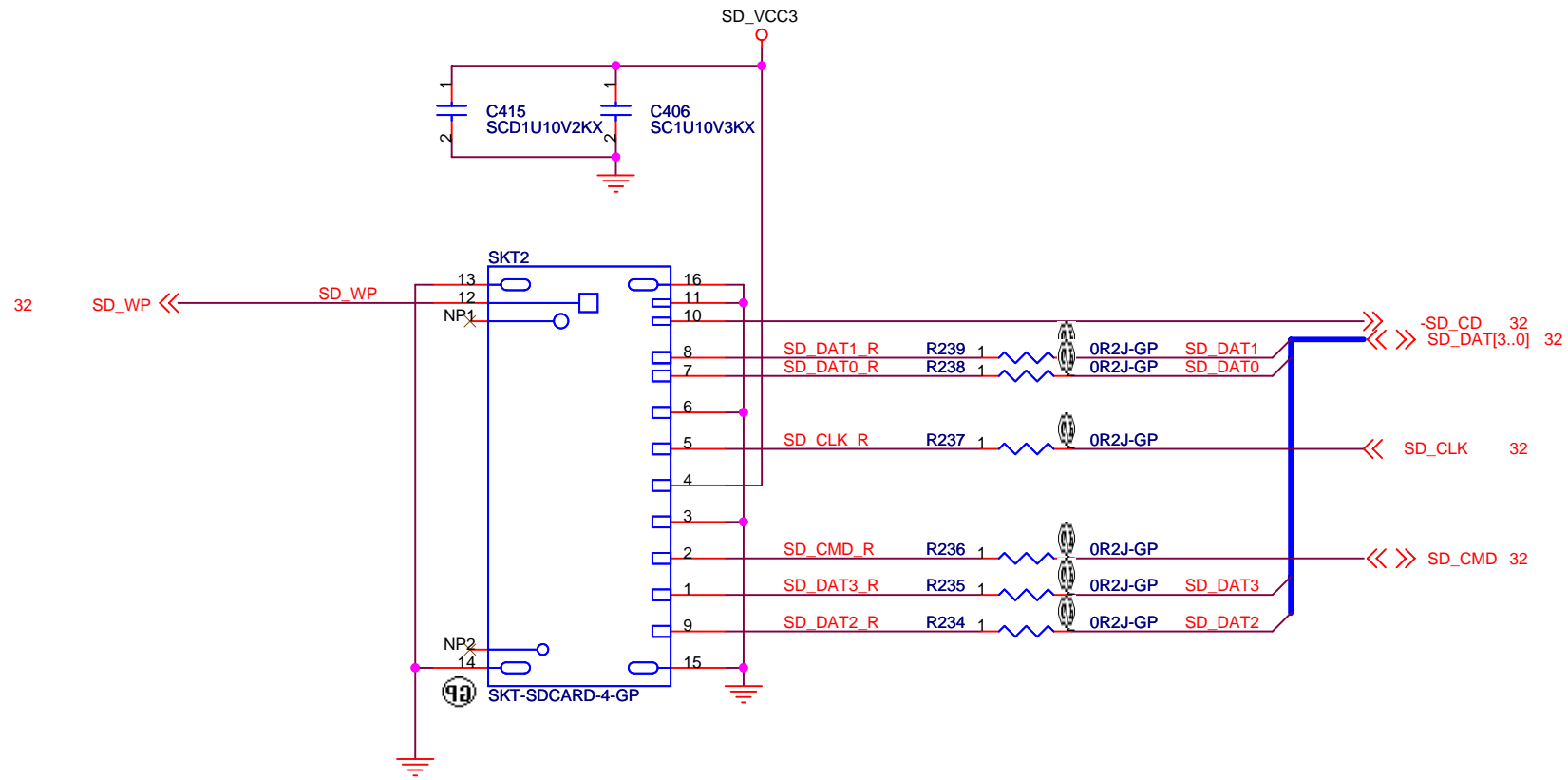


<b>緯創資通</b> Wistron Corporation 21F, 88, Sec.1, Hsin Tai Wu Rd., Hsichih, Taipei Hsien 221, Taiwan, R.O.C.	
<b>CARD BUS CONTROLLER(2/2)</b>	
Title Size A3 Date: Friday, July 22, 2005	Document Number <b>KS Note</b> Sheet 32 of 73
Rev <b>SB</b>	



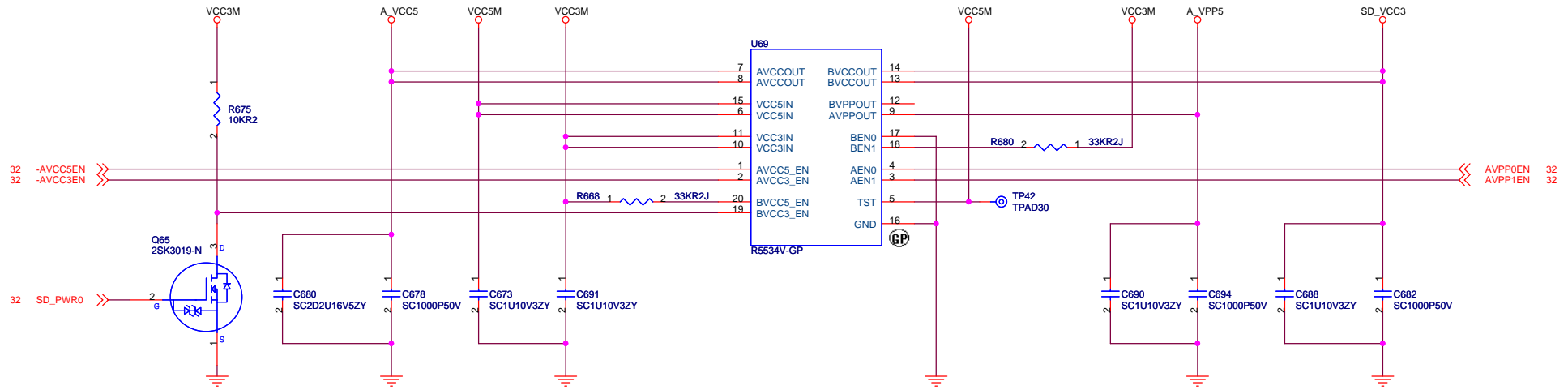


# SD Slot



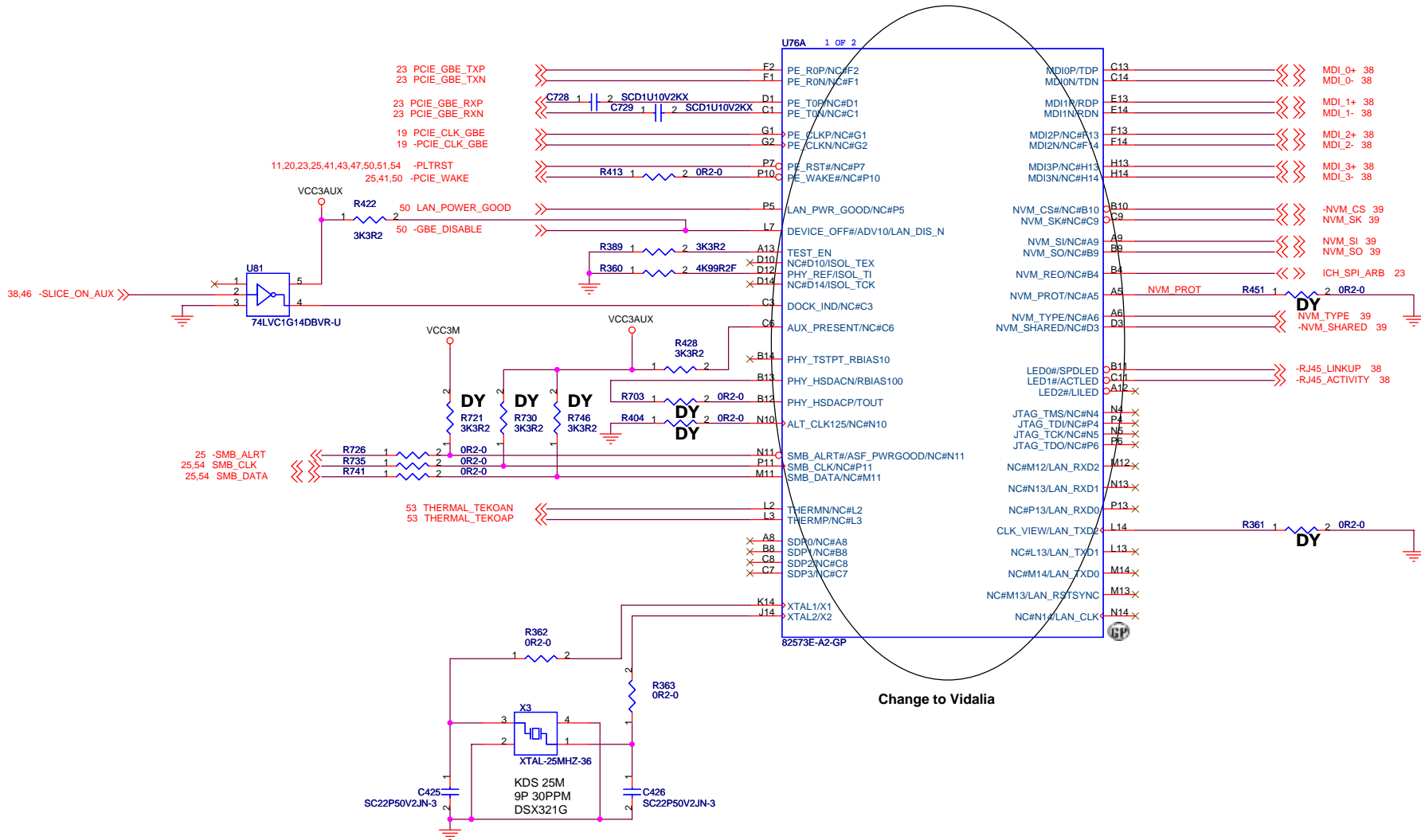
緯創資通 **Wistron Corporation**  
 21F, 88, Sec.1, Hsin Tai Wu Rd., Hsichih,  
 Taipei Hsien 221, Taiwan, R.O.C.

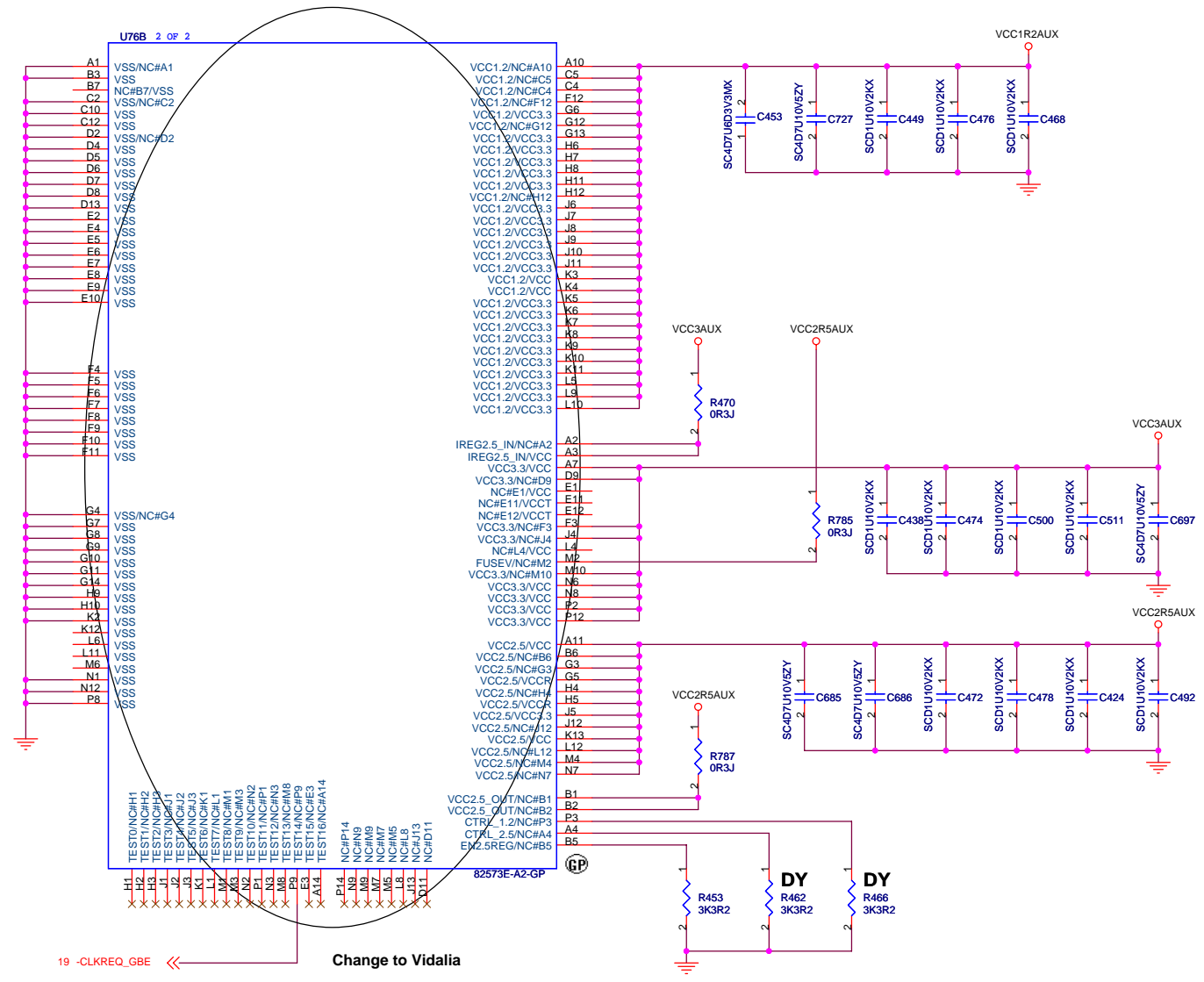
Title		
<b>SD SLOT</b>		
Size A4	Document Number <b>KS Note</b>	Rev <b>SB</b>
Date: Friday, July 22, 2005	Sheet 34 of 73	



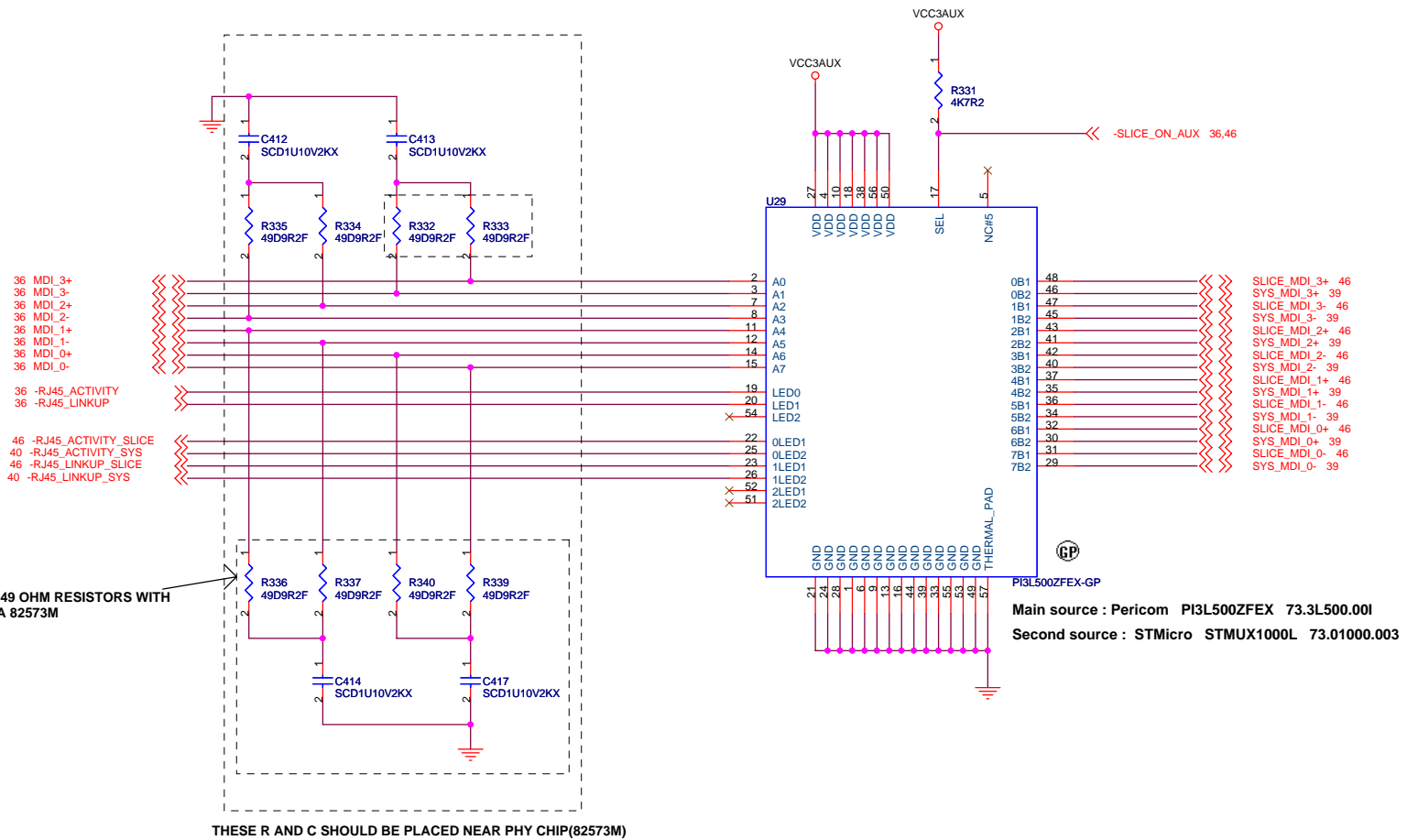
緯創資通 Wistron Corporation  
 21F, 88, Sec.1, Hsin Tai Wu Rd., Hsichih,  
 Taipei Hsien 221, Taiwan, R.O.C.

Title			<b>CARD BUS POWER CONTROL</b>		
Size	Document Number	Rev		SB	
A3					
Date:	Friday, July 22, 2005	Sheet	35	of	73

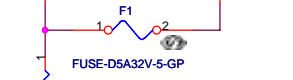




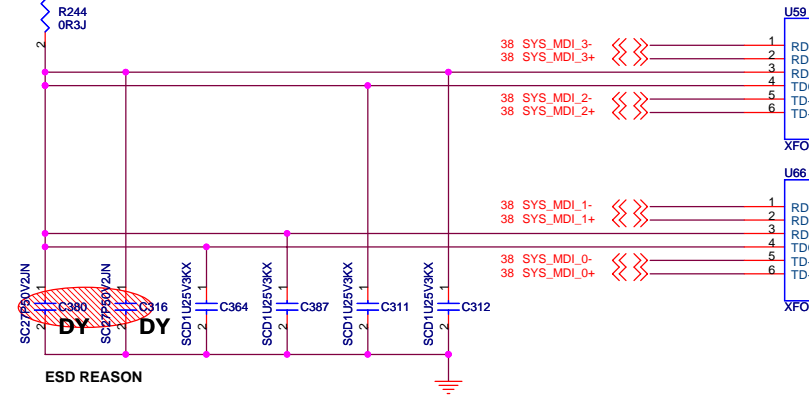
19 -CLKREQ\_GBE <<< Change to Vidalia



VCC2R5AUX VCCREF\_SLICE\_CT

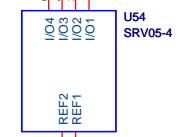
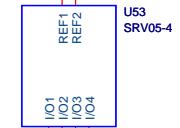


PULSE H0068ANL : 77P3519BA  
MIDCOM 000-7219-35R: 77P3519AA

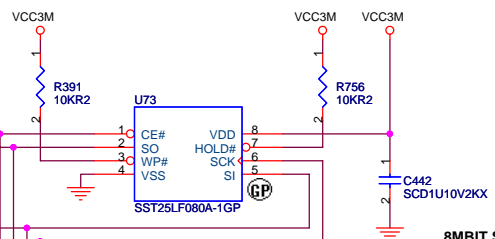


ESD REASON  
APPLY PART NUMBER FOR EZJ1270GA.

HIGH VOLTAGE  
1500PF CAP IS  
OPTIONAL



RJ45\_TXD3N 40  
RJ45\_TXD3P 40  
RJ45\_TXD2N 40  
RJ45\_TXD2P 40  
RJ45\_TXD1N 40  
RJ45\_TXD1P 40  
RJ45\_TXD0N 40  
RJ45\_TXD0P 40

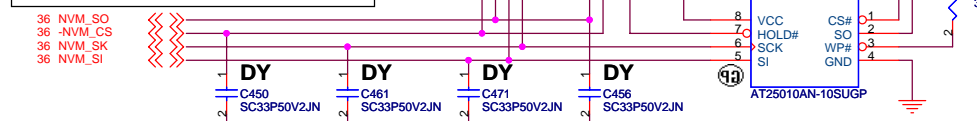


8MBIT SPI FLASH : ATMEL 26DF081  
SST 25LF080A  
STMicro M25PE80  
16MBIT SPI FLASH : ATMEL 26DF161  
SST 25VF016B

PLACE LESS THAN 2 INCH FROM THE ICH IF USING SHARED ARCHITECTURE.

INSTALL ONLY WHEN SHARING FLASH WITH THE ICH. PLACE LESS THAN 0.5 INCH FROM THE ICH/SHARED FLASH.

INSTALL ONLY WHEN SHARING FLASH WITH THE ICH. PLACE TO MINIMIZE THE STUB SEEN ON THE DEDICATED LAN CONTROLLER NVM LINES WHEN REMOVED.

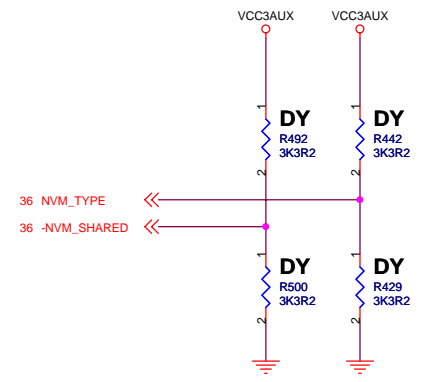


INSTALL ONLY WHEN SHARING FLASH WITH THE ICH. PLACE LESS THAN 0.5 INCH FROM THE LAN CONTROLLER.

SPI EEPROM: ATMEL AT25010AN FOR 1KBIT  
SPI FLASH: ST M25P40 FOR 4MBIT

AT26DF041-SU OR AT26F004-SU FOR 4MBIT  
NO SUCH KIND OF DEVICE.

DEDICATED LAN MEMORY POPULATION OPTIONS:  
DEDICATED MEMORY ARCHITECTURE - EEPROM OR FLASH ACCEPTABLE.  
WHEN USING SHARED FLASH ARCHITECTURE - DO NOT INSTALL.  
USE THE FLASH LOCATED NEAR THE ICH.



	R500	R429	R442	R492	REMARKS
SHARED FLASH CASE	ASM	ASM	NO_ASM	NO_ASM	
DEDICATED TEKOA (SPI FLASH)	NO_ASM	ASM	NO_ASM	ASM	
DEDICATED TEKOA (SPI EEPROM)	NO_ASM	NO_ASM	ASM*1	ASM*1	*1 TEKOA HAS ON-DIE PULL UPS
DEDICATED ICH	NO_ASM	*2 ASM: EEPROM NO_ASM: FALSH	*2 ASM: EEPROM NO_ASM: FALSH	ASM	*2 DEPENDS ON TEKOA'S NVM TYPE : PULL-UP = EEPROM PULL-DOWN = FLASH

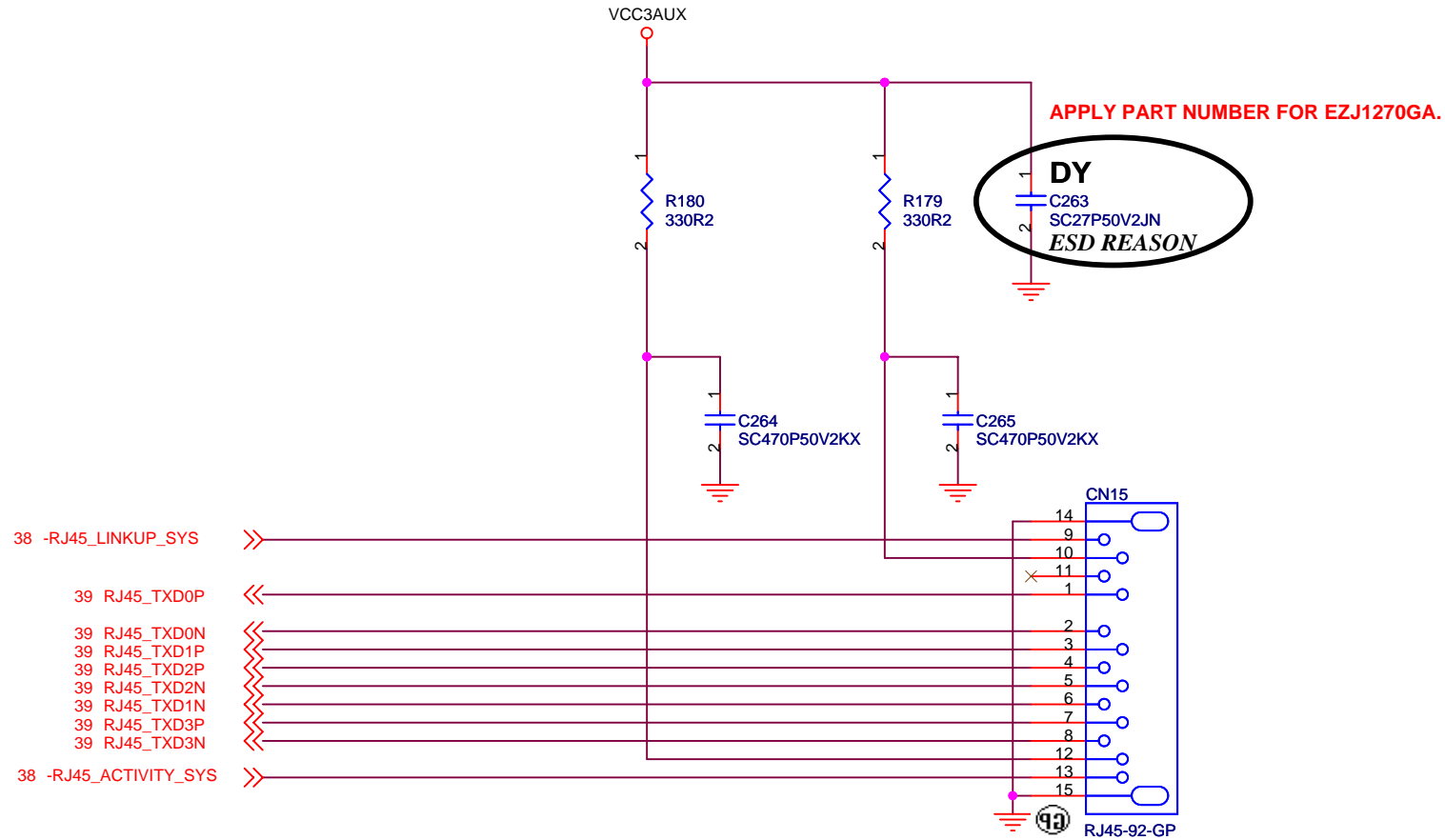
<Variant Name>

**緯創資通 Wistron Corporation**  
21F, 88, Sec.1, Hsin Tai Wu Rd., Hsichih, Taipei Hsien 221, Taiwan, R.O.C.

**GBE MAGNETICS**

**KS Note**

Date: Friday, July 22, 2005 Sheet 39 of 73



<Variant Name>

緯創資通

**Wistron Corporation**  
21F, 88, Sec.1, Hsin Tai Wu Rd., Hsichih,  
Taipei Hsien 221, Taiwan, R.O.C.

Title

**RJ11/RJ45 CONN**

Size  
A4

Document Number

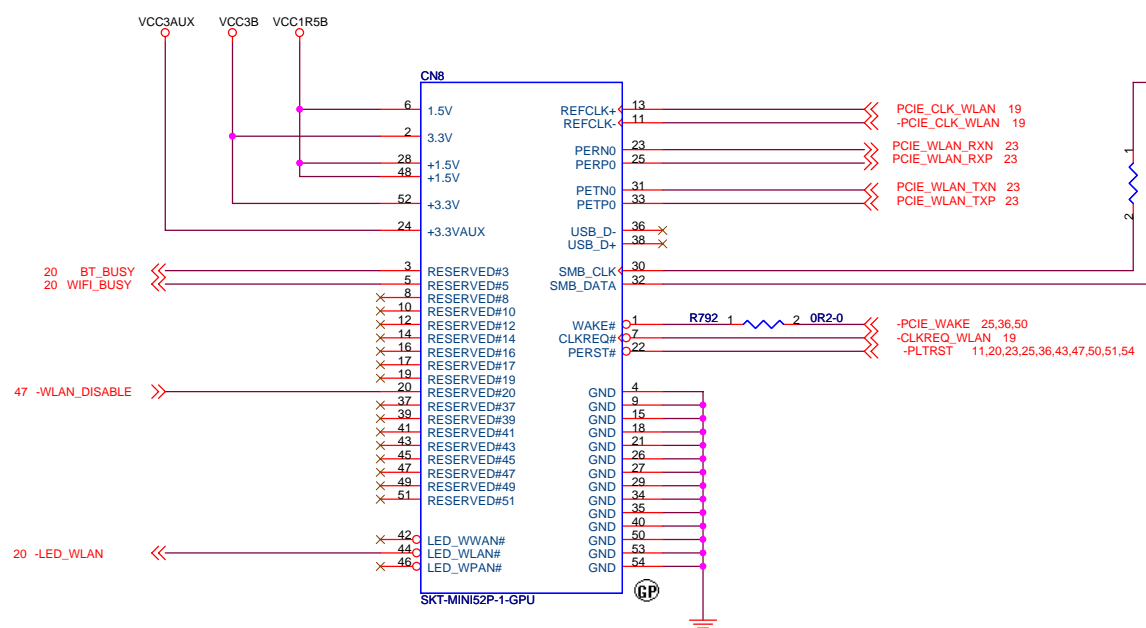
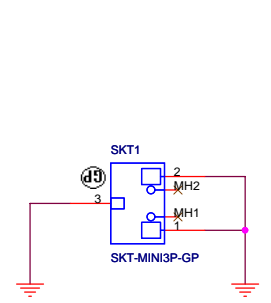
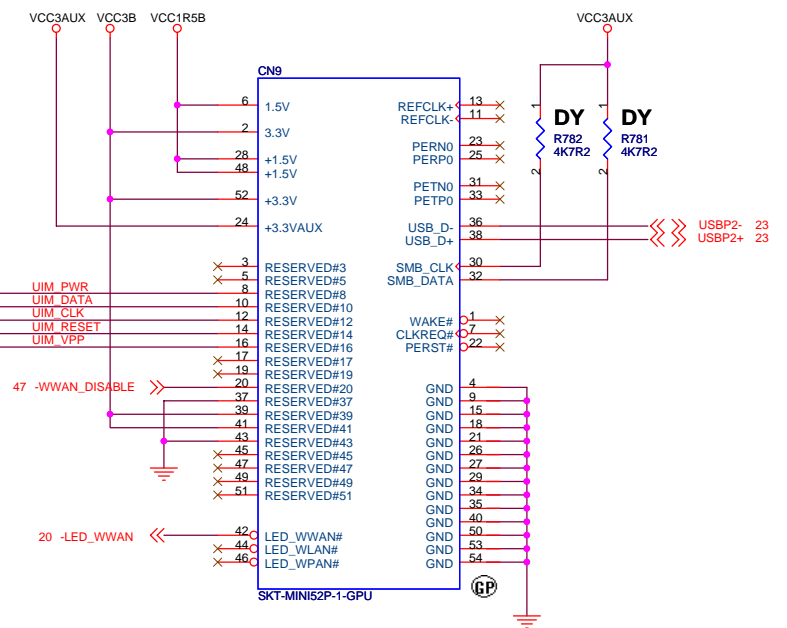
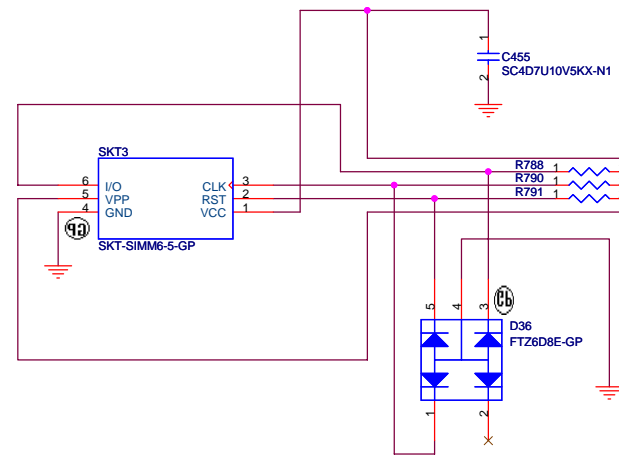
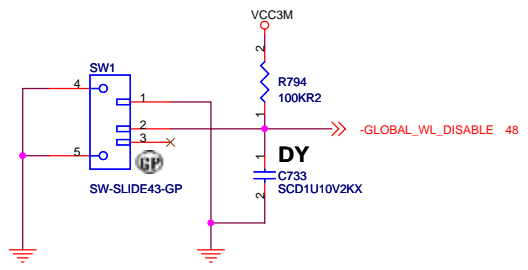
**KS Note**

Rev  
**SB**

Date: Friday, July 22, 2005

Sheet 40 of 73





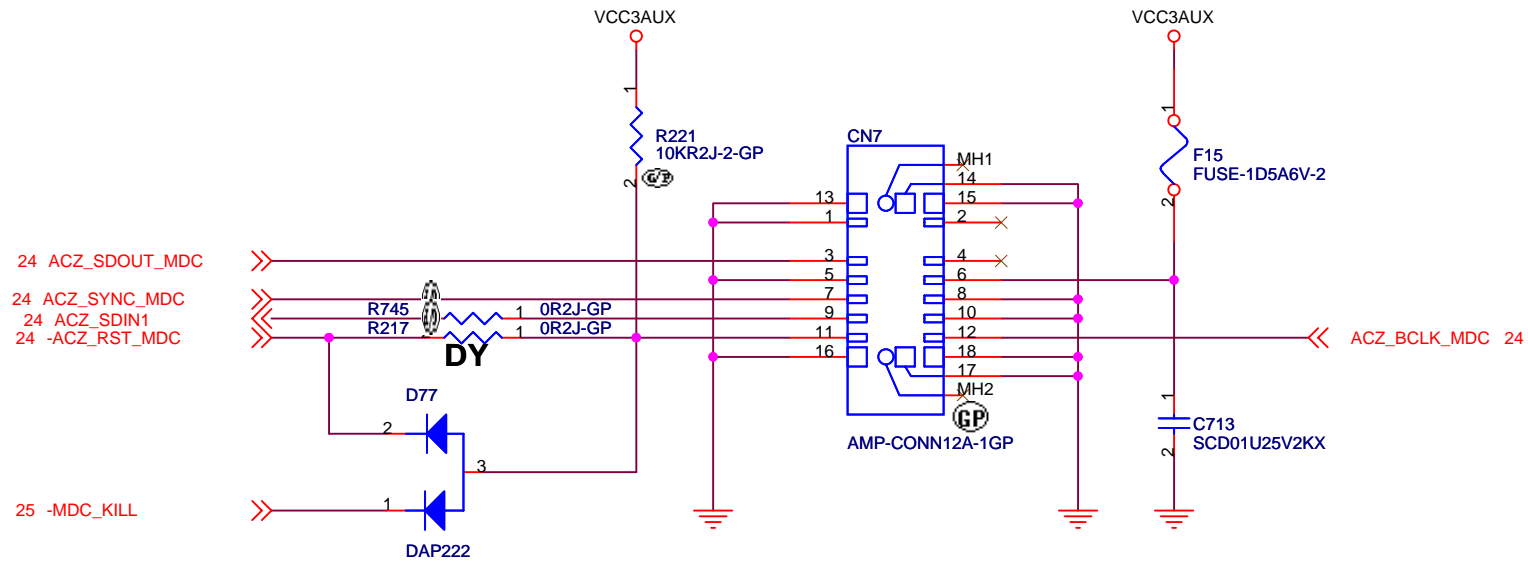
<Variant Name>

**緯創資通 Wistron Corporation**  
21F, 88, Sec.1, Hsin Tai Wu Rd., Hsichih, Taipei Hsien 221, Taiwan, R.O.C.

Title: **MINI CARD SLOT**

Size: A3	Document Number: KS Note	Rev: SB
Date: Friday, July 22, 2005	Sheet: 41 of 73	

# MDC CONN



<Variant Name>

緯創資通

**Wistron Corporation**  
21F, 88, Sec.1, Hsin Tai Wu Rd., Hsichih,  
Taipei Hsien 221, Taiwan, R.O.C.

Title

**MDC 1.5 CONNECTOR**

Size  
A4

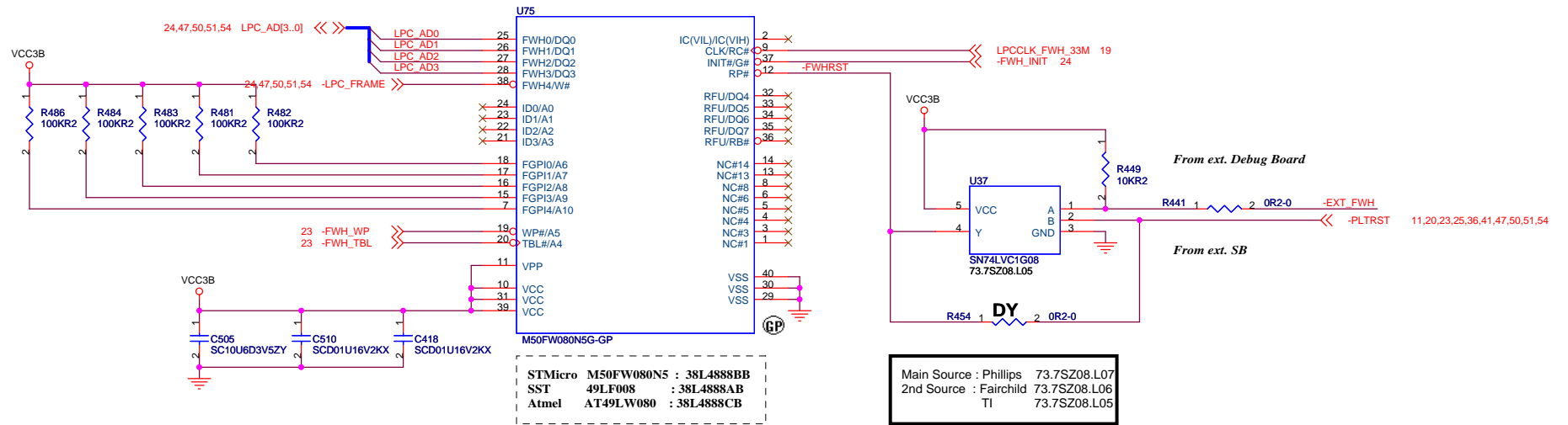
Document Number

**KS Note**

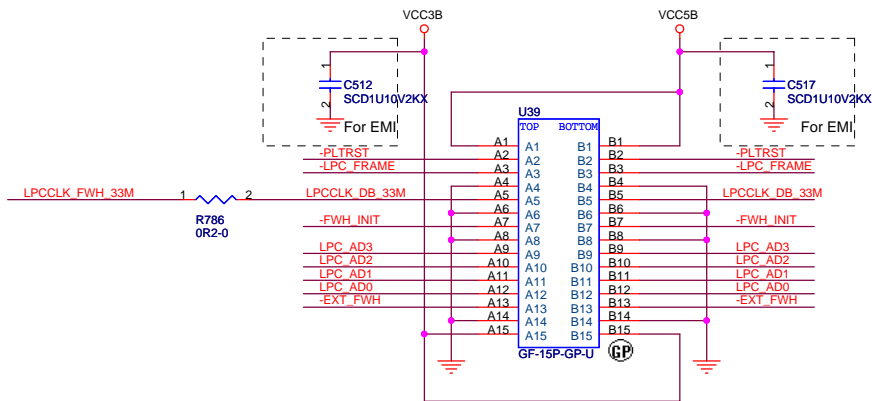
Rev  
**SB**

Date: Friday, July 22, 2005

Sheet 42 of 73



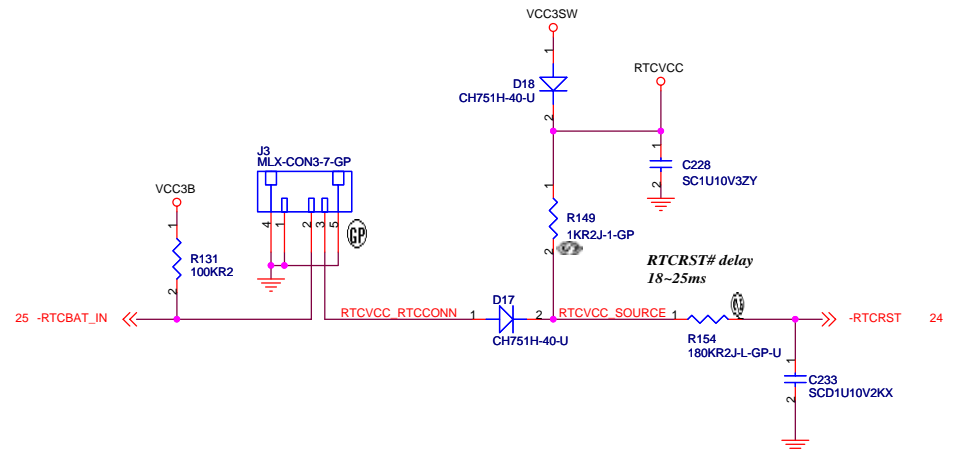
# Golden Finger for Debug Board



TOP VIEW

A15 (B1)  
A14 (B2)  
:  
:  
A2 (B14)  
A1 (B15)

(BOTTOM VIEW)



<Variant Name>

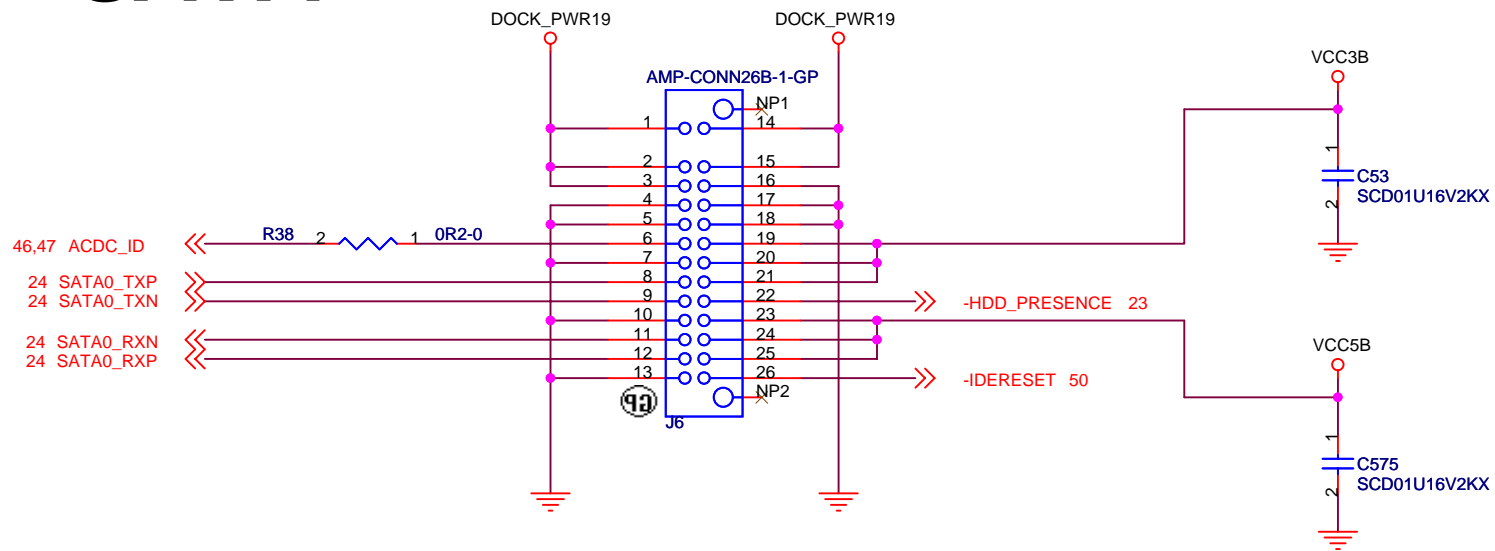
緯創資通 Wistron Corporation  
21F, 88, Sec.1, Hsin Tai Wu Rd., Hsichih,  
Taipei Hsien 221, Taiwan, R.O.C.

Title  
**FWH, RTC BATTERY**

Size A3 Document Number Rev SB  
**KS Note**

Date: Friday, July 22, 2005 Sheet 43 of 73

# SATA



<Core Design>

緯創資通

**Wistron Corporation**  
21F, 88, Sec.1, Hsin Tai Wu Rd., Hsichih,  
Taipei Hsien 221, Taiwan, R.O.C.

Title

**Board To Board CONN**

Size  
A4

Document Number

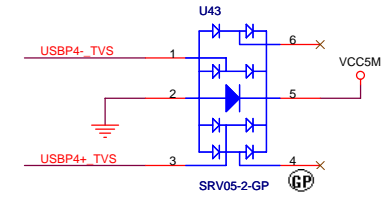
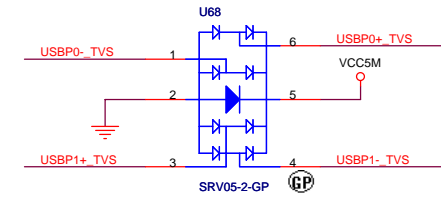
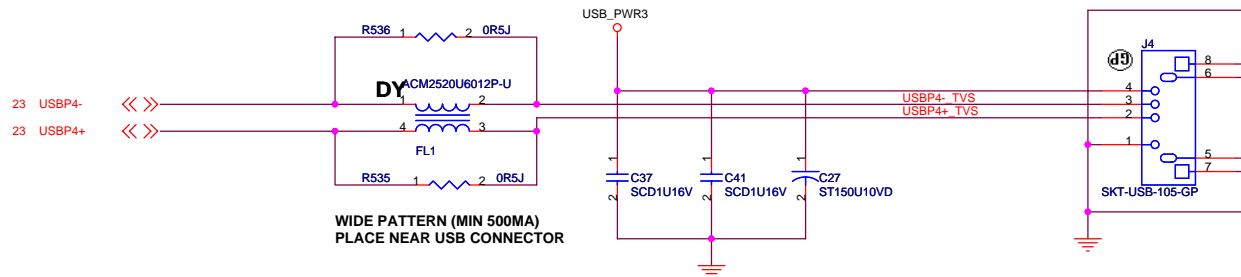
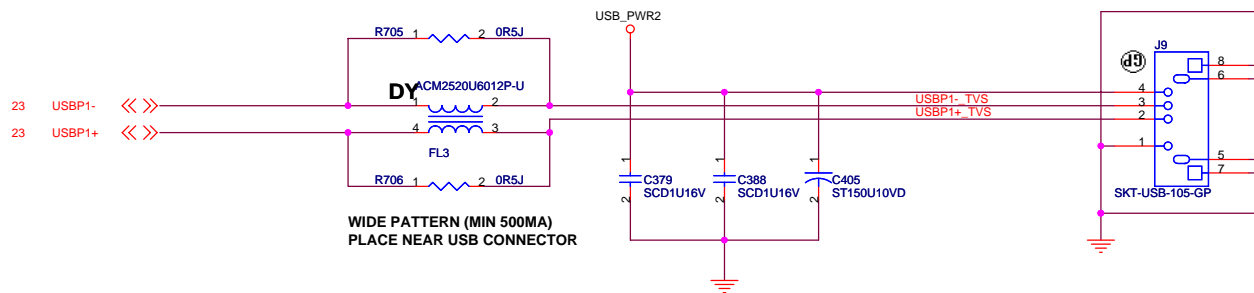
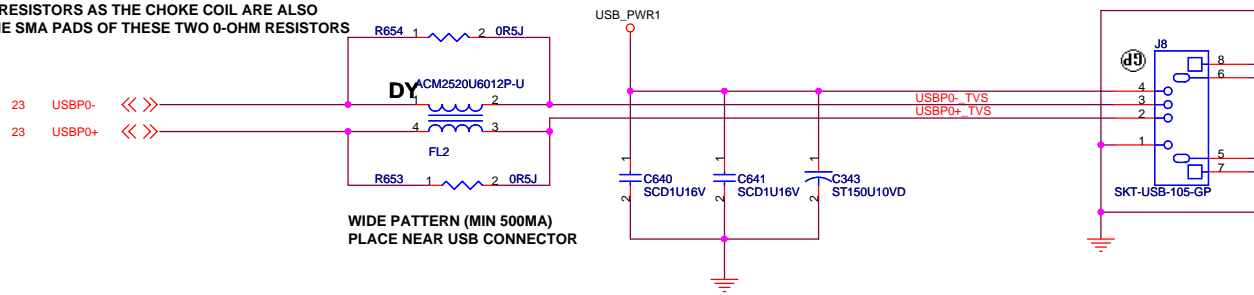
**KS Note**

Rev  
**SB**

Date: Friday, July 22, 2005

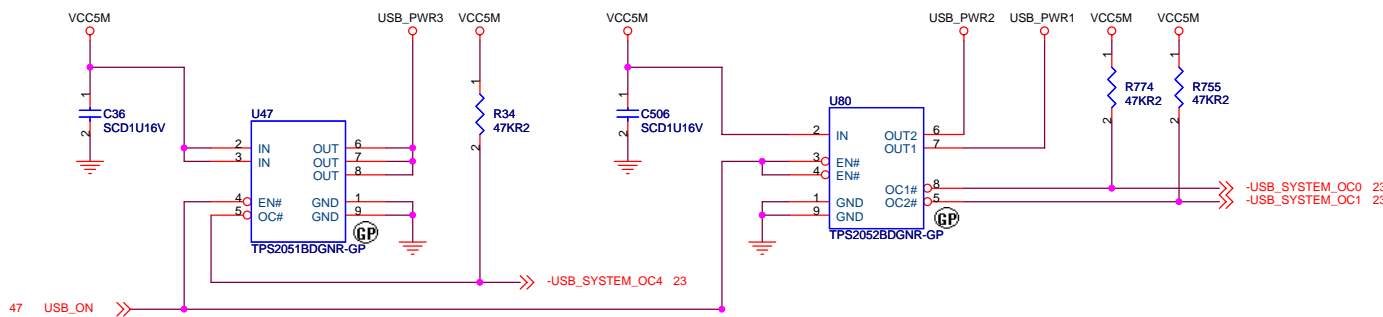
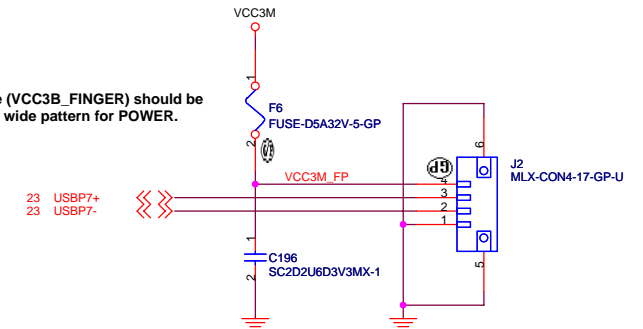
Sheet 44 of 73

COMMON MODE CHOKE COIL: TDK ACM2520U  
 PLACE THESE RESISTORS AS THE CHOKE COIL ARE ALSO  
 PLACED ON THE SMA PADS OF THESE TWO 0-OHM RESISTORS



### Fingerprint

This trace (VCC3B\_FINGER) should be routed by wide pattern for POWER.

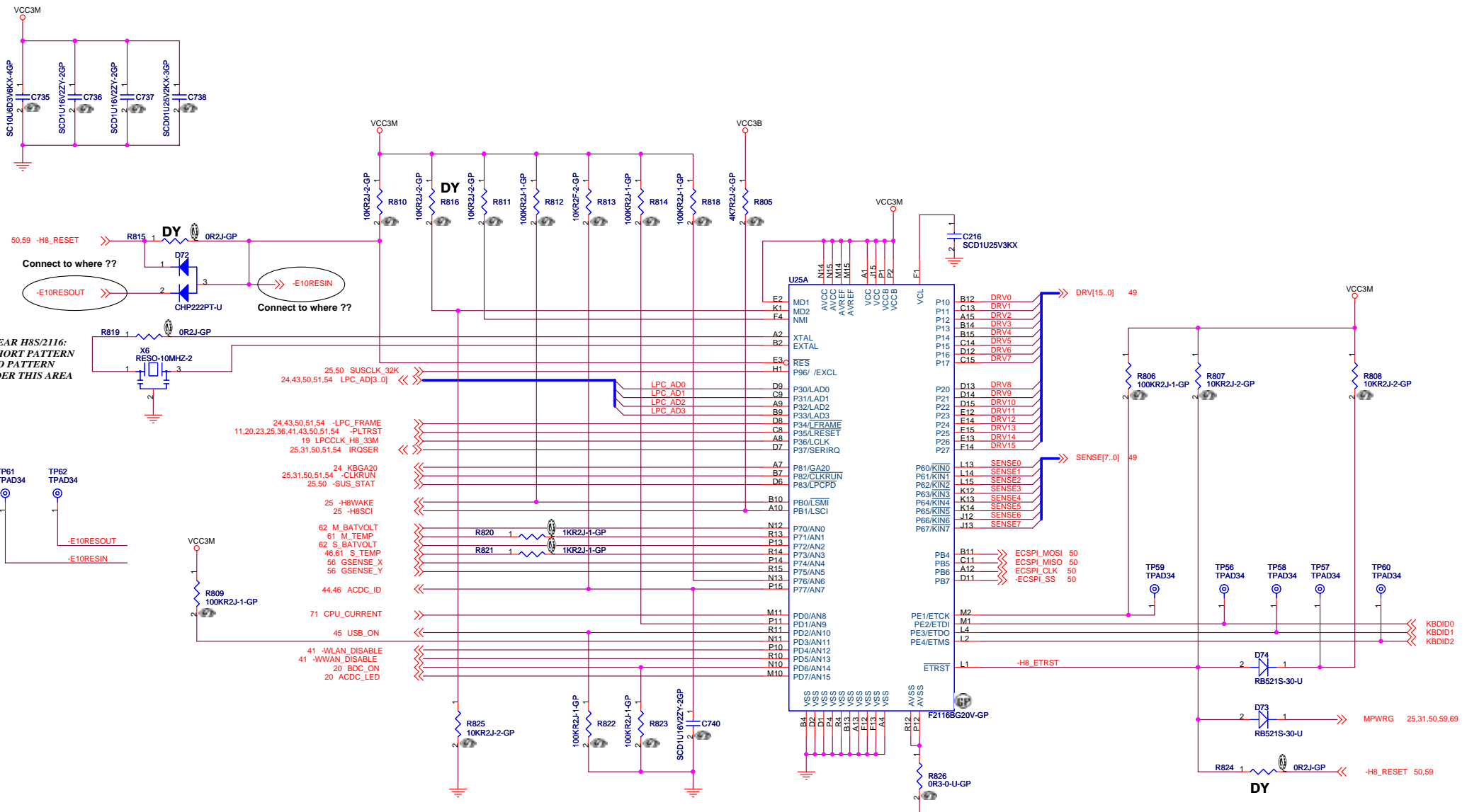


緯創資通 Wistron Corporation  
 21F, 88, Sec.1, Hsin Tai Wu Rd., Hsichih,  
 Taipei Hsien 221, Taiwan, R.O.C.

### USB POWER / CONNECTOR

File	Document Number		Rev
Size A3	KS Note		SB
Date: Friday, July 22, 2005	Sheet 45	of	73





	SDV PNR	NOTE
R955	NO_ASM	FINAL LOGIC
R971	NO_ASM	
D58	ASM	
D69	ASM	
R289	ASM	DEBUG I/F ENABLED
D75	ASM	
R831	ASM	

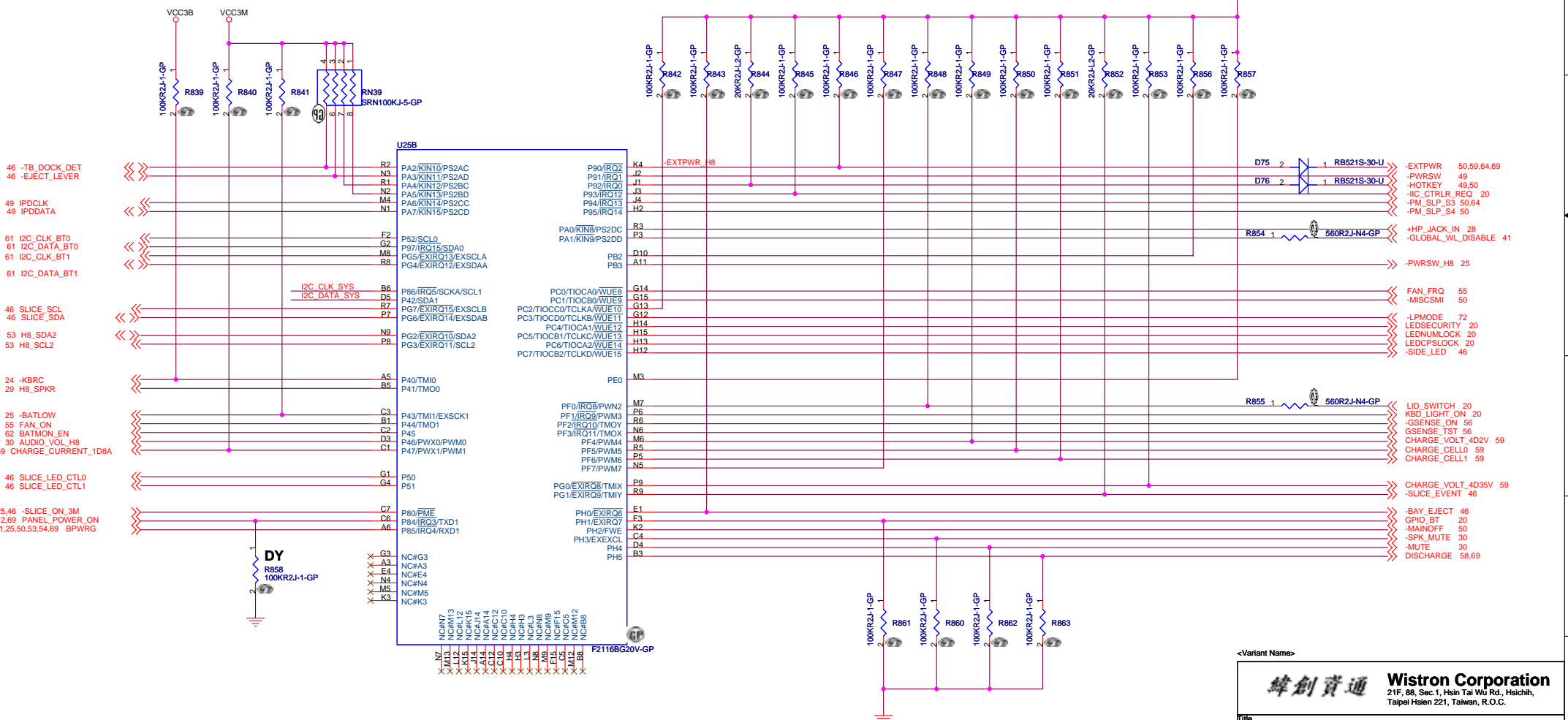
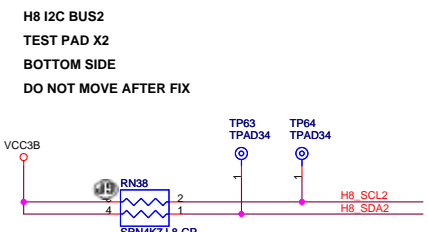
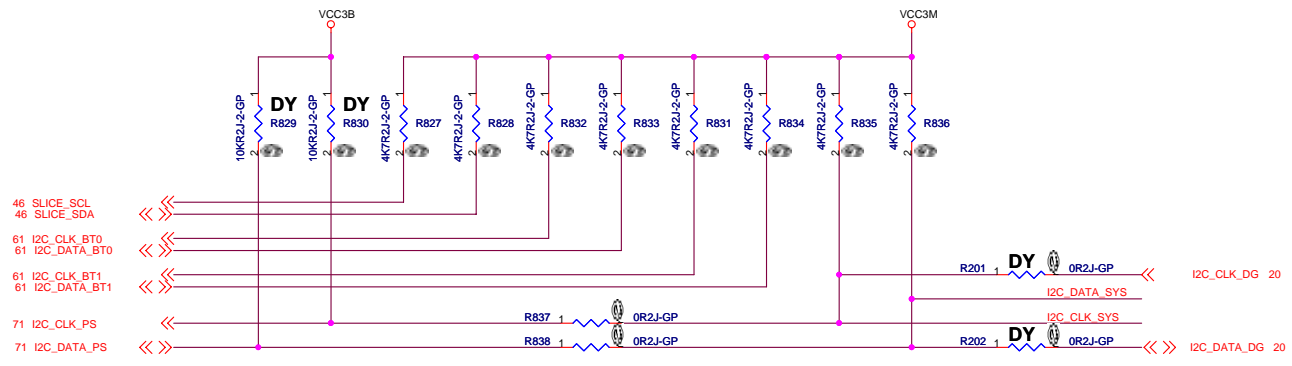
<Variant Name>

**緯創資通** **Wistron Corporation**  
 21F, 88, Sec.1, Hsin Tai Wu Rd., Hsichih,  
 Taipei Hsien 221, Taiwan, R.O.C.

Title: **H8S2116 (1/2)**

Size: Custom Document Number: **KS Note** Rev: **SB**

Date: Friday, July 22, 2005 Sheet: 47 of 73



<Variant Name>

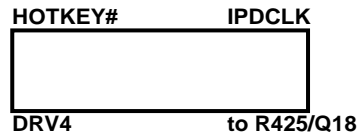
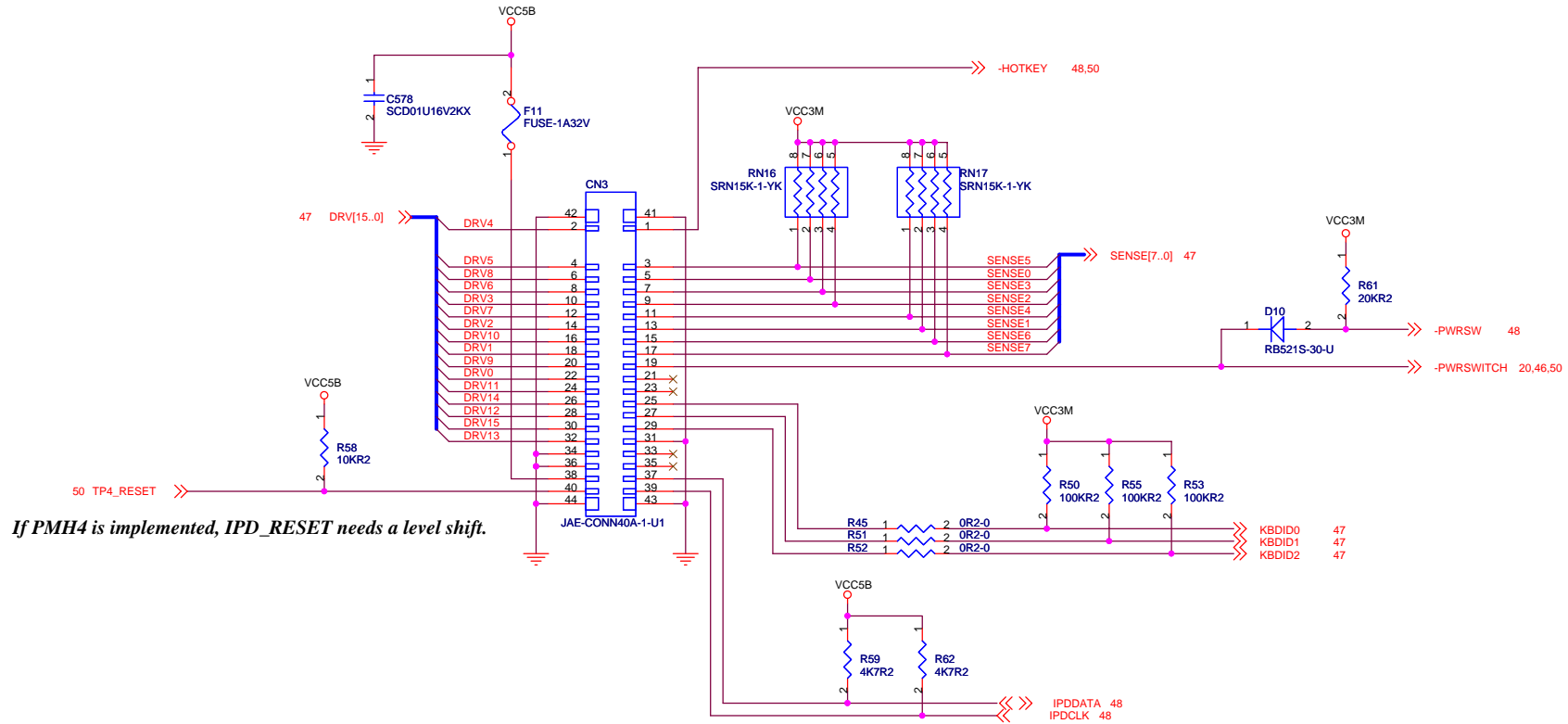
**緯創資通 Wistron Corporation**  
21F, 88, Sec.1, Hsin Tai Wu Rd., Hsichih, Taipei Hsien 221, Taiwan, R.O.C.

Title: **H8S2116(2/2)**

Size: Custom	Document Number: <b>KS Note</b>	Rev: <b>SB</b>
Date: Friday, July 22, 2005	Sheet: 48	of 73



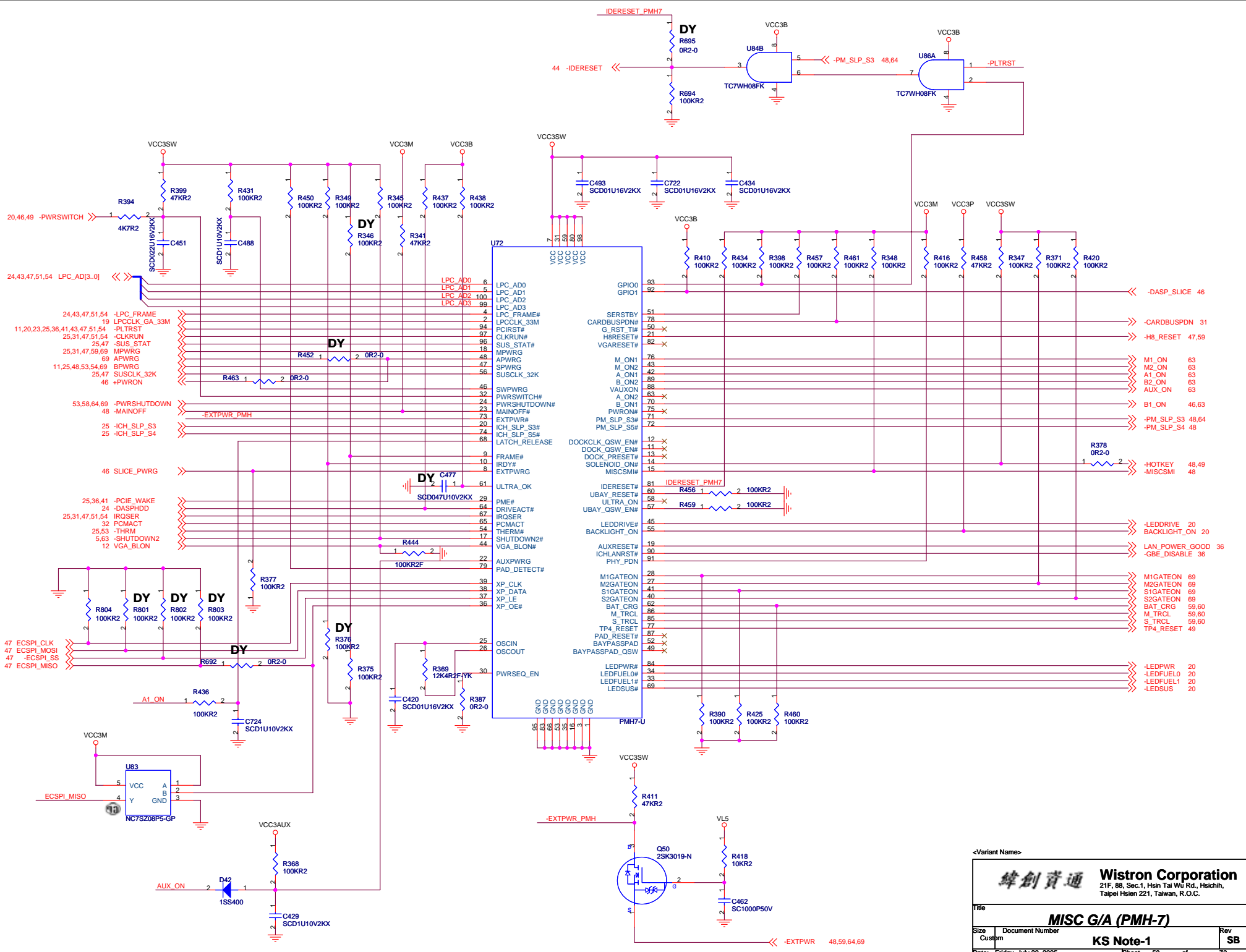
# Keyboard Connector



Keyboard Connector Top View

<Variant Name>

<b>緯創資通</b>		<b>Wistron Corporation</b>	
		21F, 88, Sec.1, Hsin Tai Wu Rd., Hsichih, Taipei Hsien 221, Taiwan, R.O.C.	
<b>KEYBOARD CONN</b>			
Size A3	Document Number <b>KS Note</b>	Rev <b>SB</b>	
Date: Friday, July 22, 2005		Sheet 49 of	73

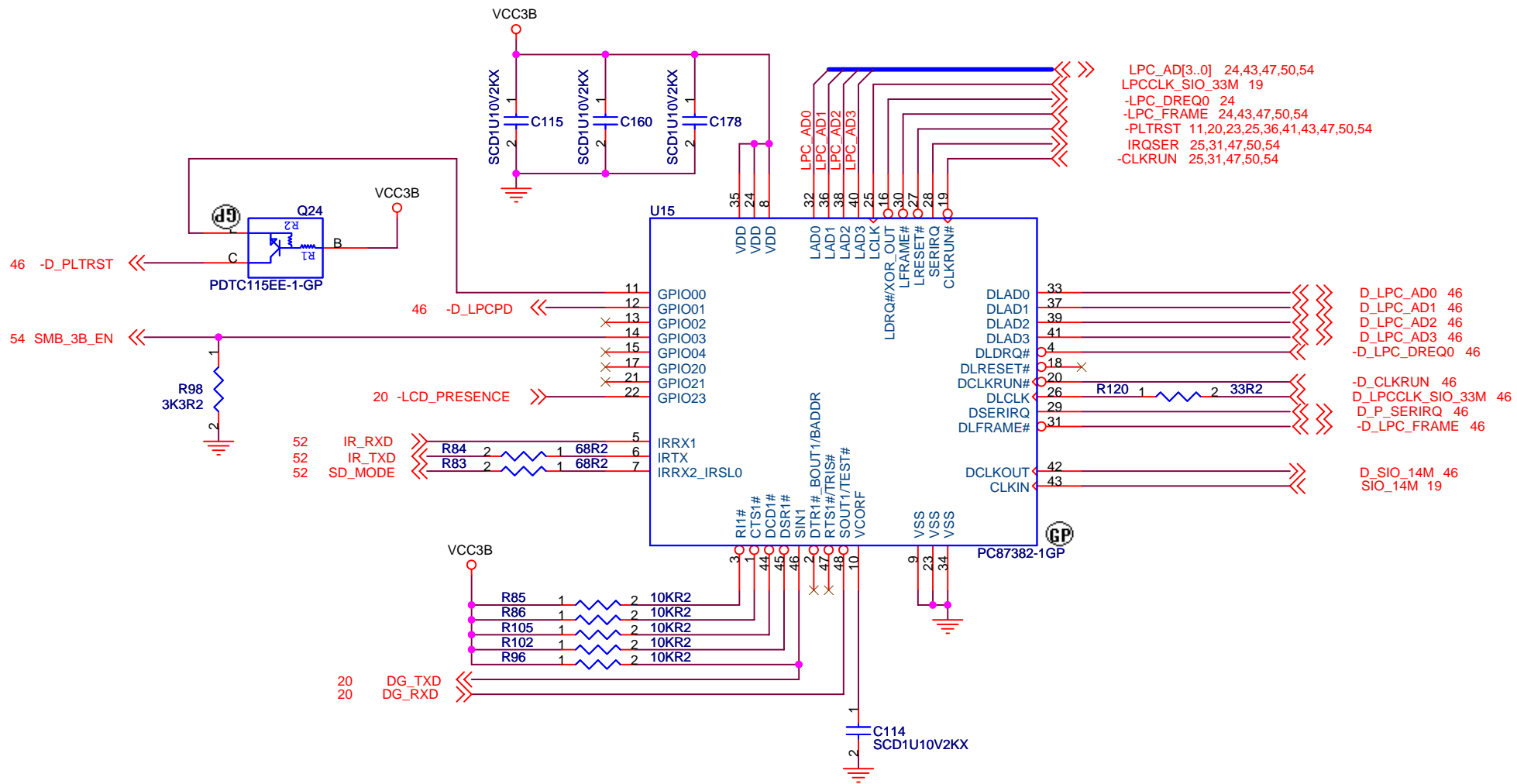


<Variant Name>

**緯創資通 Wistron Corporation**  
 21F, 88, Sec.1, Hsin Tai Wu Rd., Hsichih,  
 Taipei Hsien 221, Taiwan, R.O.C.

**MISC G/A (PMH-7)**


Title		Rev
Size		SB
Custom	Document Number	KS Note-1
Date: Friday, July 22, 2005	Sheet 50 of 73	

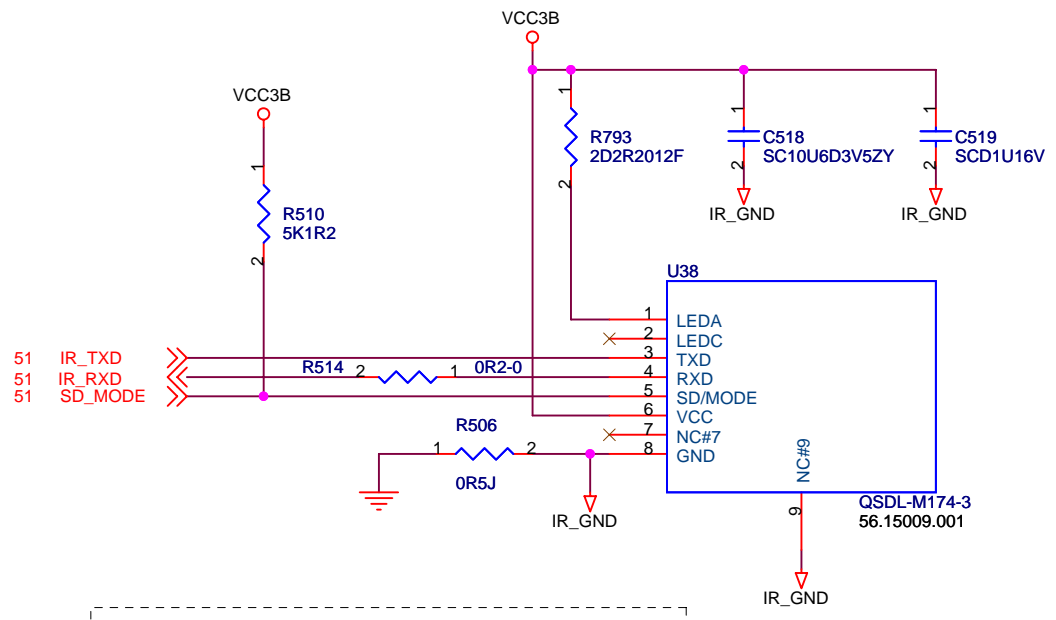


LPC\_AD[3..0] 24,43,47,50,54  
 LPCCLK\_SIO\_33M 19  
 -LPC\_DREQ0 24  
 -LPC\_FRAME 24,43,47,50,54  
 -PLTRST 11,20,23,25,36,41,43,47,50,54  
 IRQSER 25,31,47,50,54  
 -CLKRUN 25,31,47,50,54

D\_LPC\_AD0 46  
 D\_LPC\_AD1 46  
 D\_LPC\_AD2 46  
 D\_LPC\_AD3 46  
 -D\_LPC\_DREQ0 46  
 -D\_CLKRUN 46  
 D\_LPCCLK\_SIO\_33M 46  
 D\_P\_SERIRQ 46  
 -D\_LPC\_FRAME 46  
 D\_SIO\_14M 46  
 SIO\_14M 19

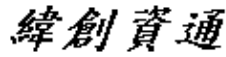
<Variant Name>

 <b>Wistron Corporation</b> 21F, 88, Sec.1, Hsin Tai Wu Rd., Hsichih, Taipei Hsien 221, Taiwan, R.O.C.	
<b>Title</b> <b>SIO NS87382</b>	
<b>Size</b> A4	<b>Document Number</b> <b>KS Note</b>
<b>Date:</b> Friday, July 22, 2005	<b>Rev</b> <b>SB</b>
<b>Date:</b> Friday, July 22, 2005 <b>Sheet</b> 51 <b>of</b> 73	

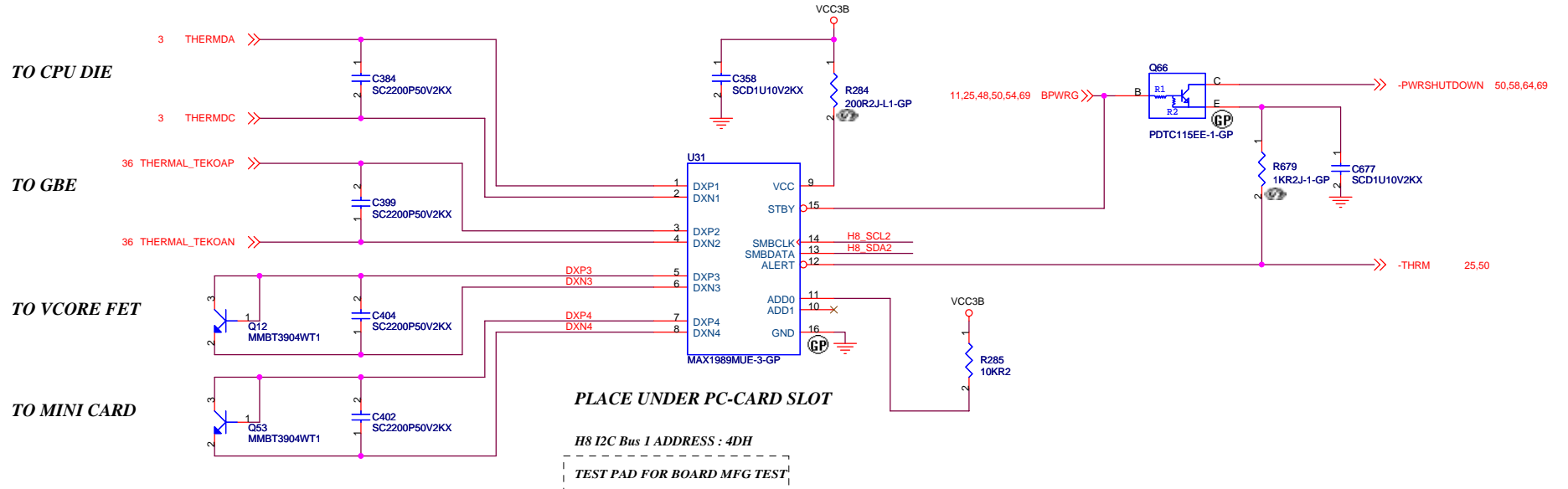


SHOULD QUALIFY BELOW PARTS  
 PRIMATY ALIGENT QSDL-M174-1 : 56.15009.001  
 SECOND VISHAY TFDU6102 : 56.15001.051

<Variant Name>

 <b>Wistron Corporation</b> 21F, 88, Sec.1, Hsin Tai Wu Rd., Hsichih, Taipei Hsien 221, Taiwan, R.O.C.	
<b>IR MODULE</b>	
Size A4	Document Number <b>KS Note</b>
Date Friday, July 22, 2005	Rev <b>SB</b>
Sheet 52 of 73	

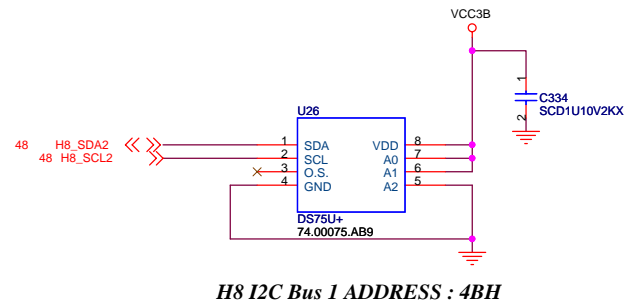
**THESE CAPS MUST BE PLACED AS CLOSE AS POSSIBLE TO MAX1989**



## Thermal Sensor LM75 for DDR module

(For DDR throttling implementation)

PLACE DIMM area



Main Source : 74.00075.AB9 (MAXIM)  
2nd Source : 74.07416.0B9 (ADI)  
74.00075.CB9 (NS)

<Variant Name>

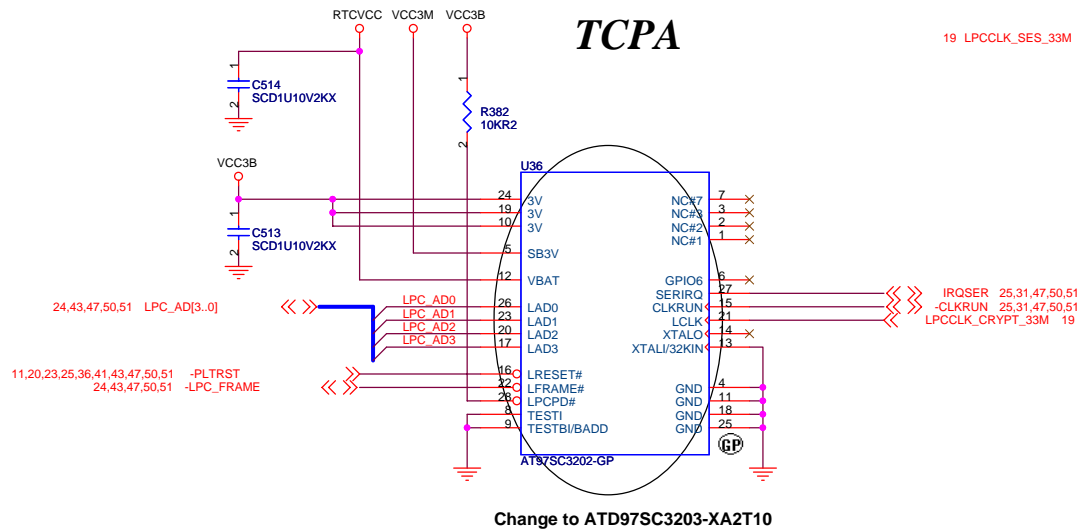
緯創資通

**Wistron Corporation**  
21F, 88, Sec.1, Hsin Tai Wu Rd., Hsichih,  
Taipei Hsien 221, Taiwan, R.O.C.

Title <b>THERMAL SENSOR</b>		
Size A3	Document Number <b>KS Note</b>	Rev <b>SB</b>
Date: Friday, July 22, 2005	Sheet 53 of	73

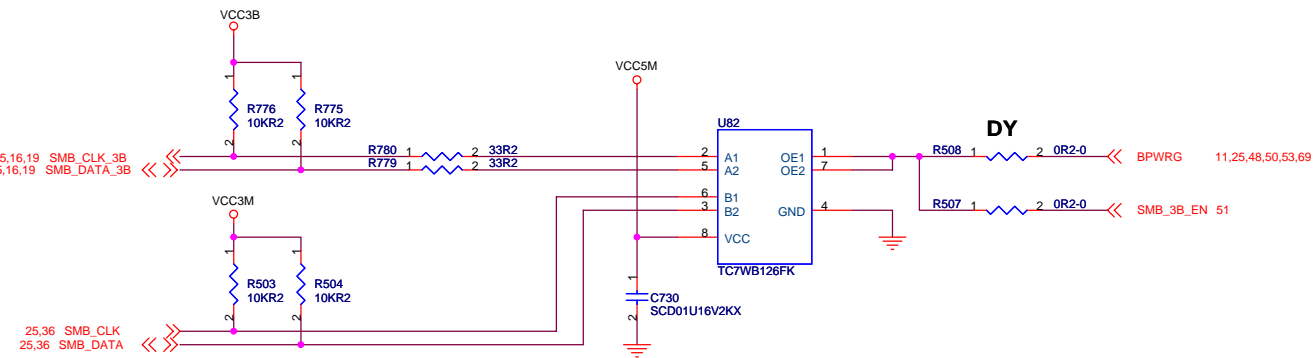
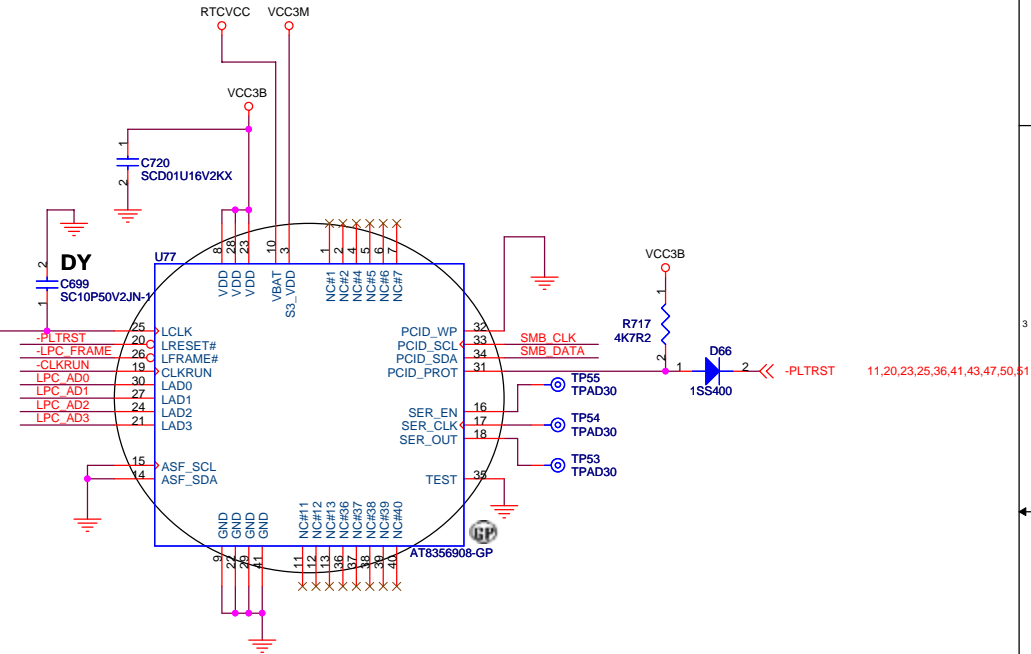
# TATER

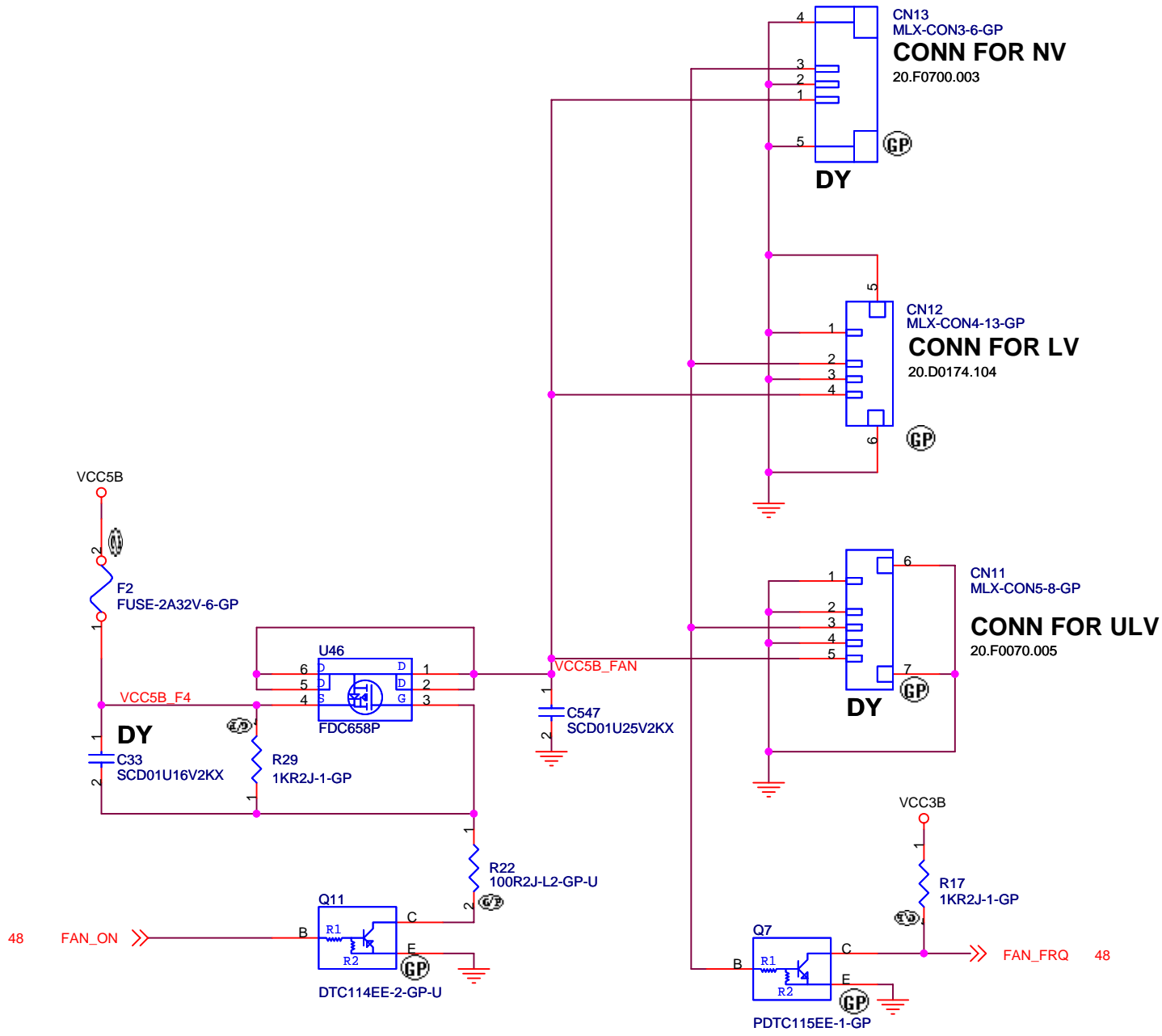
## TCPA



19 LPCCLK\_SESS\_33M >>>  
 IRQSER 25,31,47,50,51 >>>  
 -CLKRUN 25,31,47,50,51 >>>  
 LPCCLK\_CRYPT\_33M 19 >>>

## Change to AT8356908-DML6X

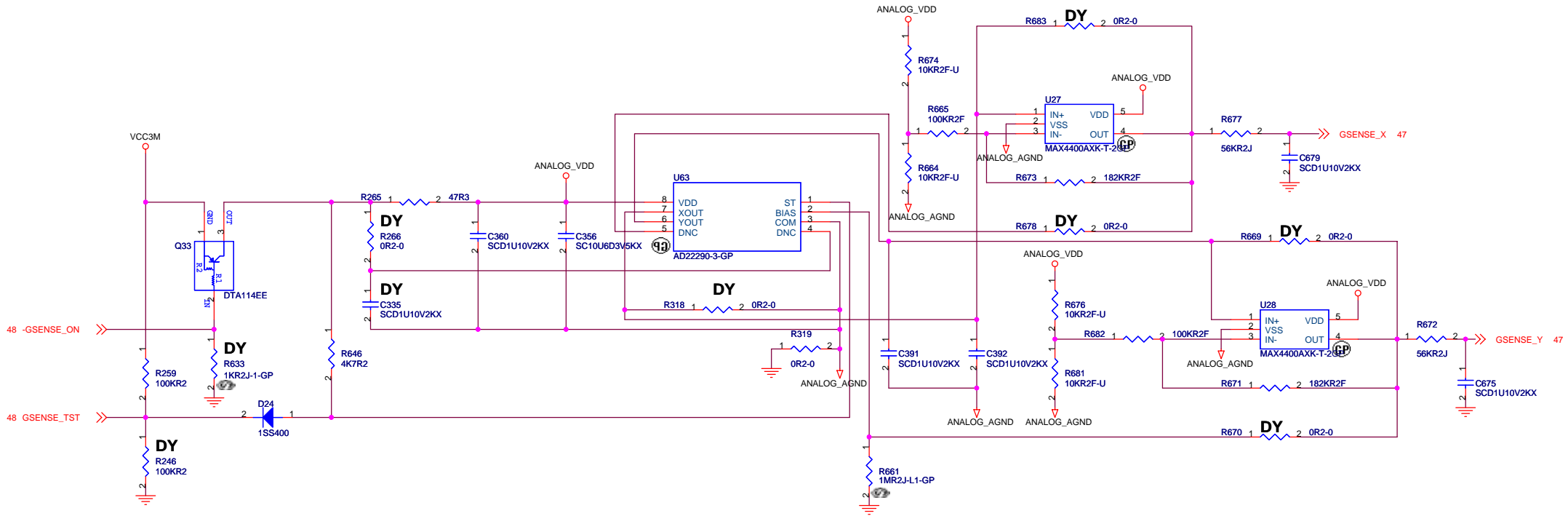




<Variant Name>

 <b>Wistron Corporation</b> 21F, 88, Sec.1, Hsin Tai Wu Rd., Hsichih, Taipei Hsien 221, Taiwan, R.O.C.	
---------------------------------------------------------------------------------------------------------------------------------------------------------------------------------------------------	--

Title		
<b>FAN CONTROL</b>		
Size A4	Document Number <b>KS Note</b>	Rev <b>SB</b>
Date Friday, July 22, 2005	Sheet 55	of 73

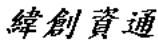


### Accelerometer Parts List

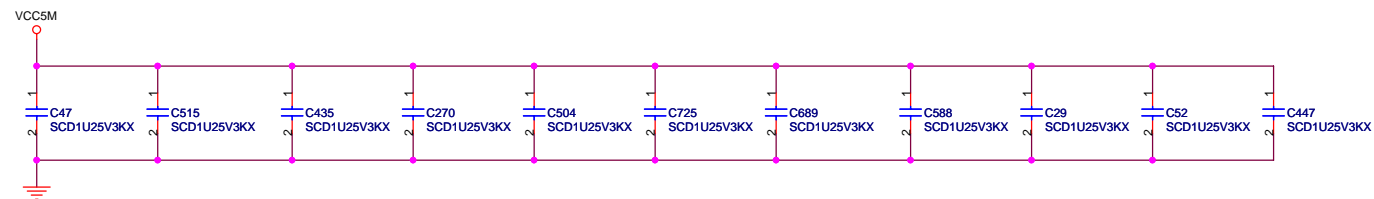
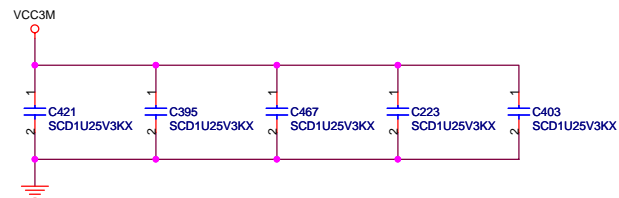
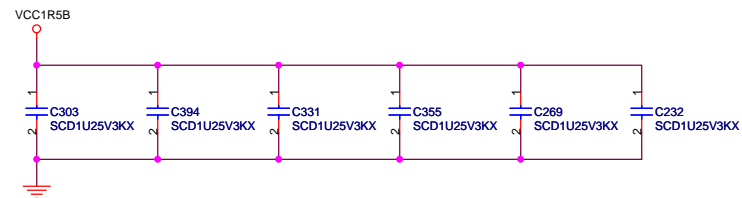
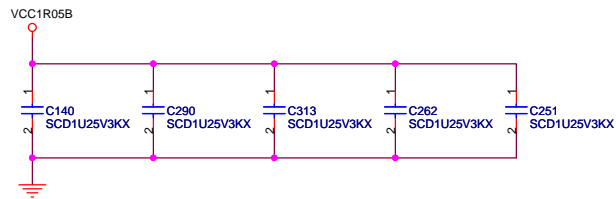
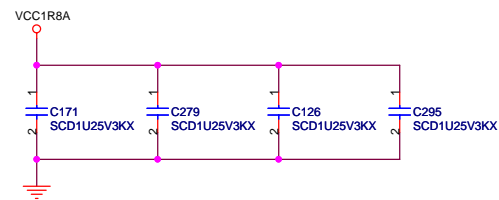
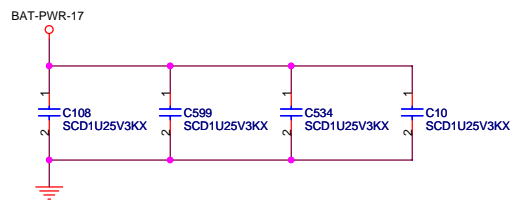
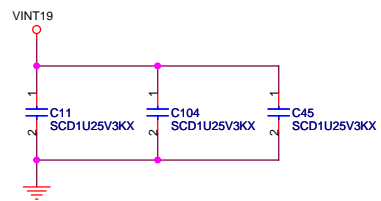
KS-NOTE	ADI	STMicro	No Accel.
R633	NO_ASM	ASM	ASM
R246	NO_ASM	NO_ASM	ASM
U63	AD22290	LIS2L02AL	NO_ASM
U27	ASM	NO_ASM	NO_ASM
U28	ASM	NO_ASM	NO_ASM
Q33	ASM	ASM	NO_ASM
D24	ASM	ASM	NO_ASM
R259	ASM	ASM	NO_ASM
R646	ASM	ASM	NO_ASM
R265	47 Ohm	10 Ohm	NO_ASM
C360	ASM	ASM	NO_ASM
C356	ASM	ASM	NO_ASM
R661	ASM	ASM	NO_ASM
R319	ASM	ASM	NO_ASM
C391	0.1uF,10%	0.033uF,10%	NO_ASM
C392	0.1uF,10%	0.033uF,10%	NO_ASM
R674	ASM	NO_ASM	NO_ASM
R664	ASM	NO_ASM	NO_ASM
R665	ASM	NO_ASM	NO_ASM
R673	ASM	NO_ASM	NO_ASM
R676	ASM	NO_ASM	NO_ASM
R681	ASM	NO_ASM	NO_ASM
R682	ASM	NO_ASM	NO_ASM

KS-NOTE	ADI	STMicro	No Accel.
R671	ASM	NO_ASM	NO_ASM
R677	56K	56K	NO_ASM
C679	ASM	ASM	NO_ASM
R672	56K	56K	NO_ASM
C675	ASM	ASM	NO_ASM
R266	NO_ASM	NO_ASM	NO_ASM
C335	NO_ASM	NO_ASM	NO_ASM
R318	NO_ASM	NO_ASM	NO_ASM
R678	NO_ASM	NO_ASM	NO_ASM
R670	NO_ASM	NO_ASM	NO_ASM
R683	NO_ASM	ASM	NO_ASM
R669	NO_ASM	ASM	NO_ASM

<Variant Name>

 <b>Wistron Corporation</b> 21F, 88, Sec.1, Hsin Tai Wu Rd., Hsichih, Taipei Hsien 221, Taiwan, R.O.C.	
<b>G-SENSOR</b>	
Title	Rev
Size A3	SB
Date: Friday, July 22, 2005	Sheet 56 of 73

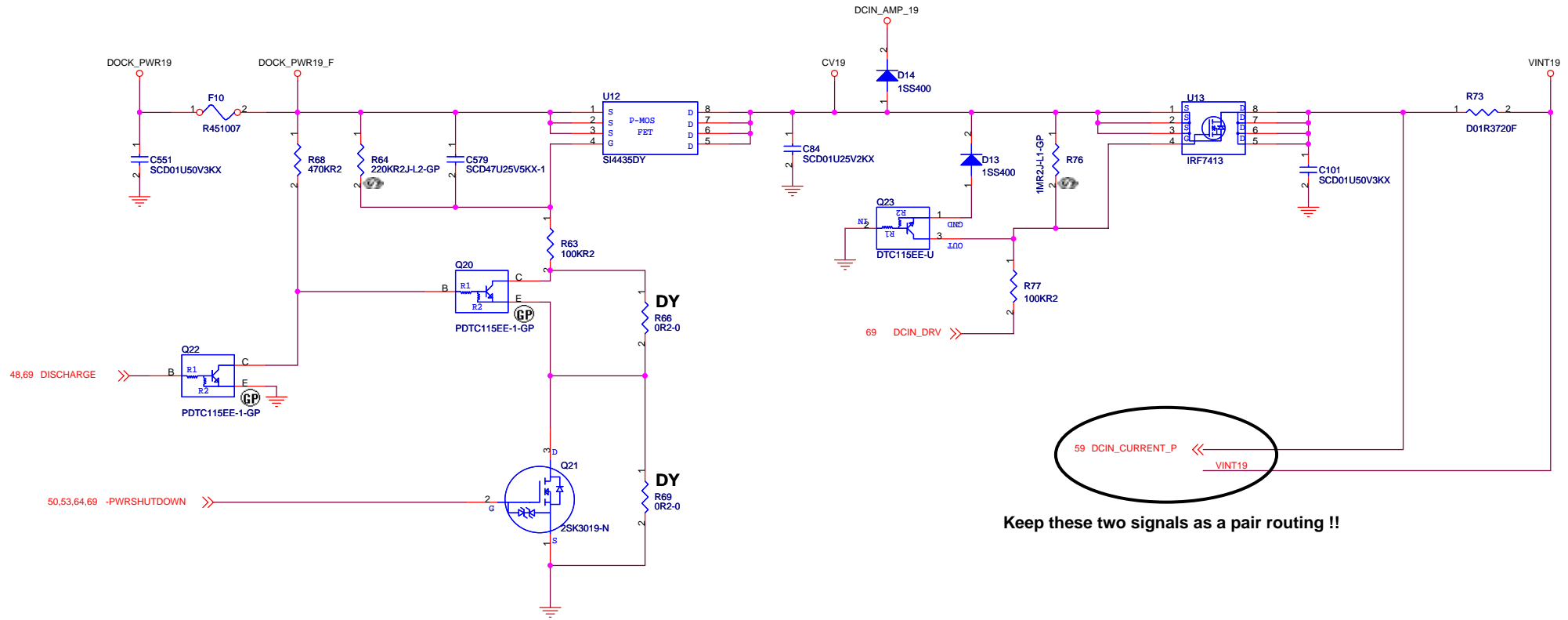




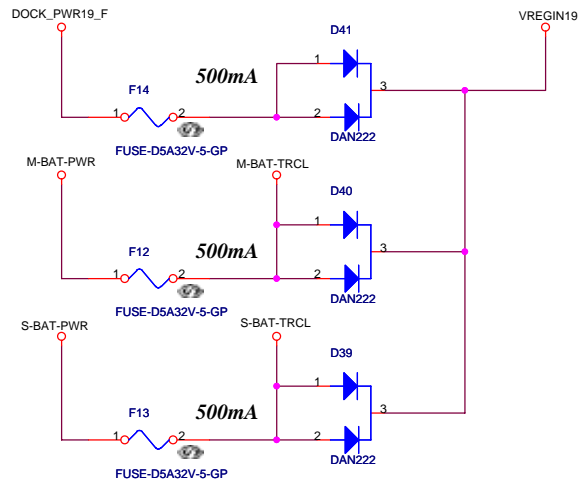
<Variant Name>

**緯創資通** **Wistron Corporation**  
21F, 88, Sec. 1, Hsin Tai Wu Rd., Hsichih,  
Taipei Hsien 221, Taiwan, R.O.C.

Title <b>EMC DECOUPLING</b>		
Size A3	Document Number <b>KS Note</b>	Rev <b>SB</b>
Date: Friday, July 22, 2005	Sheet 57	of 73



Keep these two signals as a pair routing !!

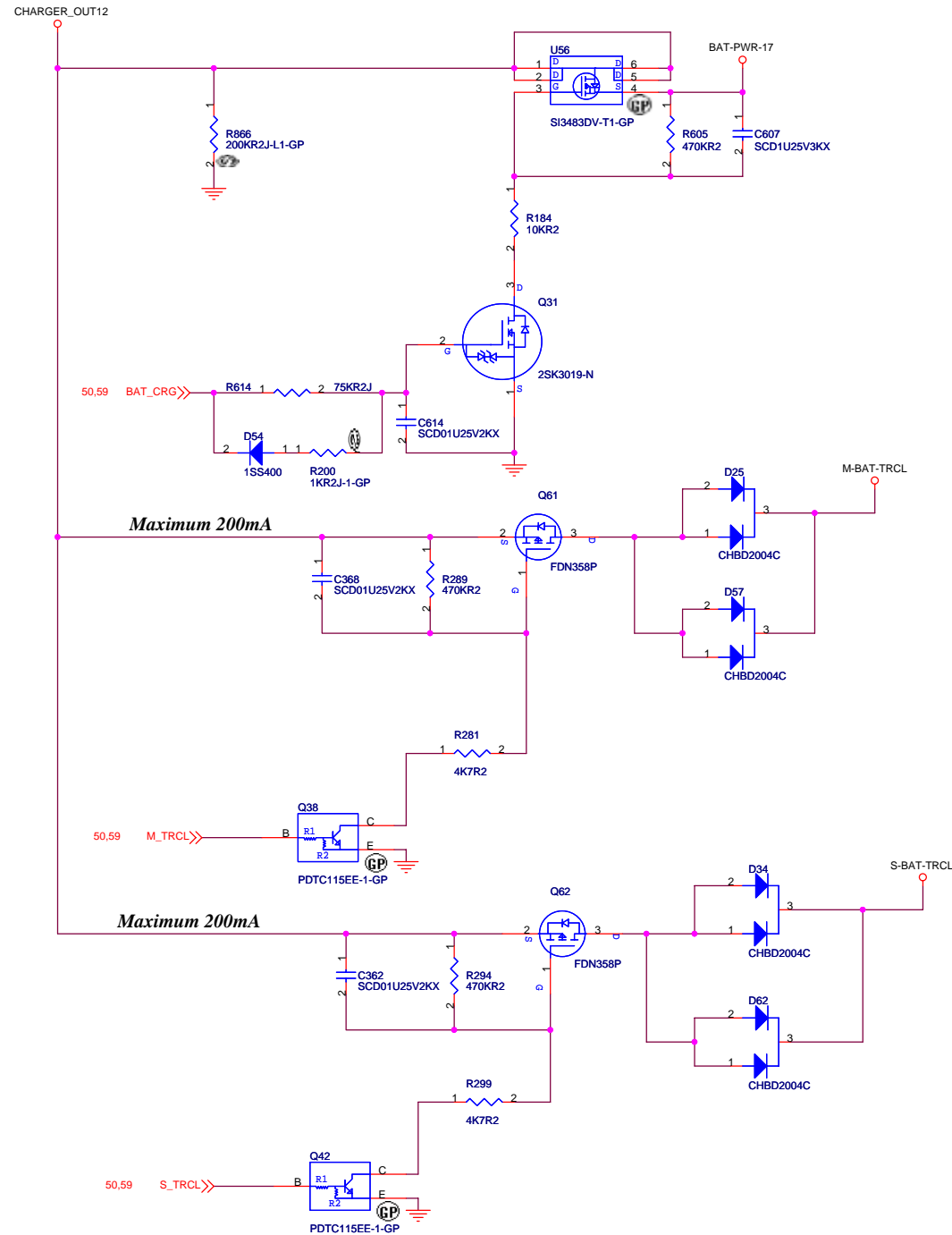


<Variant Name>

**緯創資通** **Wistron Corporation**  
 21F, 88, Sec.1, Hsin Tai Wu Rd., Hsichih,  
 Taipei Hsien 221, Taiwan, R.O.C.

Title			
<b>DC-IN AND CHARGER (1/2)</b>			
Size	Document Number	Rev	
A3		SB	
Date:	Friday, July 22, 2005	Sheet	58 of 73





Maximum 200mA

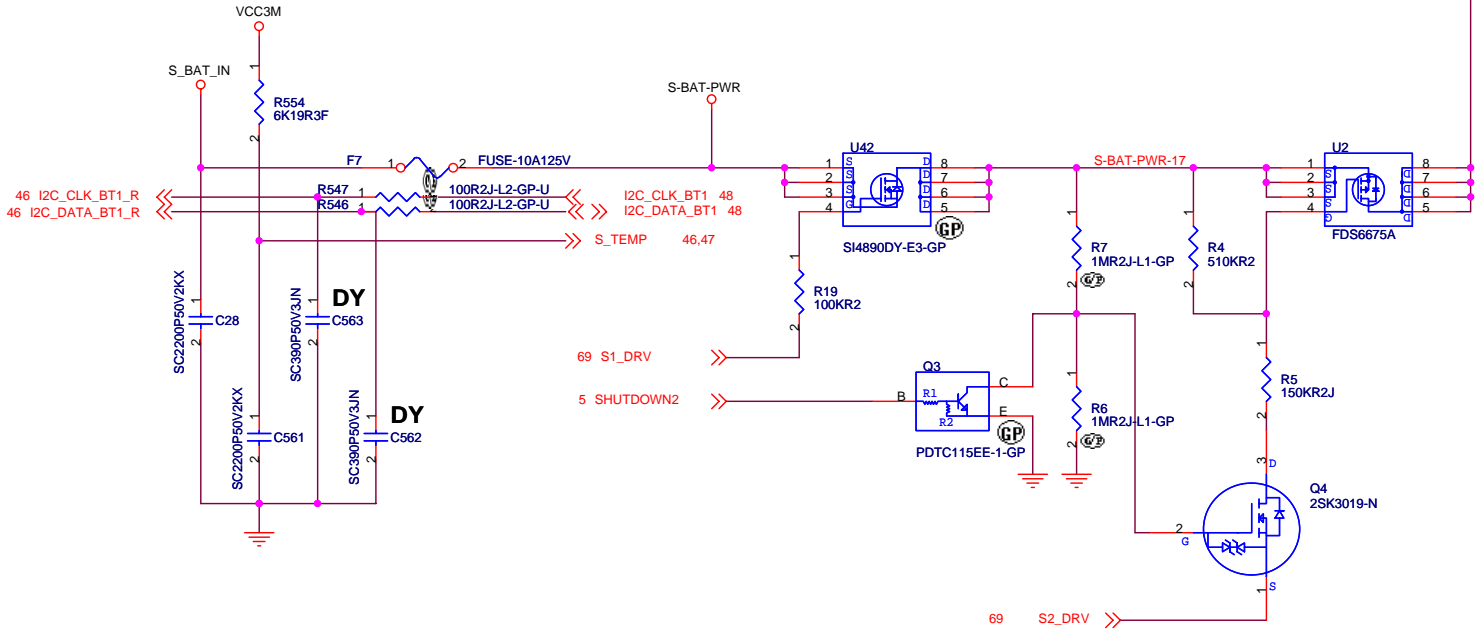
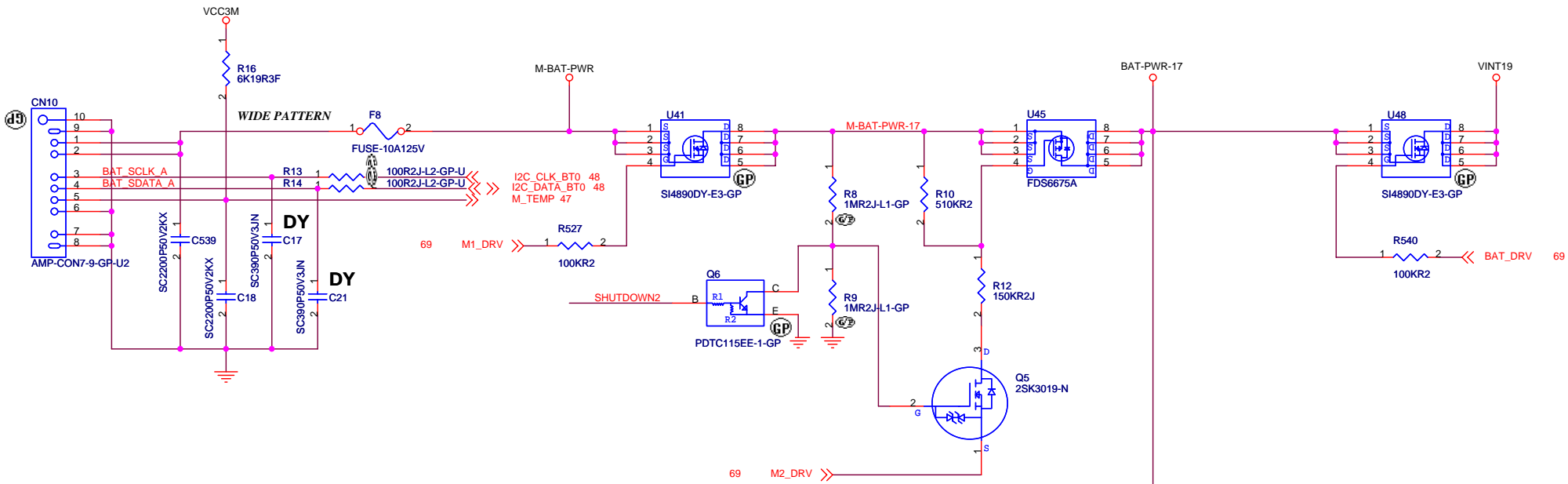
Maximum 200mA

<Variant Name>

**緯創資通 Wistron Corporation**  
 21F, 88, Sec.1, Hsin Tai Wu Rd., Hsichih,  
 Taipei Hsien 221, Taiwan, R.O.C.

Title  
**CHARGER SELECT**

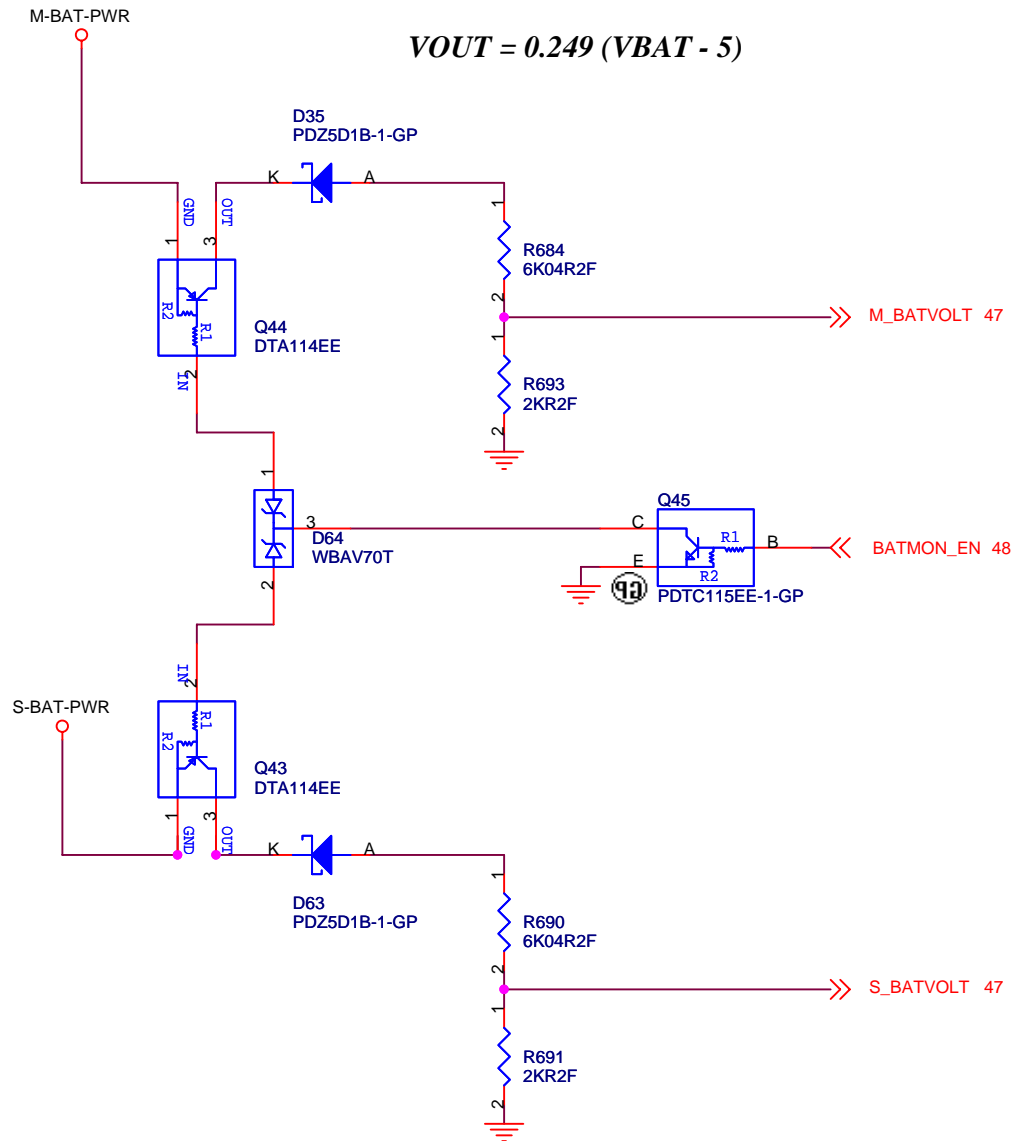
Size A3	Document Number <b>KS Note</b>	Rev <b>SB</b>
Date: Friday, July 22, 2005	Sheet 60 of 73	



<Variant Name>

緯創資通 **Wistron Corporation**  
 21F, 88, Sec.1, Hsin Tai WJ Rd., Hsichih,  
 Taipei Hsien 221, Taiwan, R.O.C.

Title			<b>BATTERY INPUT</b>		
Size	Document Number			Rev	
B				SB	
Date:	Friday, July 22, 2005	Sheet	61	of	73



<Variant Name>

緯創資通

**Wistron Corporation**  
21F, 88, Sec.1, Hsin Tai Wu Rd., Hsichih,  
Taipei Hsien 221, Taiwan, R.O.C.

Title

**BATTERY MONITOR**

Size  
A4

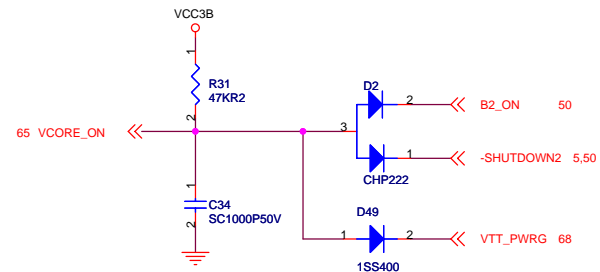
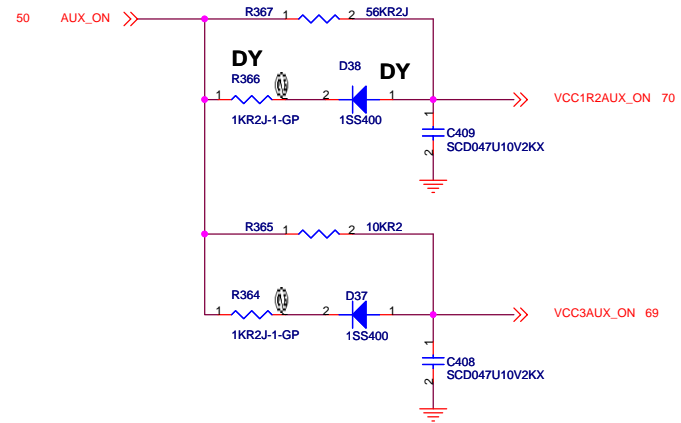
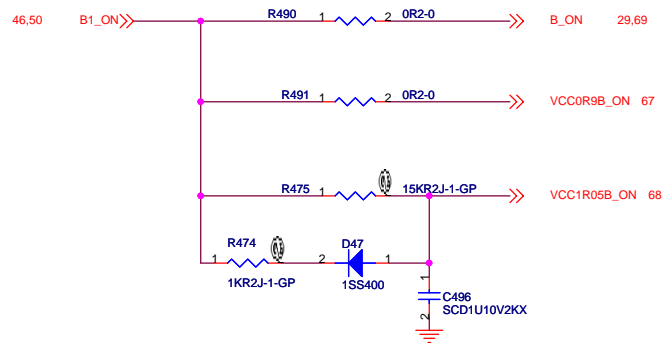
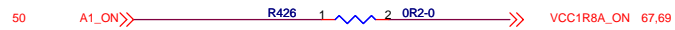
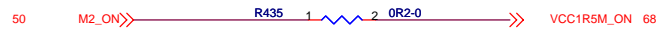
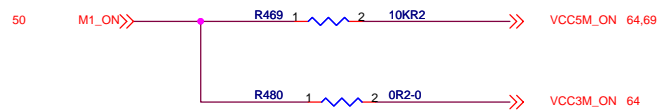
Document Number

**KS Note**

Rev  
**SB**

Date: Friday, July 22, 2005

Sheet 62 of 73



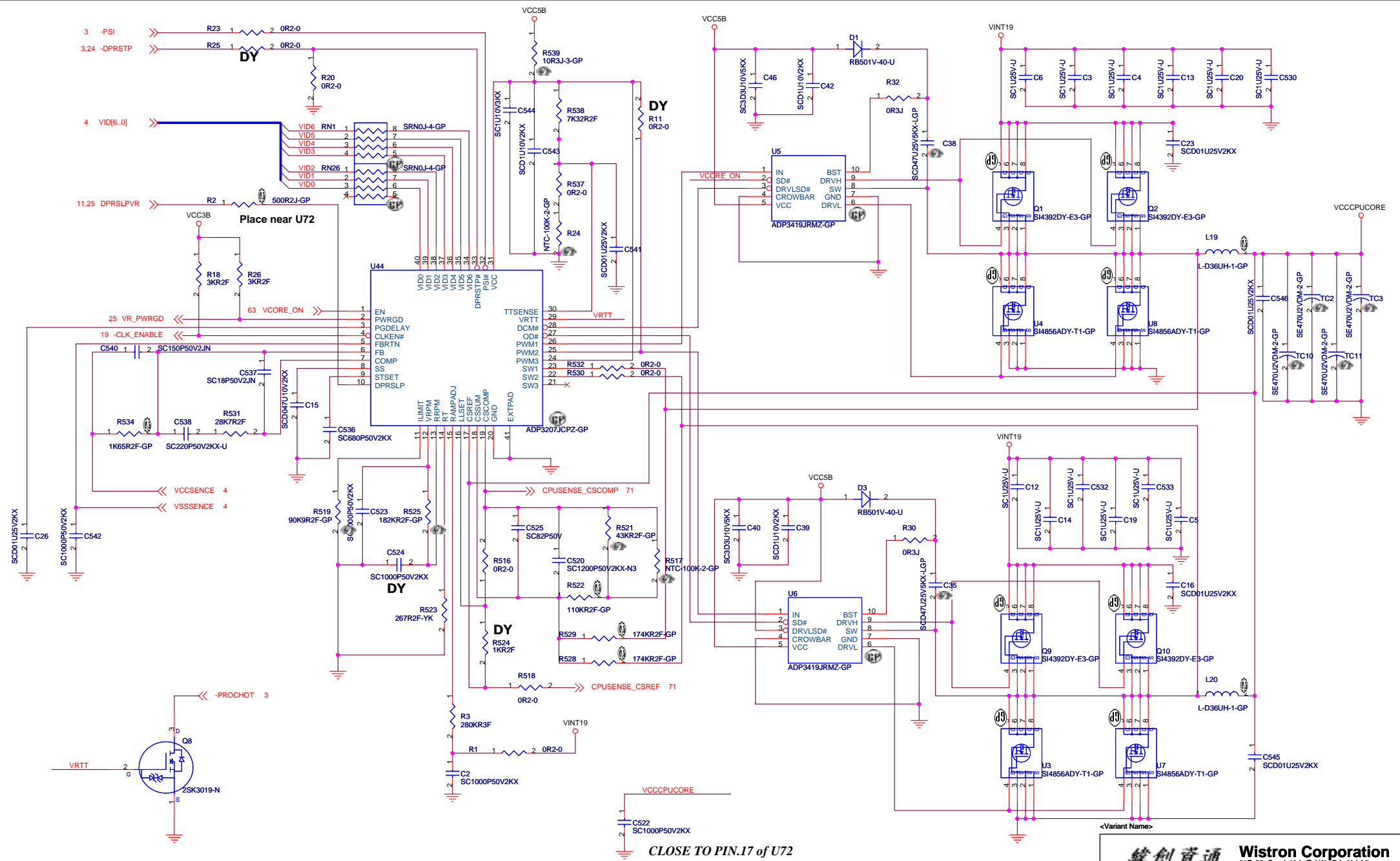
<Variant Name>

**緯創資通 Wistron Corporation**  
 21F, 88, Sec.1, Hsin Tai Wu Rd., Hsichih,  
 Taipei Hsien 221, Taiwan, R.O.C.

Title		<b>POWER SEQUENCE</b>	
Size	Document Number	KS Note	Rev
A3			SB
Date:	Friday, July 22, 2005	Sheet	63 of 73





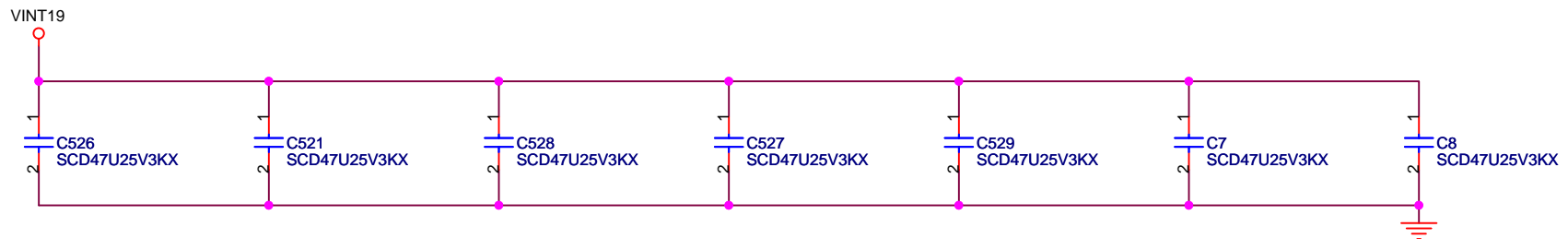


CLOSE TO PIN.17 of U72

<Variant Name>

<b>緯創資通 Wistron Corporation</b>			
21F, 88, Sec.1, Hsin Tai Wu Rd., Hsichih, Taipei Hsien 221, Taiwan, R.O.C.			
<b>DC-DC VCCCPUCORE</b>			
Title	Document Number		Rev
Size	Custom		SB
<b>KS Note</b>			
Date: Friday, July 22, 2005	Sheet 65	of 73	

***FOLLOWING 7 PCS OF 0.47UF AREA ASM FOR VCCCPUCORE TO REDUCE EMI***



<Variant Name>

緯創資通

**Wistron Corporation**  
 21F, 88, Sec.1, Hsin Tai Wu Rd., Hsichih,  
 Taipei Hsien 221, Taiwan, R.O.C.

Title

**DC-DC VCORE INPUT CAP**

Size  
A4

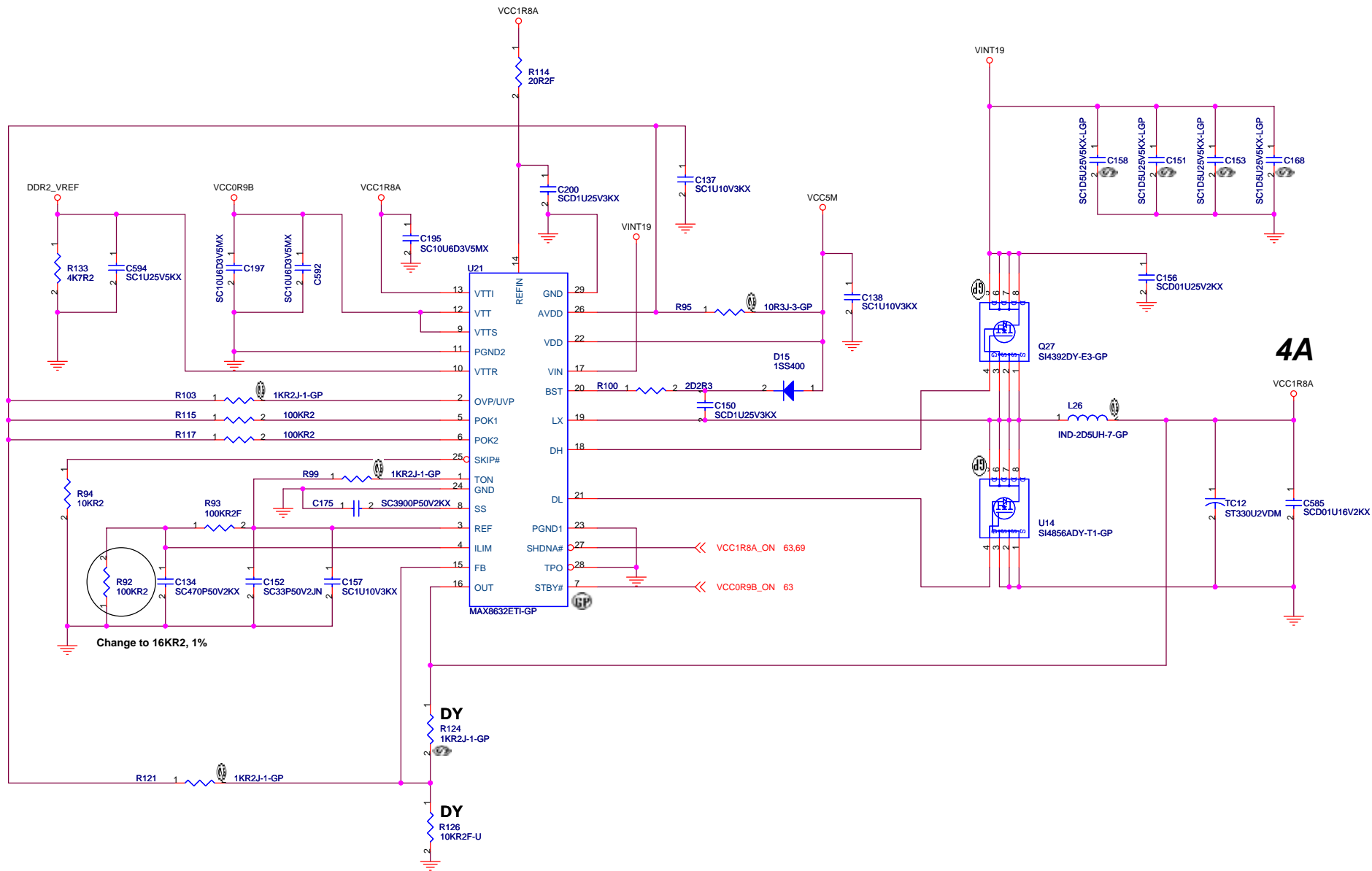
Document Number

**KS Note**

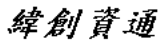
Rev  
**SB**

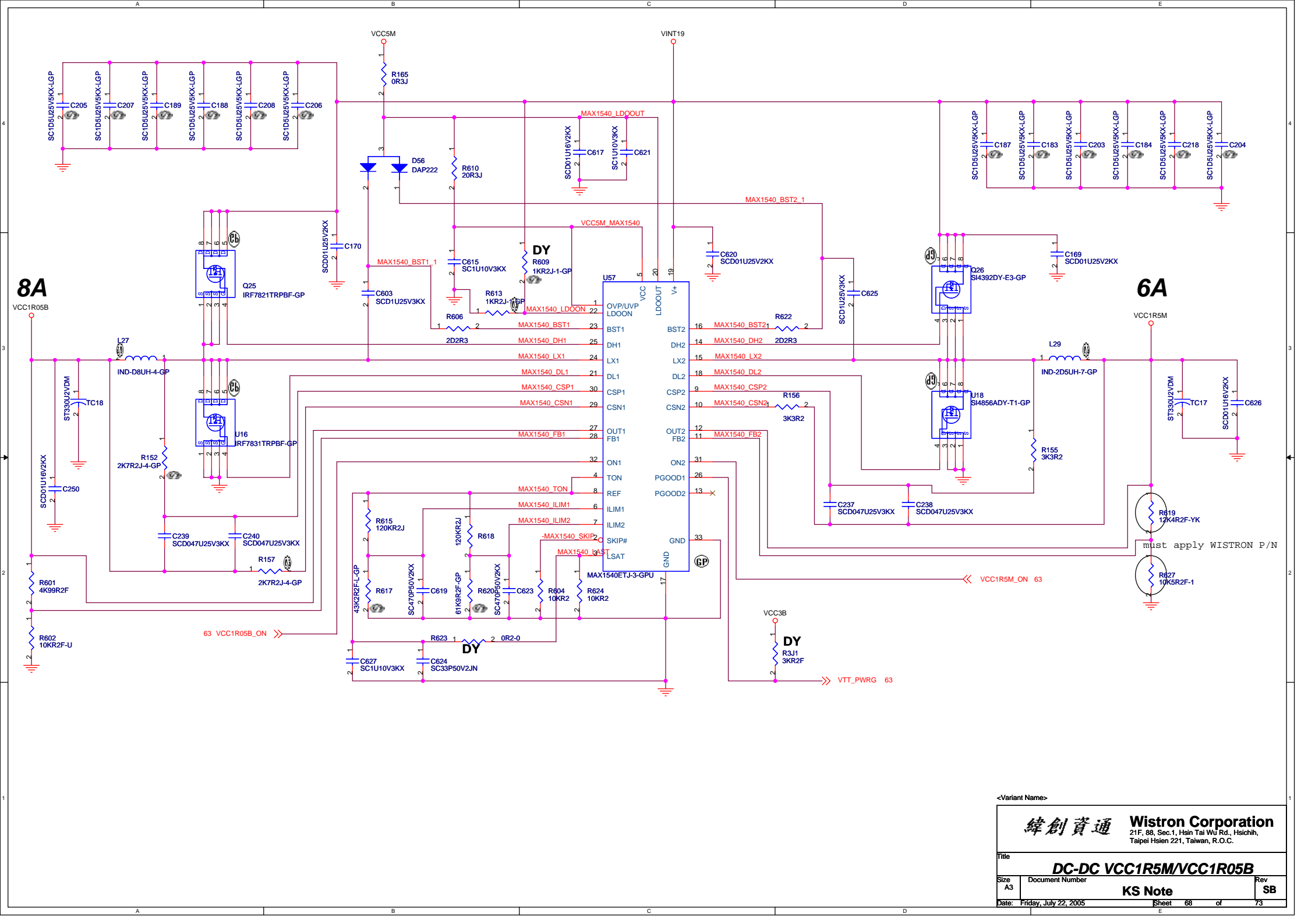
Date: Friday, July 22, 2005

Sheet 66 of 73



<Variant Name>

 <b>Wistron Corporation</b> 21F, 88, Sec.1, Hsin Tai Wu Rd., Hsichih, Taipei Hsien 221, Taiwan, R.O.C.	
<b>DC-DC VCC1R8A</b>	
Title Size A3 Date: Friday, July 22, 2005	Document Number <b>KS Note</b> Sheet 67 of 73
Rev <b>SB</b>	



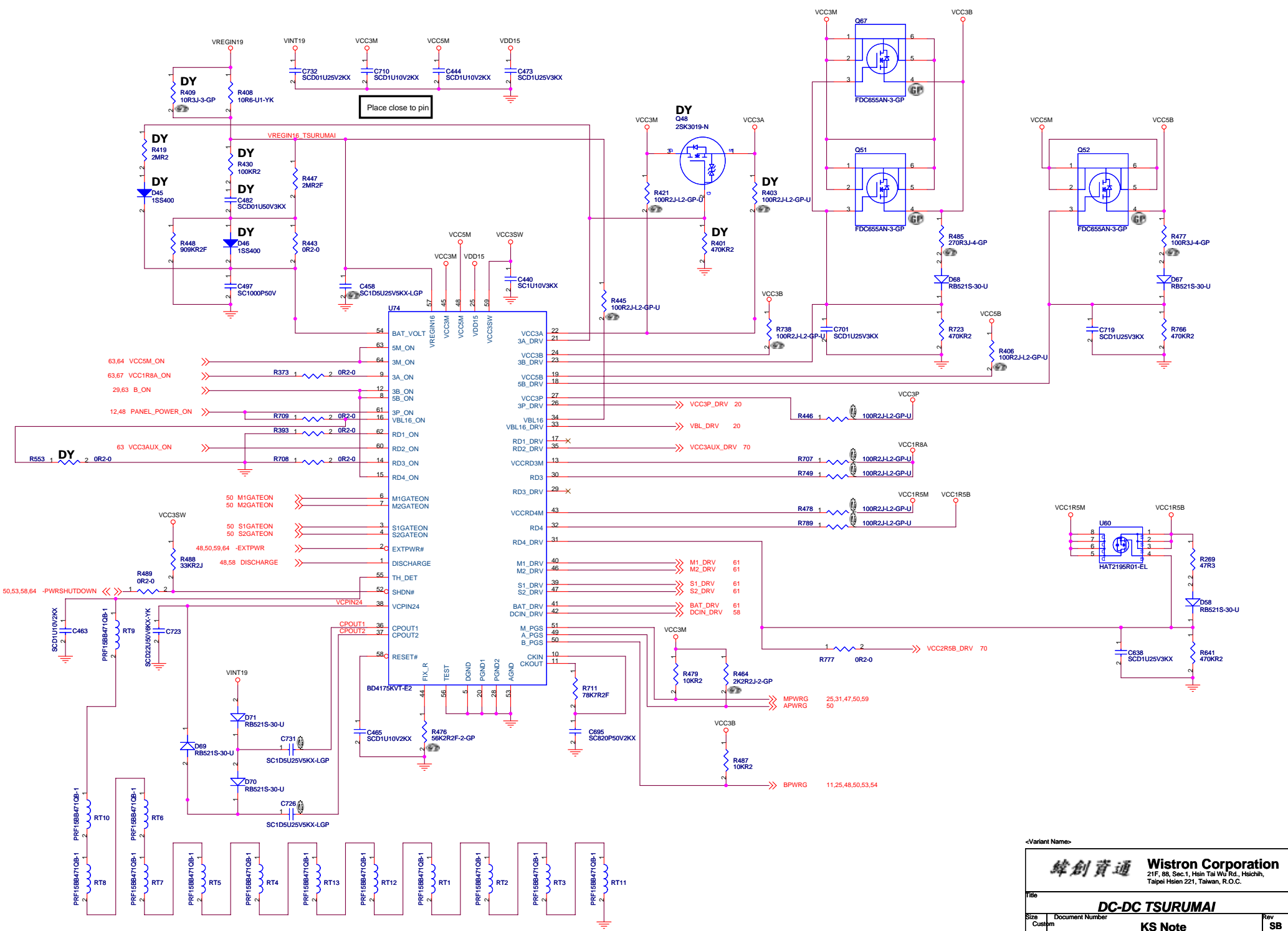
<Variant Name>

**緯創資通 Wistron Corporation**  
 21F, 88, Sec.1, Hsin Tai Wu Rd., Hsichih,  
 Taipei Hsien 221, Taiwan, R.O.C.

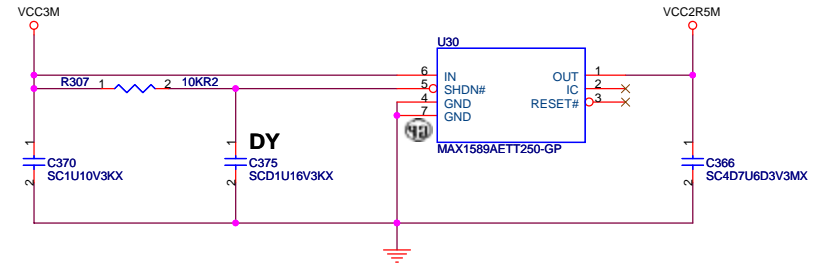
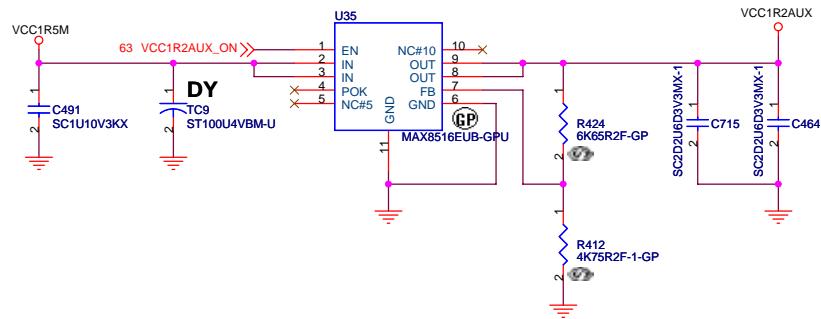
Title  
**DC-DC VCC1R5M/VCC1R05B**

Size A3	Document Number <b>KS Note</b>	Rev <b>SB</b>
------------	-----------------------------------	------------------

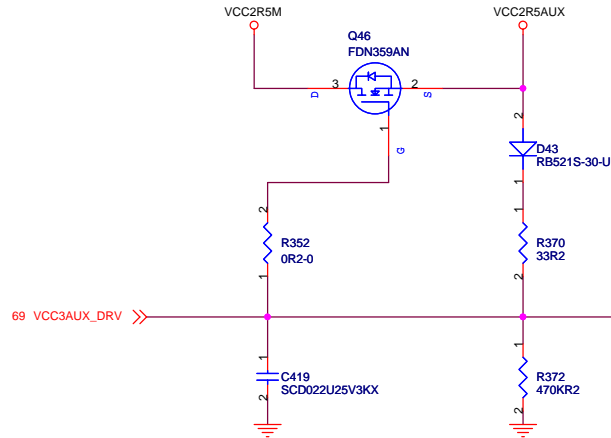
Date: Friday, July 22, 2005 Sheet 68 of 73



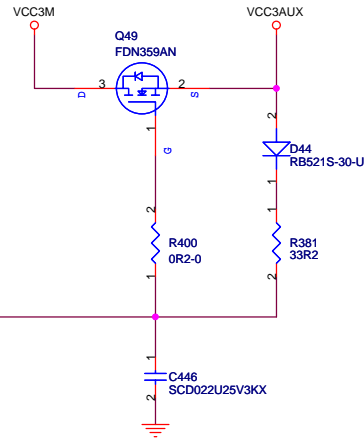
# VCC1R2AUX



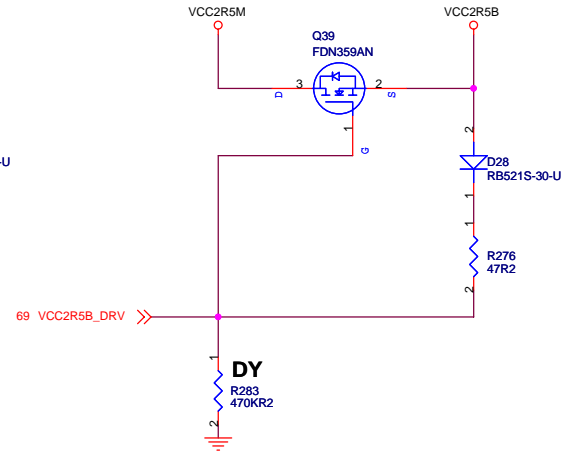
# VCC2R5AUX




# VCC3AUX



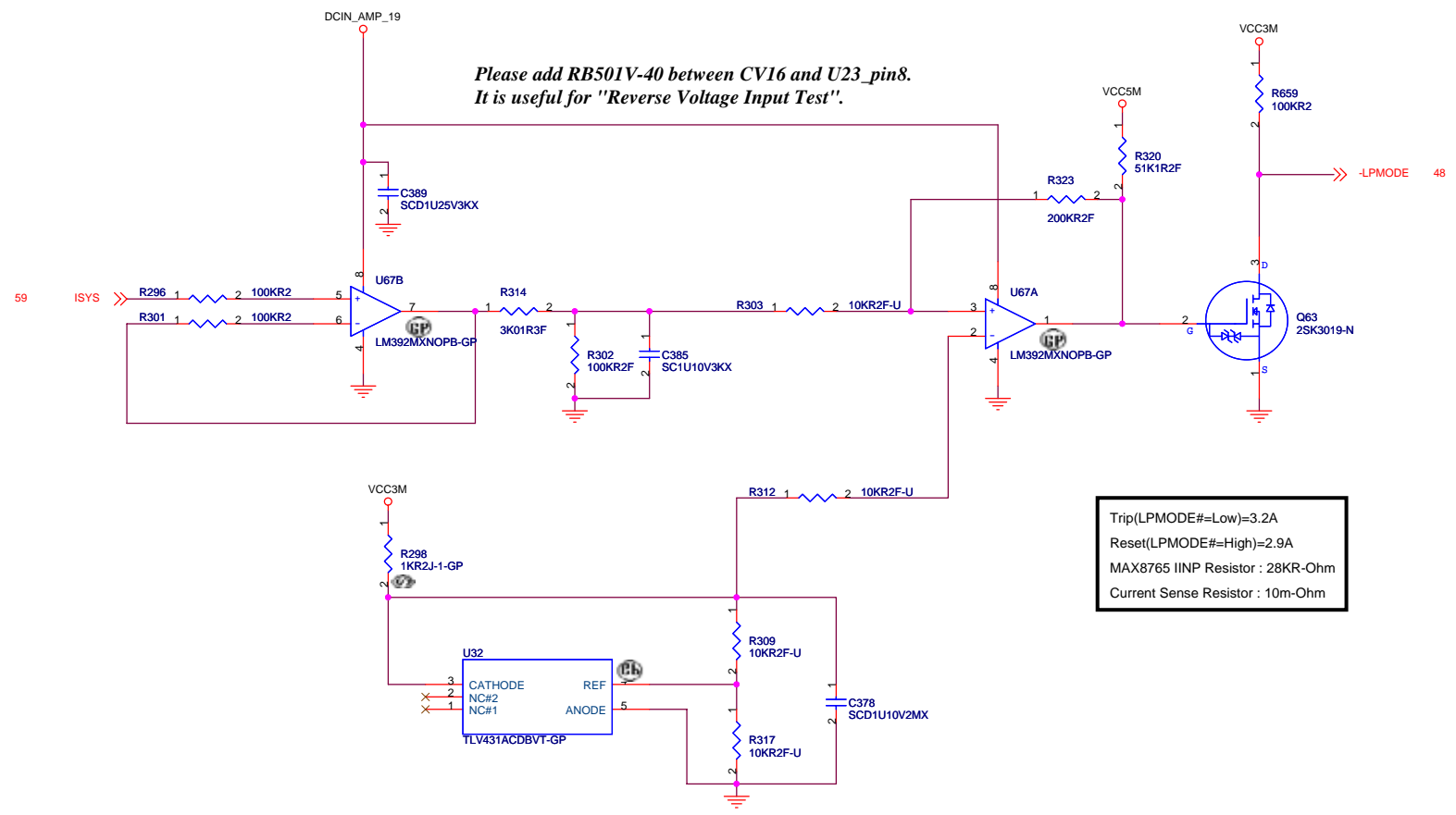
# VCC2R5B



<Variant Name>

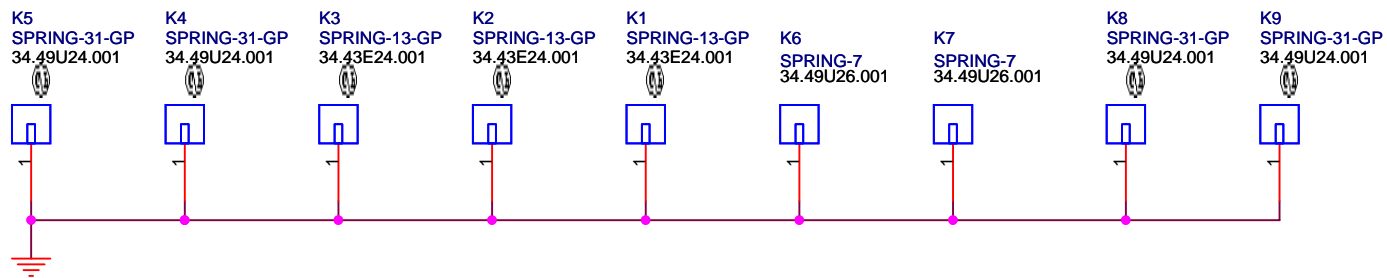
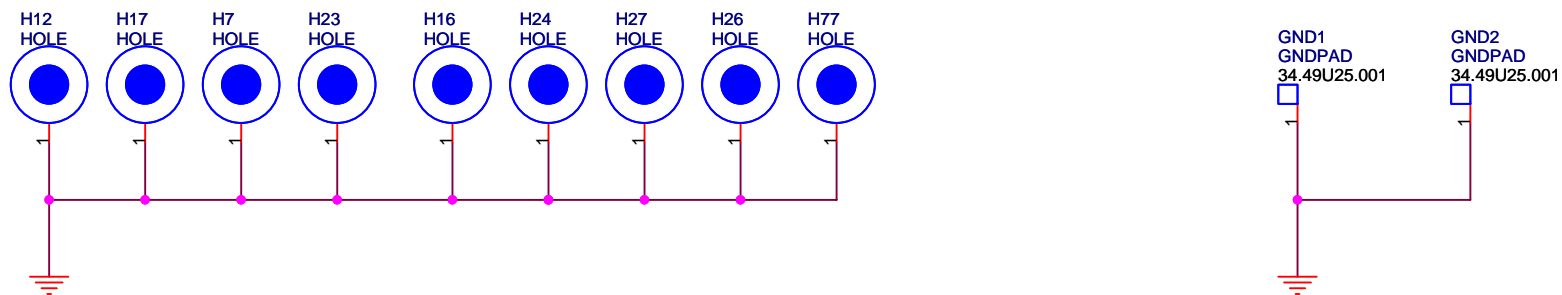
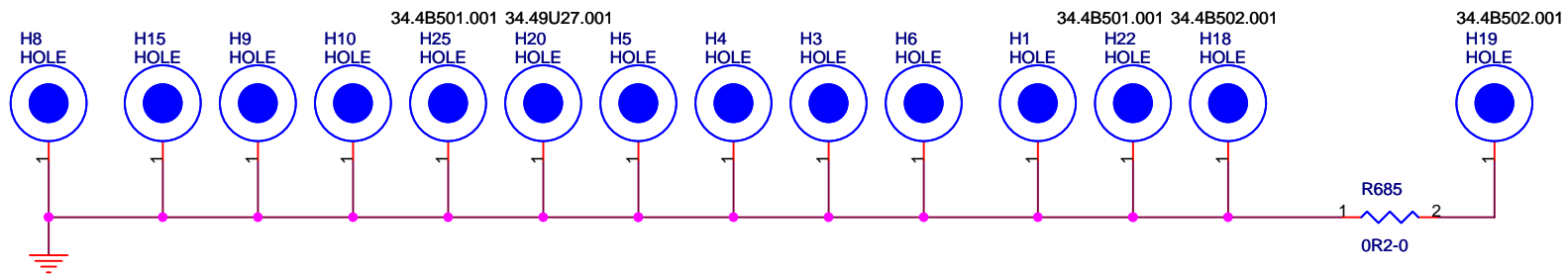
 <b>Wistron Corporation</b> 21F, 88, Sec.1, Hsin Tai Wu Rd., Hsichih, Taipei Hsien 221, Taiwan, R.O.C.		
<b>LOAD SW</b>		
Title Size A3	Document Number <b>KS Note</b>	Rev <b>SB</b>
Date: Friday, July 22, 2005		Sheet 70 of 73





Trip(LPMODE#=Low)=3.2A  
 Reset(LPMODE#=High)=2.9A  
 MAX8765 IINP Resistor : 28KR-Ohm  
 Current Sense Resistor : 10m-Ohm





<Variant Name>

**緯創資通** **Wistron Corporation**  
 21F, 88, Sec.1, Hsin Tai Wu Rd., Hsichih,  
 Taipei Hsien 221, Taiwan, R.O.C.

Title

**HOLES/GND/PADS**

Size  
A4

Document Number

**KS Note**

Rev  
**SB**

Date: Friday, July 22, 2005

Sheet 73 of 73