

超晶香港有限公司  
富满电子有限公司

SUPER CHIP (HONG KONG) COMPANY LIMITED.

SC6928B(文件编号: S&CIC0460)

LED Driver IC

## DESCRIPTION

SC6928B is an LED Controller driven on a 1/7to 1/8 duty factor. Eleven segment output lines, six grid output lines, 1 segment/grid output lines, one display memory, control circuit , key scan circuit are all incorporated into a single chip to build a highly reliable peripheral device for a single chip microcomputer. Serial data is fed to SC6928B via a four-line serial interface. Housed in a 28-pin SO Package, SC6928B pin assignments and application circuit are optimized for easy PCB Layout and cost saving advantages.

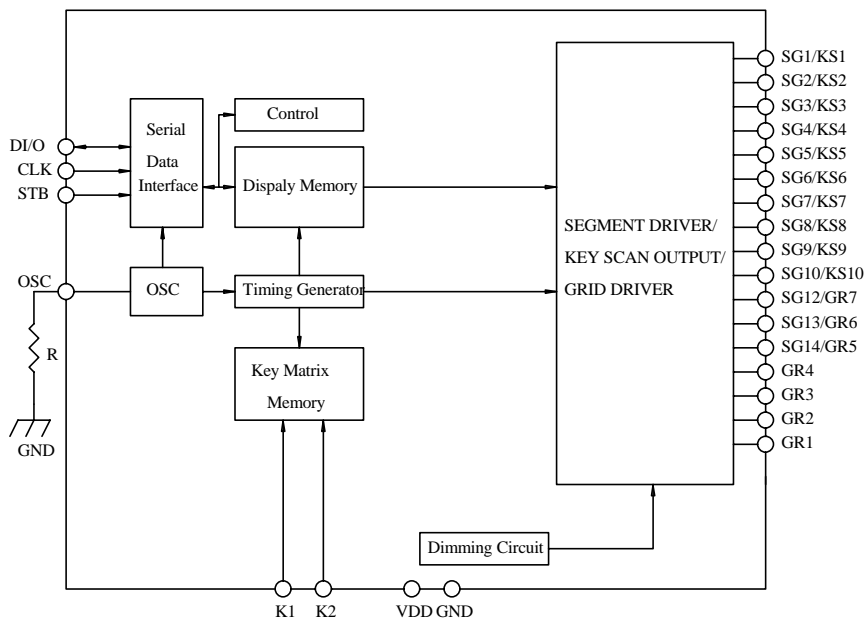
## FEATURES

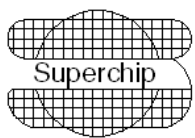
- CMOS Technology
- Low Power Consumption
- Multiple Display Modes
- Key Scanning
- 8-Step Dimming Circuitry
- Serial Interface for Clock, Data Input, Data Output, Strobe Pins
- Available in 28-Pin, SOP Package

## APPLICATION

- Micro-computer Peripheral Device
- VCR set
- Combi set

## BLOCK DIAGRAM





超晶香港有限公司  
富满电子有限公司

SUPER CHIP (HONG KONG) COMPANY LIMITED.

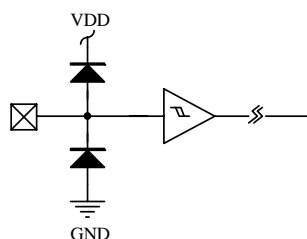
SC6928B(文件编号: S&CIC0460)

LED Driver IC

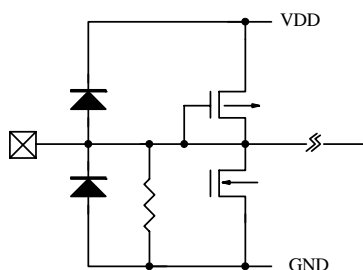
## INPUT/OUTPUT CONFIGURATIONS

The schematic diagrams of the input and output circuits of the logic section are shown below.

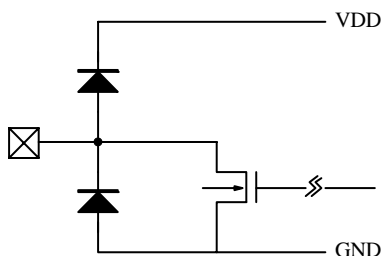
**Input Pins: CLK, STB & DIN**



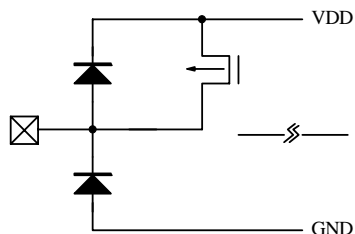
**Input Pins: K1 to K2**



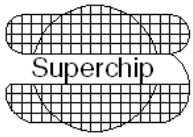
**Output Pins: DOUT, GR1 to GR4**



**Output Pins: SG1 to SG10**



**Output Pins: GR5, GR6 and SG12/GR7**

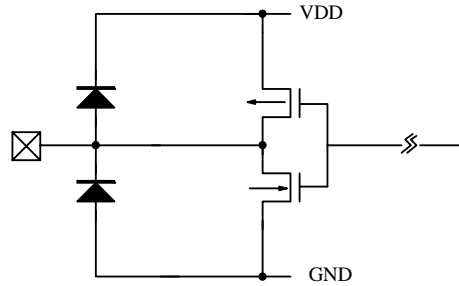


超晶香港有限公司  
富满电子有限公司

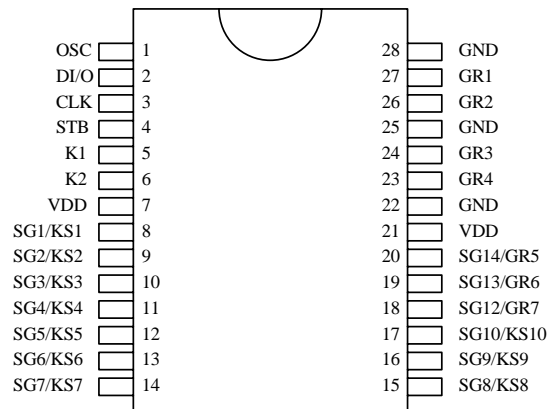
SUPER CHIP (HONG KONG) COMPANY LIMITED.

SC6928B (文件编号: S&CIC0460)

LED Driver IC

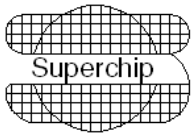


### PIN CONFIGURATION



### PIN DESCRIPTION

| Pin Name             | I/O | Description   | Pin No.  |
|----------------------|-----|---|----------|
| OSC                  | I   | Oscillator Input Pin<br>A resistor is connected to this pin to determine the oscillation frequency  | 1        |
| DI/O                 | I/O | Data Output Pin ( N-Channel, Open-Drain ) or Data Input pin<br>This pin Outputs/Input serial data at the falling(rising) edge of the shift clock. | 2        |
| CLK                  | I   | Clock Input Pin<br>This pin reads serial data at the rising edge and outputs data at the falling edge.  | 3        |
| STB                  | I   | Serial Interface Strobe Pin<br>The data input after the STB has fallen is processed as a command<br>When this pin is "HIGH", CLK is ignored.      | 4        |
| K1 to K2             | I   | Key Data Input Pins. The data sent to these pins are latched at the end of the display cycle. ( Internal Pull-Low Resistor)                       | 5,6      |
| GND                  | -   | Ground Pin  | 22,25,28 |
| SG1/KS1 to SG10/KS10 | O   | Segment Output Pins ( p-channel, open drain )<br>Also acts as the Key Source  | 8~17     |
| SG12/GR7 to SG14/GR5 | O   | Segment/Grid Output Pins  | 18~20    |



**SC6928B**(文件编号: S&CIC0460)

**LED Driver IC**

|            |   |                  |             |
|------------|---|------------------|-------------|
| VDD        | - | Power Supply     | 7,21        |
| GR4 to GR1 | O | Grid Output Pins | 23,24,26,27 |

FUNCTIONAL DESCRIPTION

COMMANDS

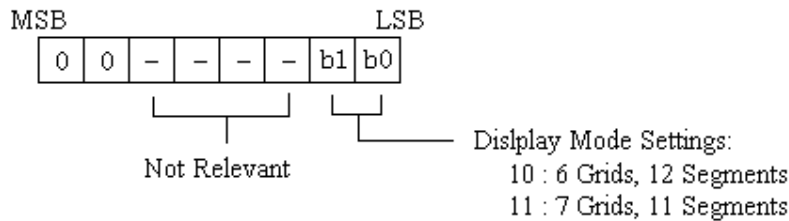
A command is the first byte ( b0 to b7 ) inputted to SC6928B via the DIN Pin after STB pin has changed from HIGH to LOW Stage. If for some reason the STB Pin is set to HIGH while data or commands are being transmitted, the serial communications is initialized, and the data/commands being transmitted are considered invalid.

**Command 1: Display Mode Setting Commands**

SC6928B provides 2 display mode settings as shown in the diagram below: As stated earlier a command is the first one byte ( b0 to b7 ) transmitted to SC6928B via the DIN Pin when STB is LOW. However, for these commands, the bit 3 to bit 6 (b2 to b5) are ignored, bit 7 & bit 8 (b6 to b7) are given value of 0.

The Display Mode Setting Commands determine the number of segments and grids to be used (12 to 11 segments, 6 to 7 grids). A display command ON must be executed in order to resume display. If the same mode setting is selected, no command execution is take place, therefore, nothing happens.

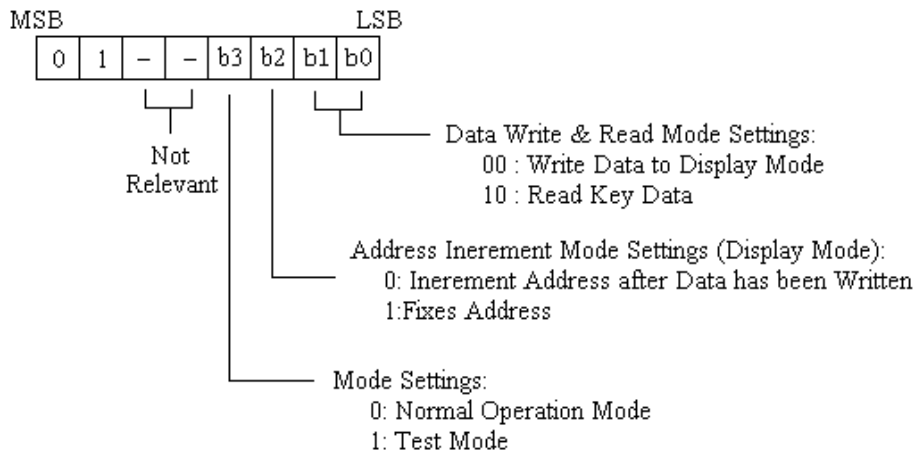
When Power is turned ON, the 7-grid, 11-segment modes is selected.



**Command 2: Data Setting Commands**

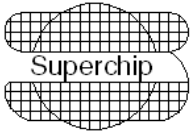
The Data Setting Commands executes the Data Write or Data Read Modes for SC6928B. The data Setting Command, the bits 5 and 6 (b4,b5) are ignored, bit 7 (b6) is given the value of 1 while bit 8 (b7) is given the value of 0. Please refer to the diagram below.

When power is turned ON, bit 4 to bit 1 (b3 to b0) are given the value of 0.



**SC6928B KEYMATRIX & KEYINPUT DATA STORAGE RAM**

SC6928B Key Matrix consists of 10 x 3 array as shown below:

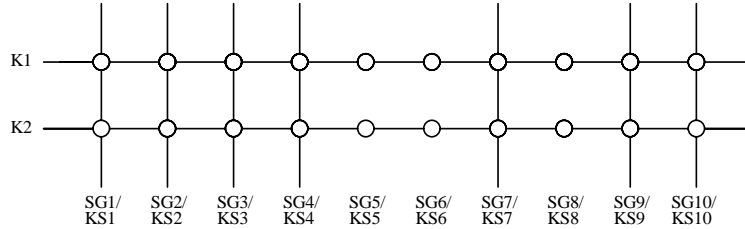


超晶香港有限公司  
富满电子有限公司

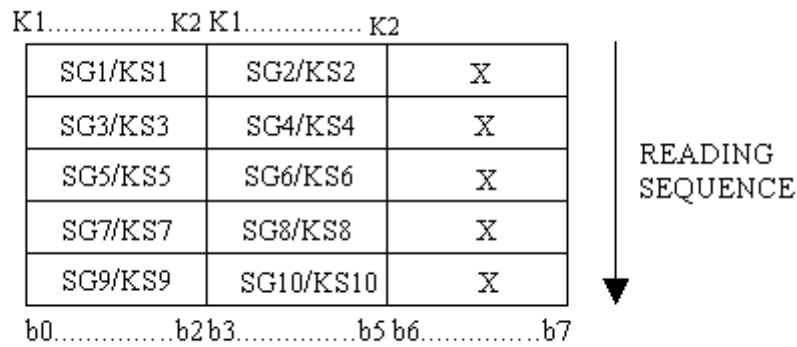
SUPER CHIP (HONG KONG) COMPANY LIMITED.

SC6928B(文件编号: S&CIC0460)

LED Driver IC



Each data entered by each key is stored as follows and read by a READ Command, starting from the last significant bit. When the most significant bit of the data (b0) has been read, the least significant bit of the next data (b7) is read.

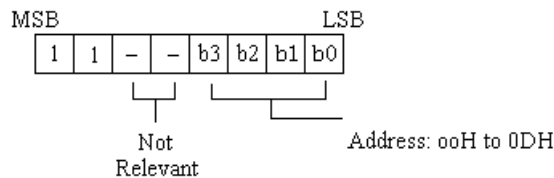


Note: b6 and b7 do not care

**Command 3: Address Setting Commands**

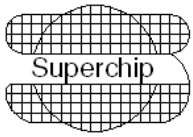
Address Setting Commands are used to set the address of the display memory. The address is considered valid if it has a value of 00H to 0DH. If the address is set to 0EH or higher, the data is ignored until a valid address is set. When power is turned ON, the address is set at 00H.

Please refer to the diagram below.



**DISPALYMODE AND RAMADDRESS**

Data transmitted from an external device to SC6928B via the serial interface are stored in the Display RAM and are assigned addresses. The RAM addresses of SC6928B are given below in 8 bits unit.



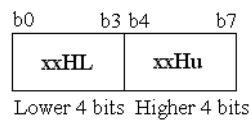
超晶香港有限公司  
富满电子有限公司

SUPER CHIP (HONG KONG) COMPANY LIMITED.

SC6928B(文件编号: S&CIC0460)

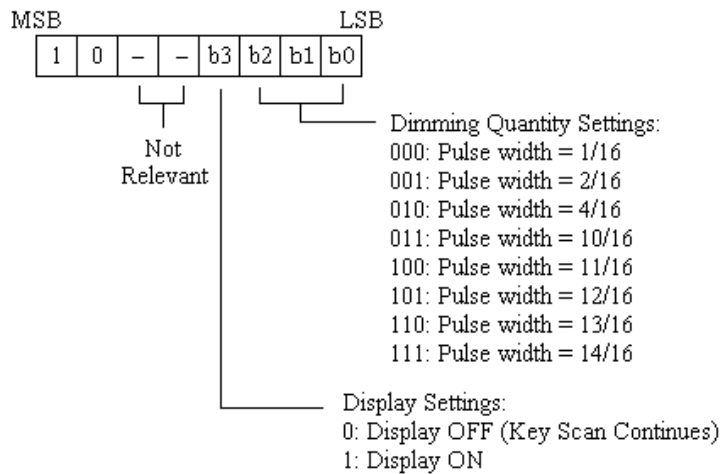
LED Driver IC

| SG1  | SG4 SG5 | SG8 SG9 | SG12 |
|------|---------|---------|------|
| 00HL | 00Hu    | 01HL    | DIG1 |
| 02HL | 02Hu    | 03HL    | DIG2 |
| 04HL | 04Hu    | 05HL    | DIG3 |
| 06HL | 06Hu    | 07HL    | DIG4 |
| 08HL | 08Hu    | 09HL    | DIG5 |
| 0AHL | 0AHu    | 0BHL    | DIG6 |
| 0CHL | 0CHu    | 0DHL    | DIG7 |



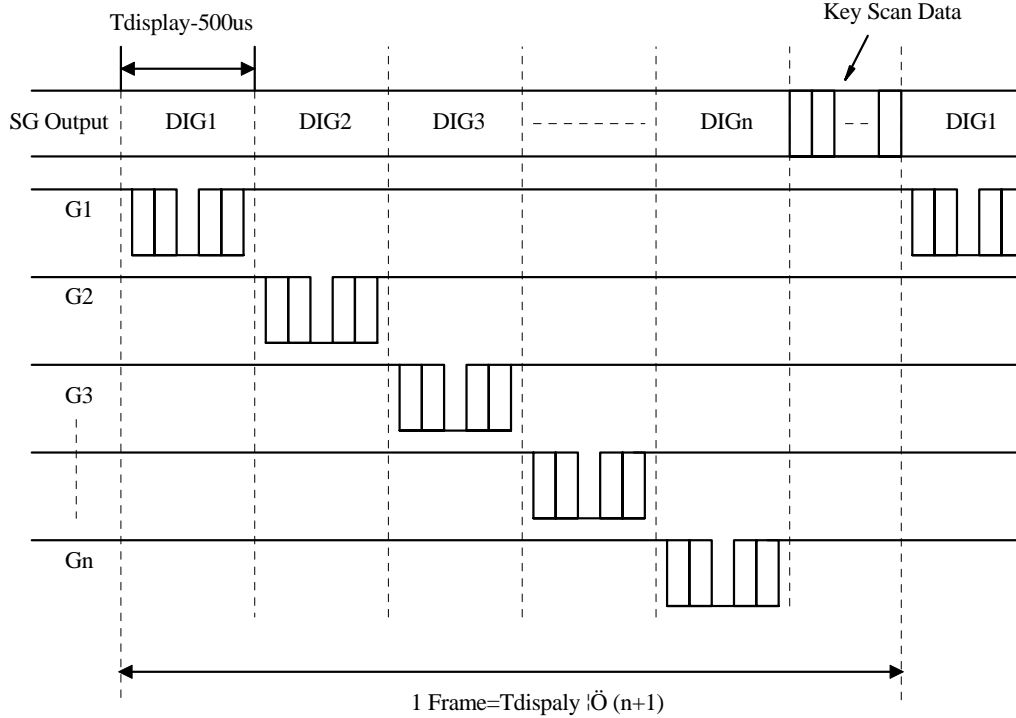
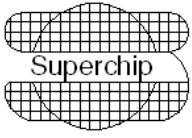
#### Command 4: Display Control Commands

The Display Control Commands are used to turn ON or OFF a display. It also used to set the pulse width. Please refer to the diagram below. When the power is turned ON, a 1/16 Pulse width is selected and the displayed is turned OFF (the key scanning is started).



### SCANNING AND DISPLAY TIMING

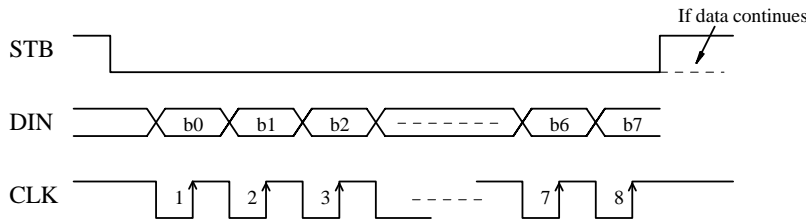
The key Scanning and Display Timing diagram is given below. One cycle of key scanning consists of 2 frames. The data of the are 10 x 3 matrix is stored in the RAM.



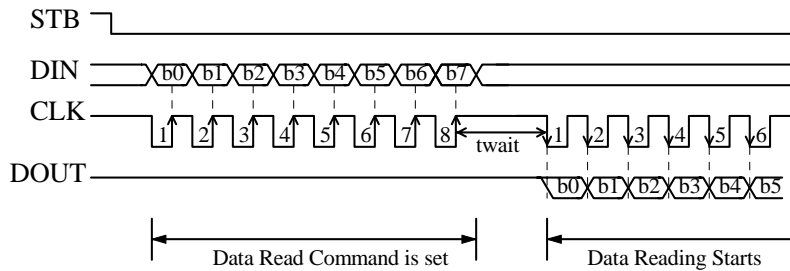
## SERIAL COMMUNICATION FROMAT

The following diagram shows the SC6928B serial communication format. The DOUT Pin is an N-channel, opendrain output pin, therefore, it is highly recommended that an external pull-up resistor (1 KOHms to 10 KOHms) must be connected to DOUT.

### RECEPTION (Data/Command Write)

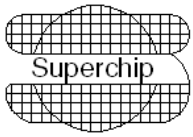


### TRANSMISSION (Data Read)



where:  $t_{wait}$  (waiting time)  $\geq 1 \mu s$

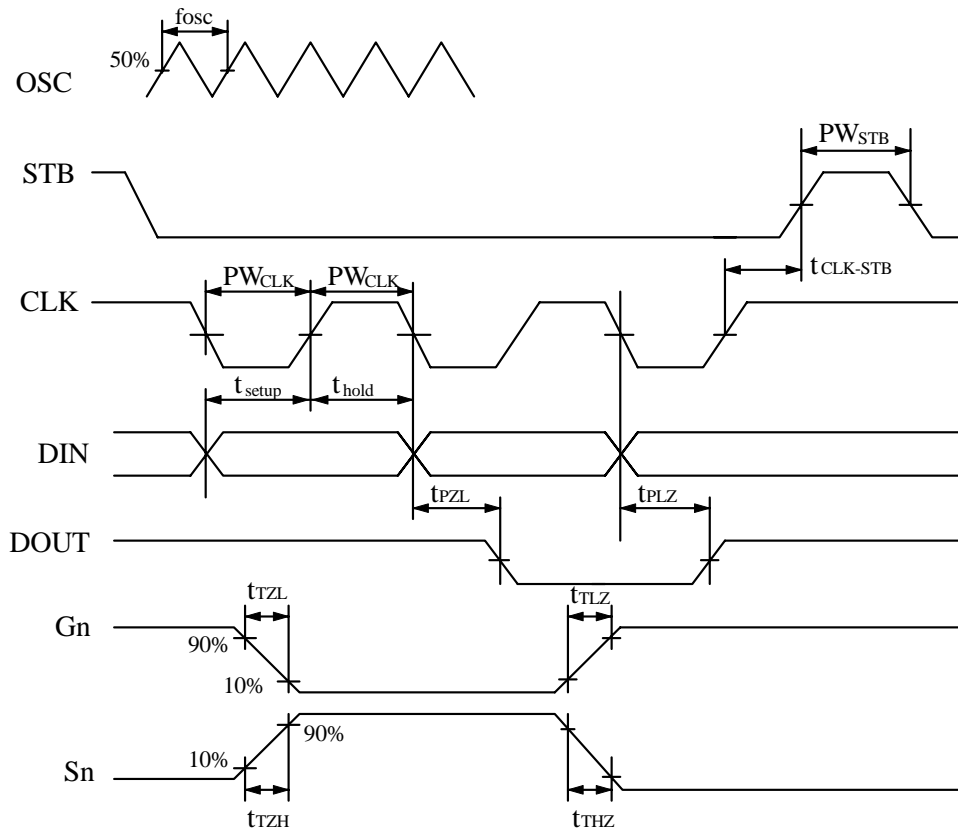
It must be noted that when the data is read, the waiting time ( $t_{wait}$ ) between the rising of the eighth clock that has set the



command and the falling of the first clock that has read the data is greater or equal to  $1 \mu s$ .

### SWITCHING CHARACTERISTIC WAVEFORM

SC6928B Switching Characteristics Waveform is given below.



where:  $PW_{CLK}$  (Clock Pulse Width)  $\geq 400nS$   
 $t_{setup}$  (Data Setup Time)  $\geq 100nS$   
 $t_{CLK-STB}$  (Clock-Strobe Time)  $\geq 1 \mu s$   
 $t_{TZH}$ (Rise Time)  $\leq 1 \mu s$   
 $f_{osc}$ =Oscillation Frequency  
 $t_{TZL} < 1 \mu s$

$PW_{STB}$  (Strobe Pulse Width)  $\geq 1 \mu s$   
 $t_{hold}$  (Data Hold Time)  $\geq 100nS$   
 $t_{THZ}$ (Fall Time) $\leq 10 \mu s$   
 $t_{PZL}$ (Propagation Delay Time)  $\leq 100nS$   
 $t_{PLZ}$ (Propagation Delay Time)  $\leq 300uS$   
 $t_{TLZ} < 10 \mu s$

Note: Test condition under

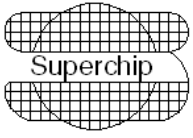
$t_{THZ}$  ( Pull low resistor=100k ohms, Loading capacitor =300pf)

$t_{TLZ}$  (Pull high resistor =100k ohms, Loading capacitor=300pf )

### APPLICATIONS

Display memory is updated by incrementing addresses. Please refer to the following diagram.



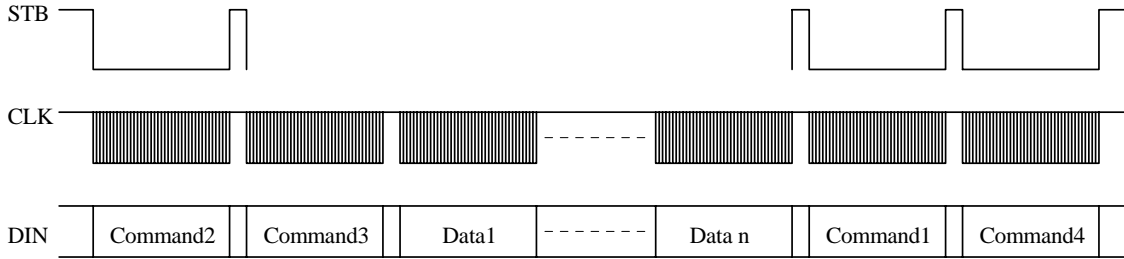


超晶香港有限公司  
富满电子有限公司

SUPER CHIP (HONG KONG) COMPANY LIMITED.

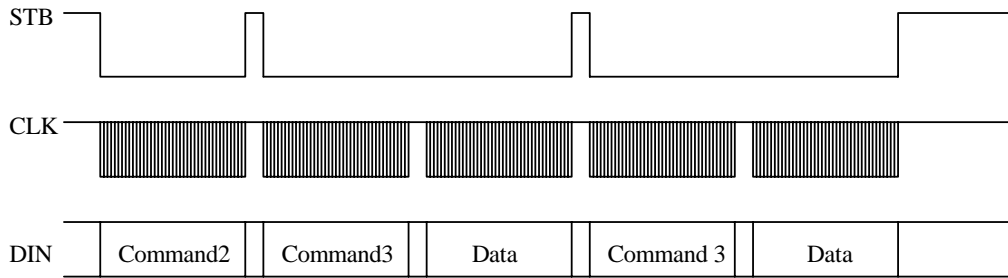
SC6928B(文件编号: S&CIC0460)

LED Driver IC

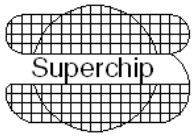


- where: Command 1: Display Mode Setting Command
- Command 2: Data Setting Command
- Command 3: Address Setting Command
- Data 1 to n : Transfer Display Data (14 Bytes max.)
- Command 4: Display Control Command

The following diagram shows the waveforms when updating specific addresses.



- where: Command 2 — Data Setting Command
- Command 3 — Address Setting Command
- Data — Display Data



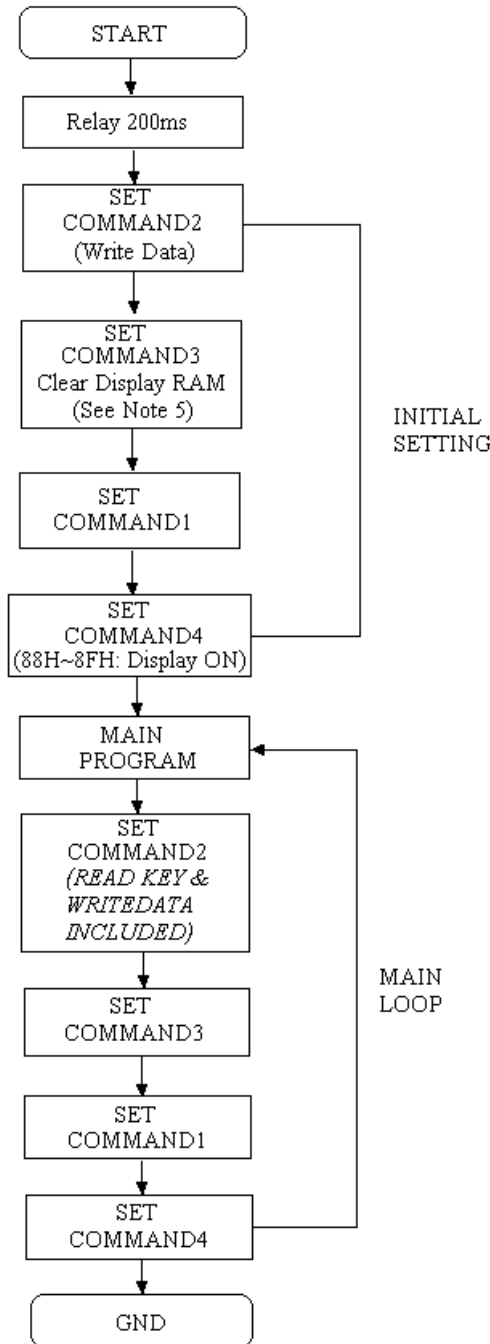
超晶香港有限公司  
富满电子有限公司

SUPER CHIP (HONG KONG) COMPANY LIMITED.

SC6928B(文件编号: S&CIC0460)

LED Driver IC

RECOMMENDED SOFTWARE PROGRAMMING FLOWCHART



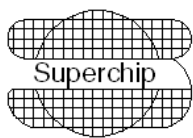
Note: 1. Command 1: Display Mode Commands

2. Command 2: Data Setting Commands

3. Command 3: Address Setting Commands

4. Command 4: Display Control Commands

5. When IC power is applied for the first time, the contents of the Display RAM is not defined; thus, it is strongly suggested that the contents of the Display RAM must be cleared during the initial setting.



## ABSOLUTE MAXIMUM RATINGS

(Unless otherwise stated, Ta=25°C, GND=0V)

| Parameter                           | Symbol             | Ratings                      | Unit  |
|-------------------------------------|--------------------|------------------------------|-------|
| Supply Voltage                      | V <sub>DD</sub>    | -0.5 to +7                   | Volts |
| Logic Input Voltage                 | V <sub>I</sub>     | -0.5 to V <sub>DD</sub> +0.5 | Volts |
| Driver Output Current               | I <sub>OLGR</sub>  | +250                         | mA    |
|                                     | I <sub>OHS</sub>   | -50                          | mA    |
| Maximum Driver Output Current/Total | I <sub>TOTAL</sub> | 400                          | mA    |

## RECOMMENDED OPERATING RANGE

(Unless otherwise stated, Ta=-20 to +70°C, GND=0V)

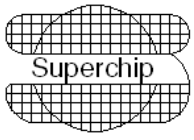
| Parameter                  | Symbol             | Min.               | Typ. | Max.               | Unit |
|----------------------------|--------------------|--------------------|------|--------------------|------|
| Logic Supply Voltage       | V <sub>DD</sub>    | 4.5                | 5    | 5.5                | V    |
| Dynamic Current (see Note) | I <sub>DDdyn</sub> | -                  | -    | 10                 | mA   |
| High-Level Input Voltage   | V <sub>IH</sub>    | 0.8V <sub>DD</sub> | -    | V <sub>DD</sub>    | V    |
| Low-Level Input Voltage    | V <sub>IL</sub>    | 0                  | -    | 0.3V <sub>DD</sub> | V    |

Note: Test Condition: Set Display Control Commands = 80H (Display Turn OFF State & under no load)

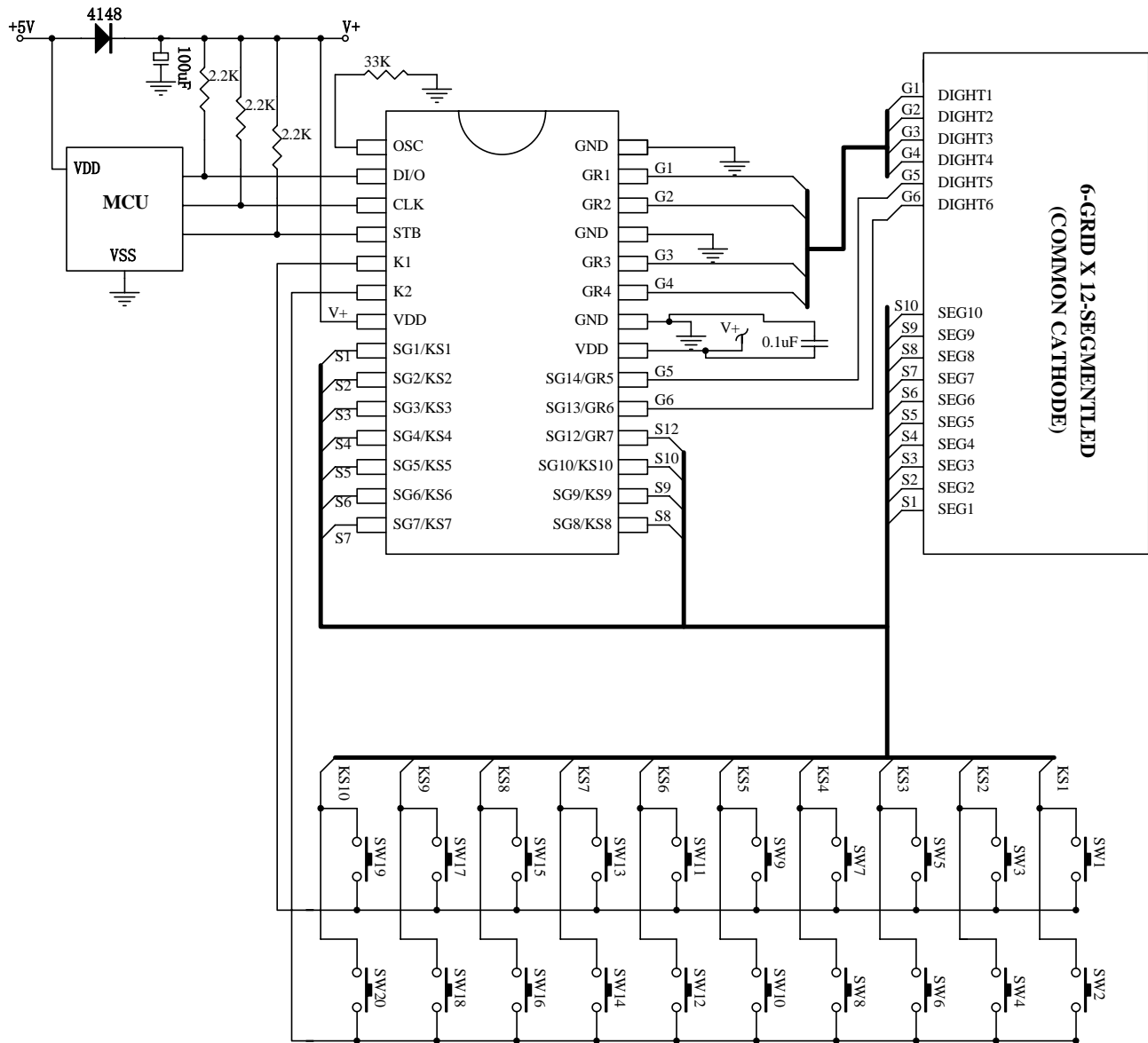
## ELECTRICAL CHARACTERISTICS

(Unless otherwise stated, V<sub>DD</sub>=5V, GND=0V, Ta=25°C)

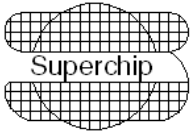
| Parameter                                   | Symbol  | Test Condition   | Min.                | Typ. | Max.               | Unit  |
|---|---------|--|---------------------|------|--------------------|-------|
| High-Level Output Current                   | IOHSG1  | V <sub>o</sub> =V <sub>DD</sub> -2V<br>SG1 to SG10, SG12/GR7 | -20                 | -25  | -40                | mA    |
|   | IOHSG2  | V <sub>o</sub> =V <sub>DD</sub> -3V<br>SG1 to SG12, SG12/GR7 | -25                 | -30  | -50                | mA    |
| Low-Level Output Current                    | IOLGR   | V <sub>o</sub> =0.3V<br>GR1 to GR6, SG12/GR7                 | 100                 | 140  | -                  | mA    |
| Low-Level Output Current                    | IOLDOUT | V <sub>o</sub> =0.4V   | 4                   | -    | -                  | mA    |
| Segment High-Level Output Current Tolerance | ITOLSG  | V <sub>o</sub> =V <sub>DD</sub> -3V<br>SG1 to SG10, SG12/GR7 | -                   | -    | ±5                 | mA    |
| High-Level Input Voltage                    | VIH     | -  | 0.8 V <sub>DD</sub> | -    | 5                  | V     |
| Low-Level Input Voltage                     | VIL     | -  | 0                   | -    | 0.3V <sub>DD</sub> | V     |
| Oscillation Frequency                       | fosc    | R=33 KOhms   | 350                 | 500  | 650                | KHz   |
| K1 to K2 Pull Down Resistor                 | RKN     | K1 to K2<br>V <sub>DD</sub> =5V                              | 40                  | -    | 100                | KOhms |



APPLICATION CIRCUIT



Note: 1、推荐使用时,  $I_c$  总线端口外置上接电阻在 2.2K 为宜;  
2、为降低系统信号的串扰, 建议产品之 MCU 与 SC6928 供电之正极串接 4148 二极管隔离。



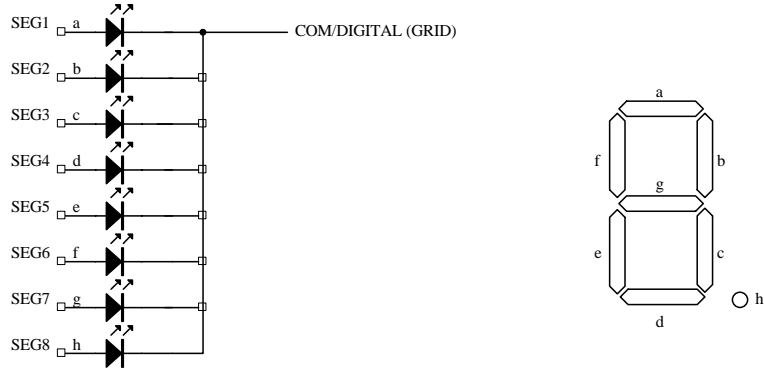
超晶香港有限公司  
富满电子有限公司

SUPER CHIP (HONG KONG) COMPANY LIMITED.

SC6928B(文件编号: S&CIC0460)

LED Driver IC

COMMON CATHODE TYPE LED PANEL:



- Note: 1、 The capacitor (0.1uF) connected between the GND and the VDD pins must be located as close as possible to the SC6928B chip.
- 2、 The SC6928B power supply is separate from the application system power supply.