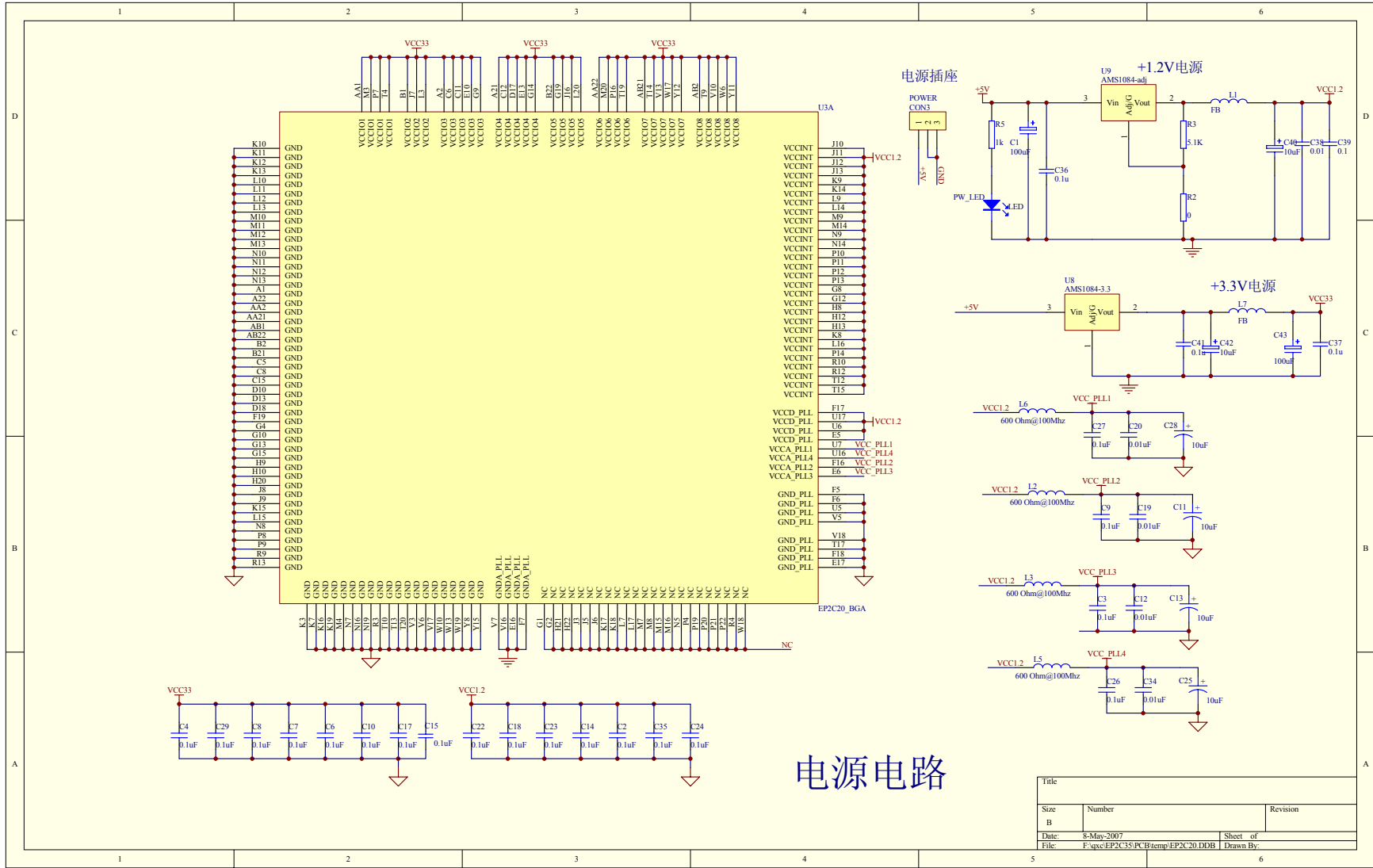
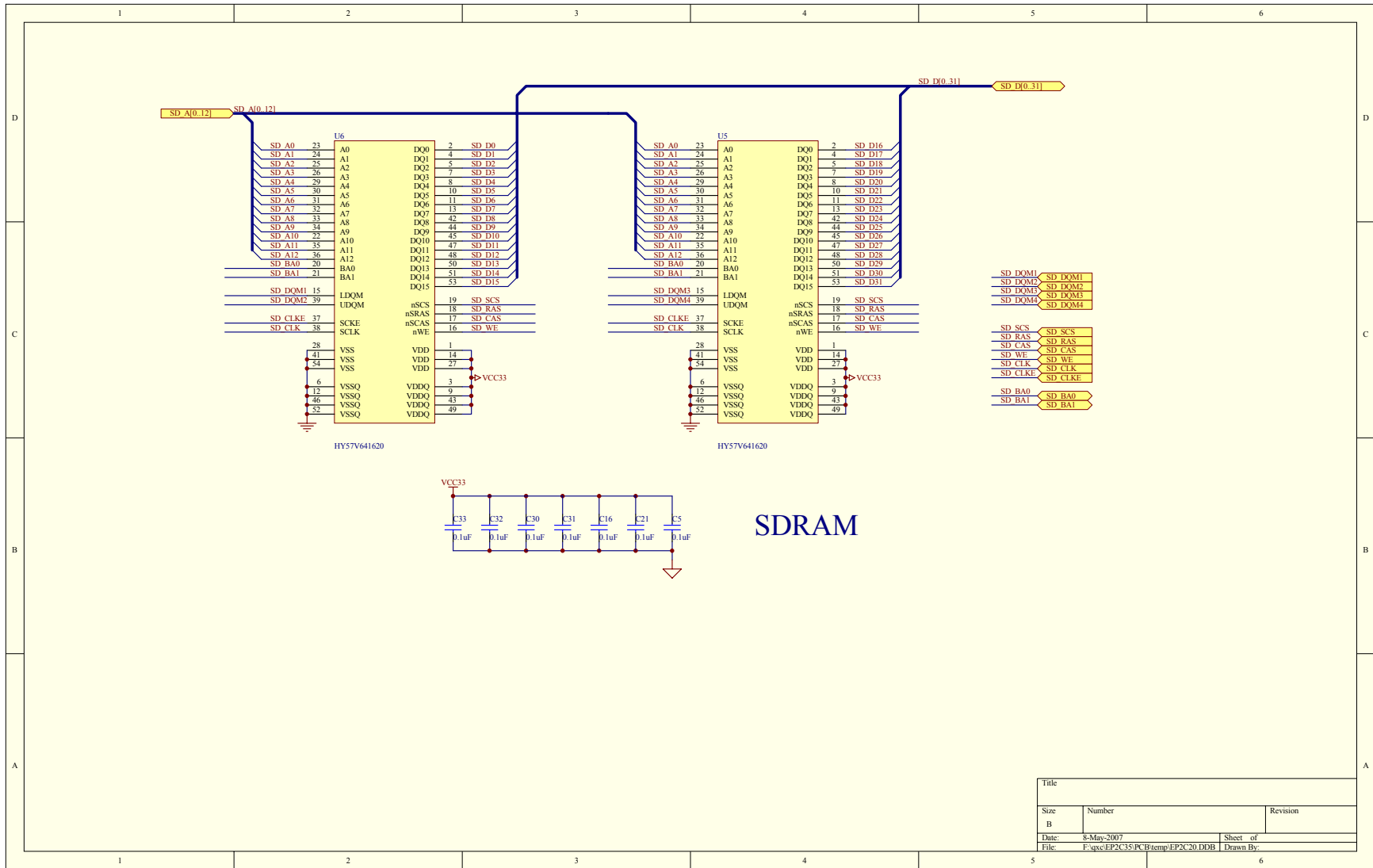


本文档版权属于21control所有，未经许可  
 可请勿转载、传播、出版。

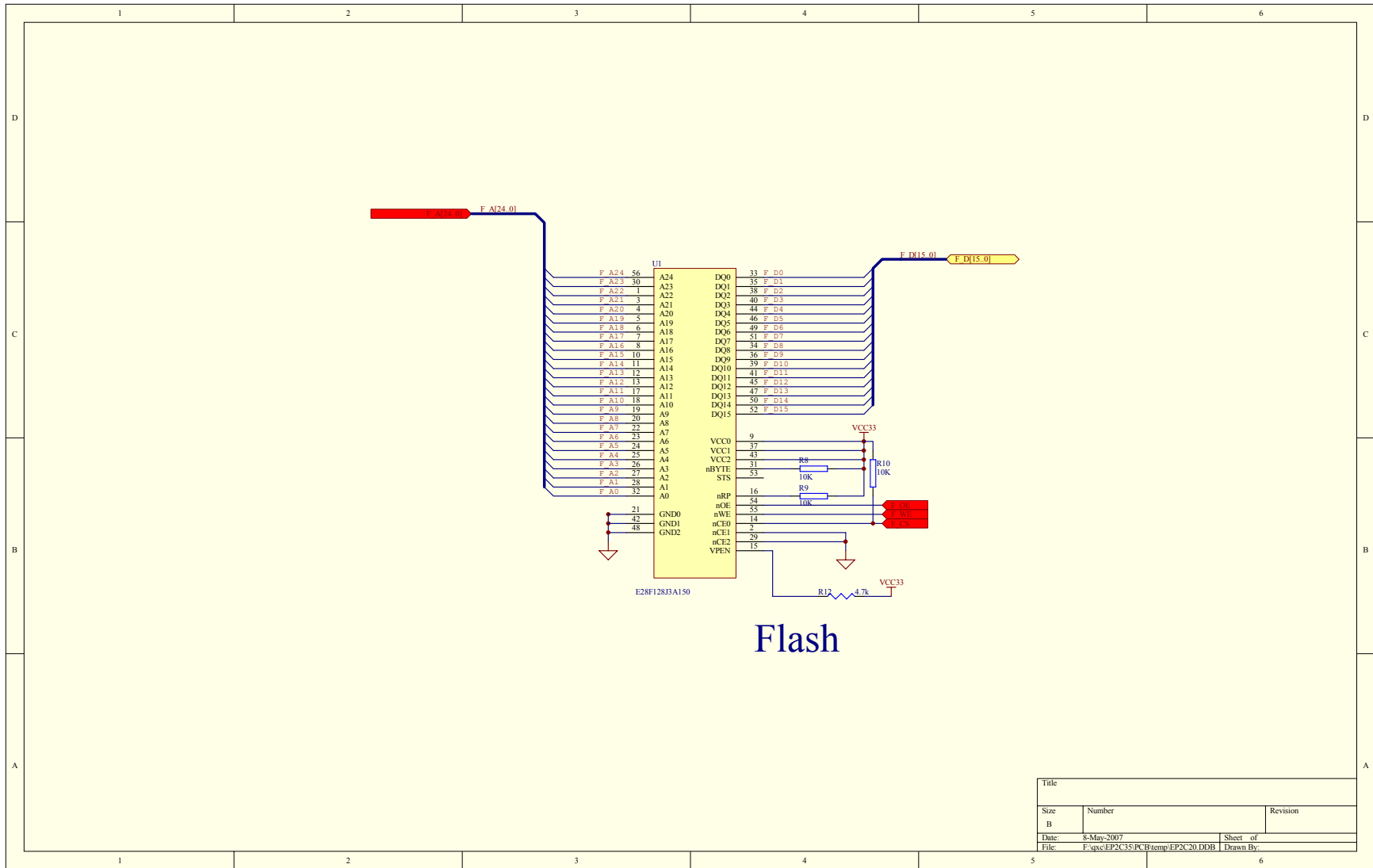
|       |                                   |           |
|-------|-----------------------------------|-----------|
| Title |                                   |           |
| Size  | Number                            | Revision  |
| B     |                                   |           |
| Date: | 8-May-2007                        | Sheet of  |
| File: | F:\src\EP2C35\PCB\temp\EP2C20.DDB | Drawn By: |



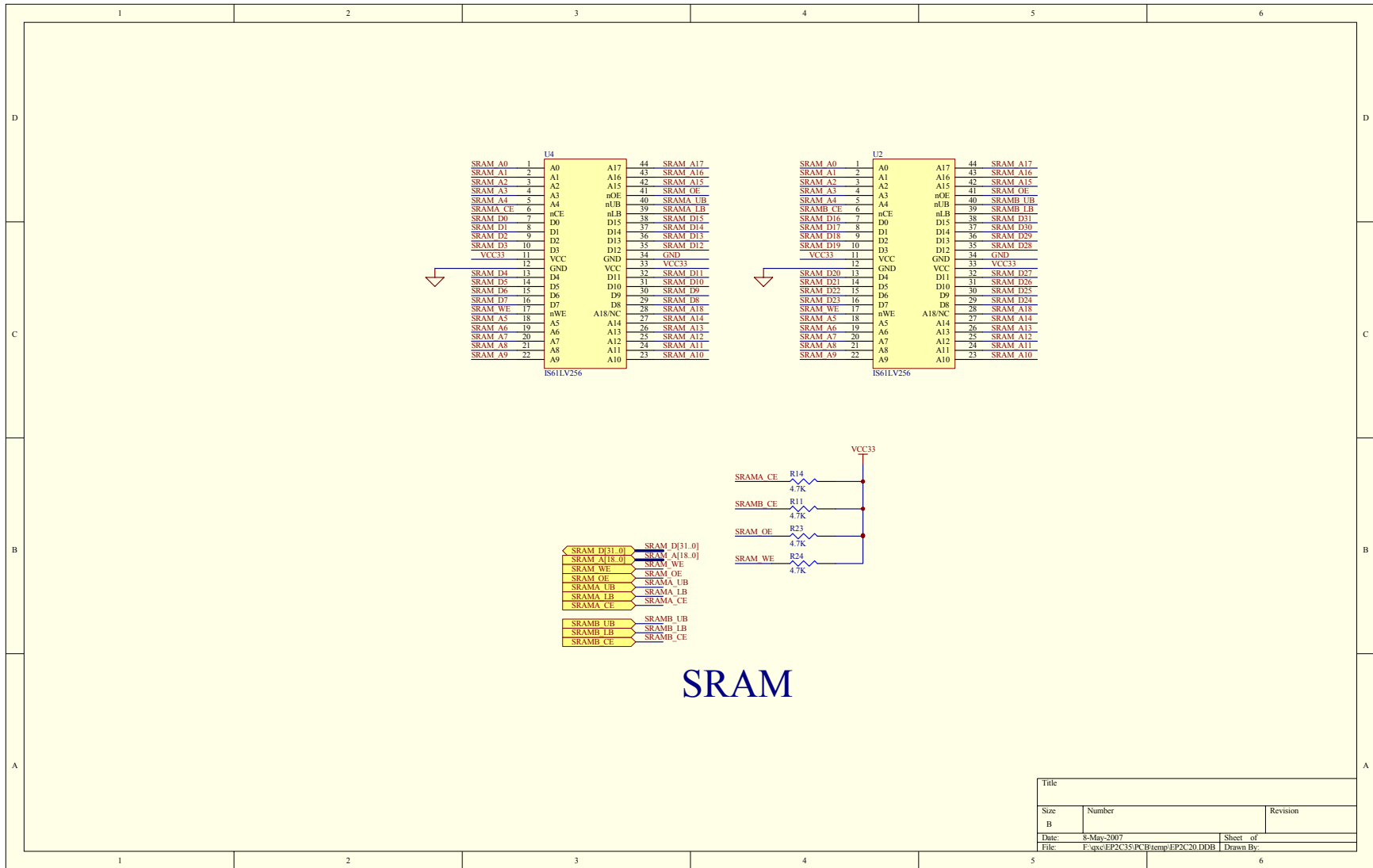
| Title |                                   |           |
|-------|-----------------------------------|-----------|
| Size  | Number                            | Revision  |
| B     |                                   |           |
| Date  | 8-May-2007                        | Sheet of  |
| File  | F:\src\EP2C35\PCB\temp\EP2C20.DDB | Drawn By: |



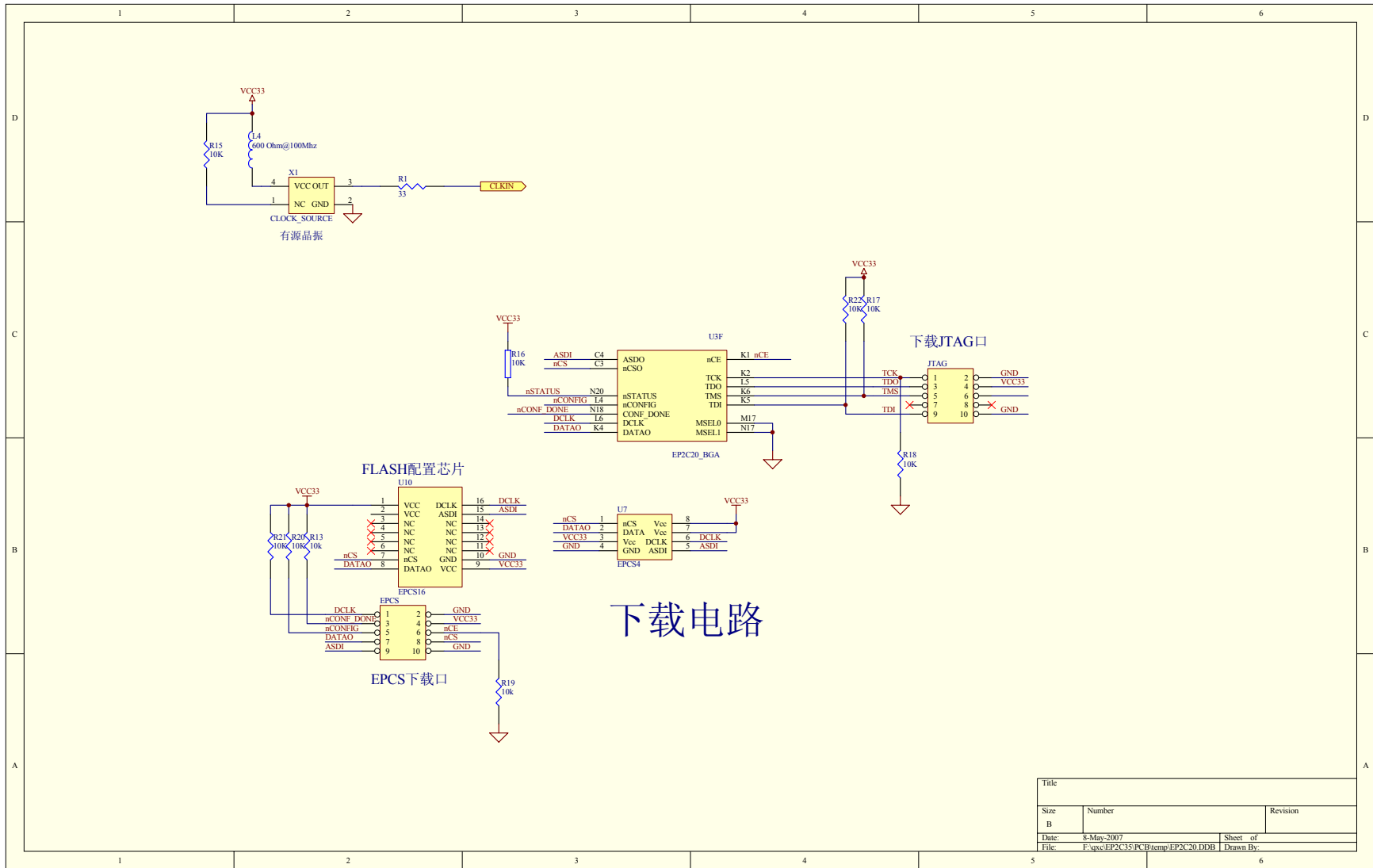
|       |                                   |           |
|-------|-----------------------------------|-----------|
| Title |                                   |           |
| Size  | Number                            | Revision  |
| B     |                                   |           |
| Date: | 8-May-2007                        | Sheet of  |
| File: | F:\src\EP2C35\PCB\temp\EP2C20.DDB | Drawn By: |



| Title |                                   |           |
|-------|-----------------------------------|-----------|
| Size  | Number                            | Revision  |
| B     |                                   |           |
| Date: | 8-May-2007                        | Sheet of  |
| File: | F:\src\EP2C35\PCB\temp\EP2C20.DDB | Drawn By: |



| Title |                                   |           |
|-------|-----------------------------------|-----------|
| Size  | Number                            | Revision  |
| B     |                                   |           |
| Date: | 8-May-2007                        | Sheet of  |
| File: | F:\src\EP2C35\PCB\temp\EP2C20.DDB | Drawn By: |



# 下载电路

|       |                                   |           |
|-------|-----------------------------------|-----------|
| Title |                                   |           |
| Size  | Number                            | Revision  |
| B     |                                   |           |
| Date: | 8-May-2007                        | Sheet of  |
| File: | F:\src\EP2C35\PCB\temp\EP2C20.DDB | Drawn By: |

