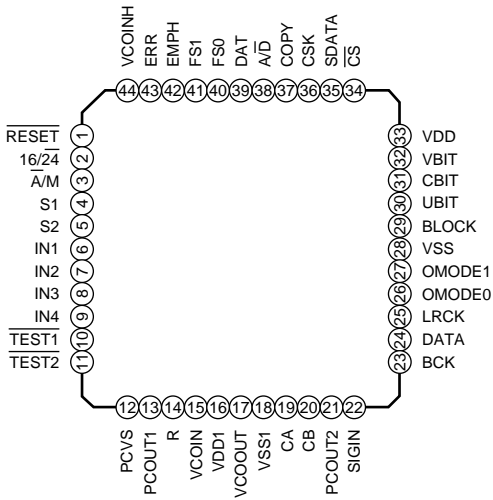


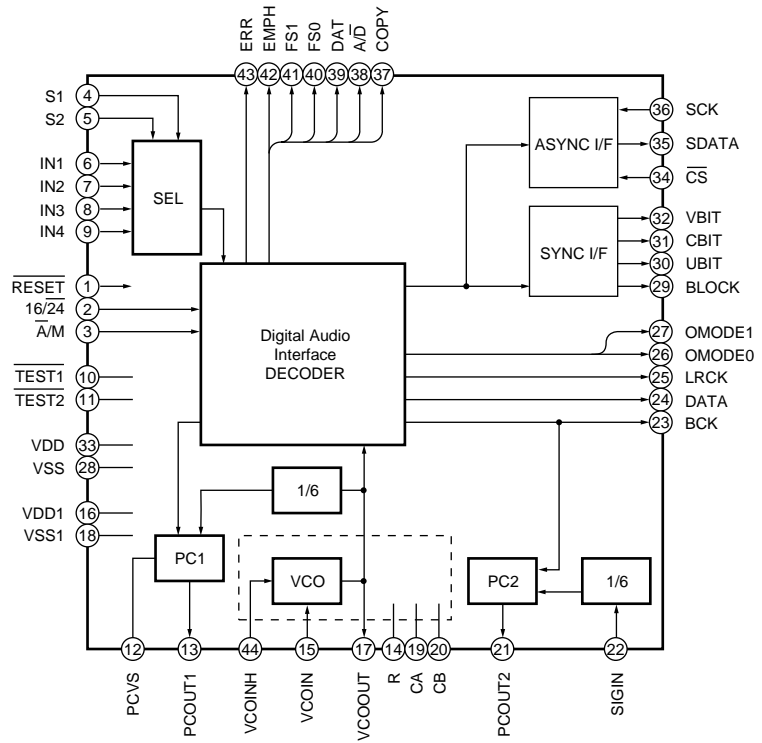
CD0015AF

• DIR

• Pin Layout



• Block Diagram



• Pin Function

No.	Pin Name	I/O	Function	No.	Pin Name	I/O	Function
1	RESET	IS	Power ON reset input ("L": reset)	23	BCK	O	Demodulation data bit clock output (64fs)
2	16/24	IT	Input format select pin with pull up resistor	24	DATA	O	Demodulated audio data output
3	A/M			25	LRCK	O	Demodulation data LR clock output ("H":L)
4	S1	IT	Input select pin 1	26	OMODE0	O	Data output format select pin 0
5	S2	IT	Input select pin 2	27	OMODE1	O	Data output format select pin 1
6	IN1	IT	Data input pin 1	28	VSS	-	Ground pin for logic part
7	IN2	IT	Data input pin 2	29	BLOCK	O	Block start output pin
8	IN3	IT	Data input pin 3	30	UBIT	O	User data output pin
9	IN4	IT	Data input pin 4	31	CBIT	O	Channel status output pin
10	TEST1	IT	Pin 1 for test (normal:"H" or open)	32	VBIT	O	Veridity output pin
11	TEST2	IT	Pin 2 for test (normal:"H" or open)	33	VDD	-	Power supply pin for logic part
12	PCVS	-	Input for VCO free run frequency setting	34	CS	IT	Chip select input pin ("L":selected)
13	PCOUT1	-	Phase comparator output 1	35	SDATA	OT	Serial data output pin
14	R	-	Pin connected to resistor for VCO adjustment	36	SCK	IT	Serial clock input pin
15	VCOIN	-	VCO control voltage input	37	COPY	O	Inhibit copy information output pin
16	VDD1	-	Power supply pin for VCO part	38	A/D	O	Audio/degital data information output pin
17	VCOOUT	-	VCO output (384fs)	39	DAT	O	DAT information output pin
18	VSS1	-	Ground pin for VCO part	40	FS0	O	Sampling frequency information output pin 0
19	CA	-	Pin connected to capacitor for VCO adjustment	41	FS1	O	Sampling frequency information output pin 1
20	CB	-		42	EMPH	O	Emphasis information output pin
21	PCOUT2	-	Phase comparator output 2	43	ERR	O	Unreaded data information output pin
22	SIGIN	IT	External VCO input pin	44	VCOINH	IT	Input pin for inner VCO osilation stop("H":stop)

IS:shumitt trigger input pin IT:TTL level input pin , O:CMOS level output pin , OT:CMOS level tri-state output pin