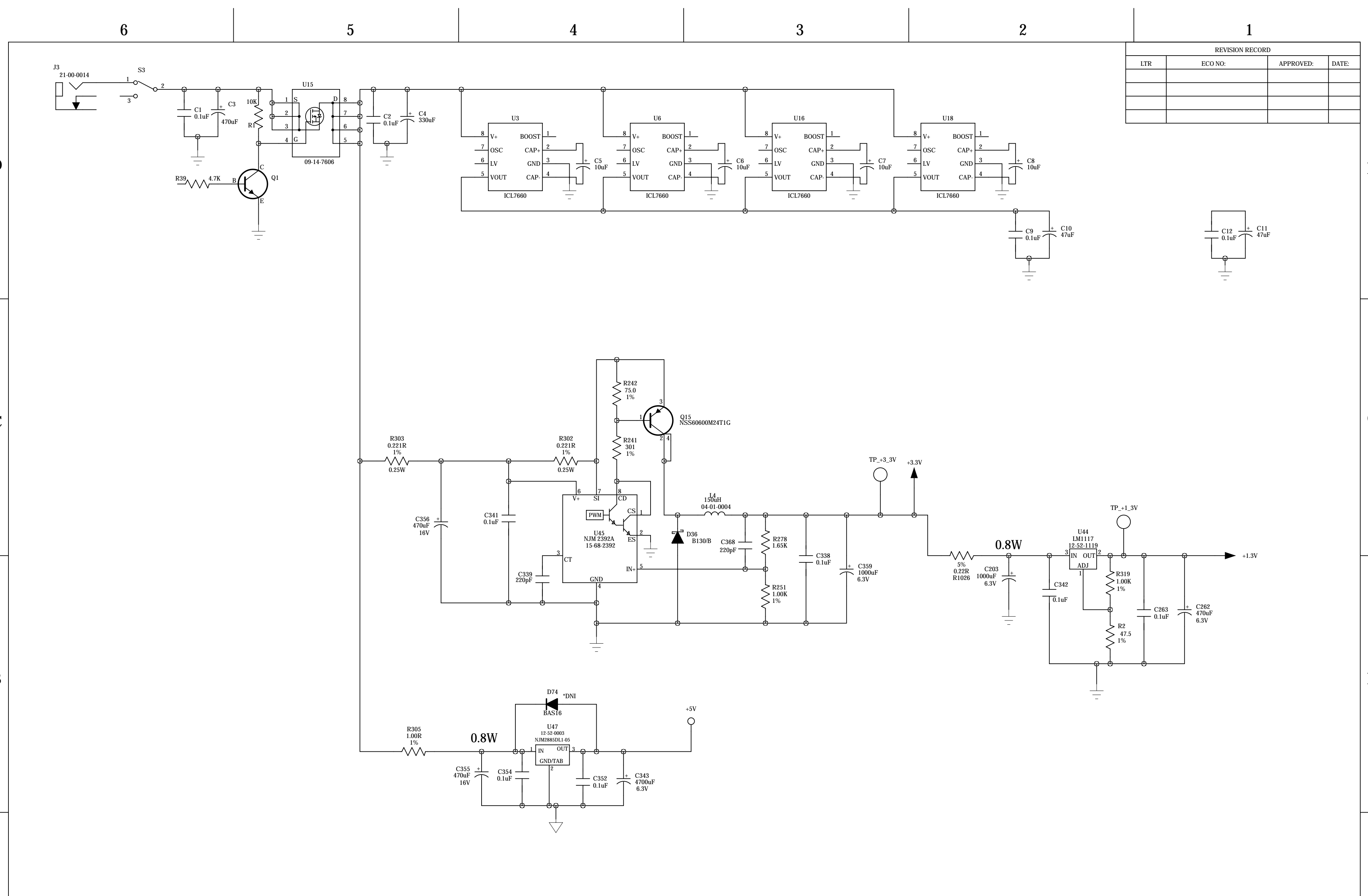


REVISION RECORD			
LTR	ECO NO:	APPROVED:	DATE:



COMPANY:			
TITLE: <b>POWER</b>			
CODE:	SIZE:	DRAWING NO:	REV:
<b>&lt;Code&gt;</b>	<b>C</b>	<b>&lt;Drawing Number&gt;</b>	<b>X1</b>
SCALE: 1:1			SHEET: 4/ 4

DRAWN: <Drawn By>	DATED: <Drawn Date>
CHECKED: <Checked By>	DATED: <Checked Date>
QUALITY CONTROL: <QC By>	DATED: <QC Date>
RELEASED: <Released By>	DATED: <Release Date>

D

D

C

C

B

B

A

A