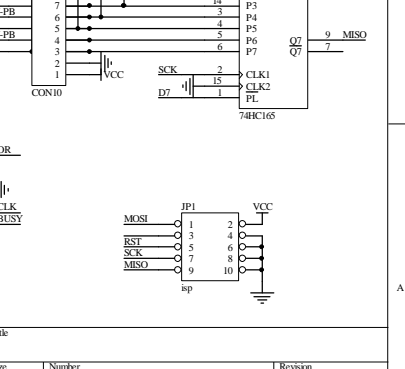
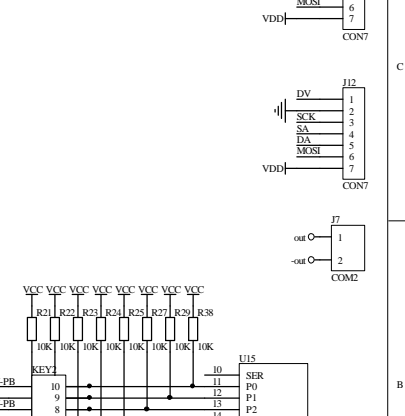
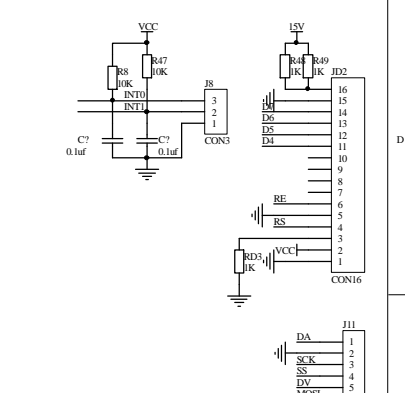
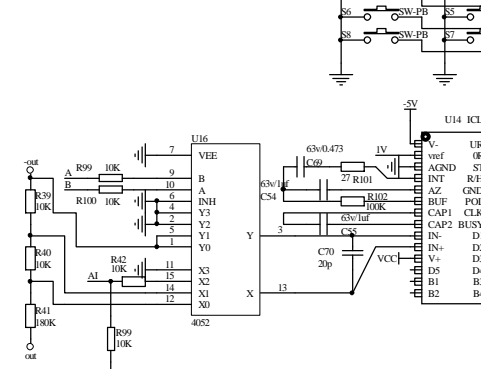
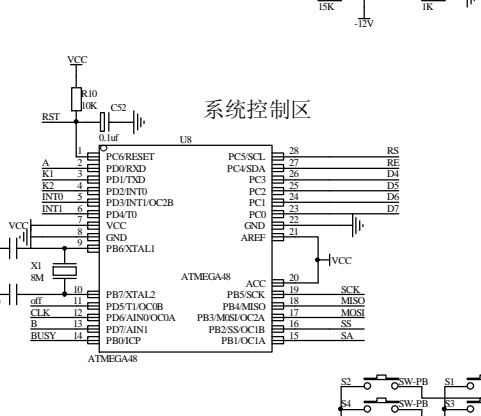
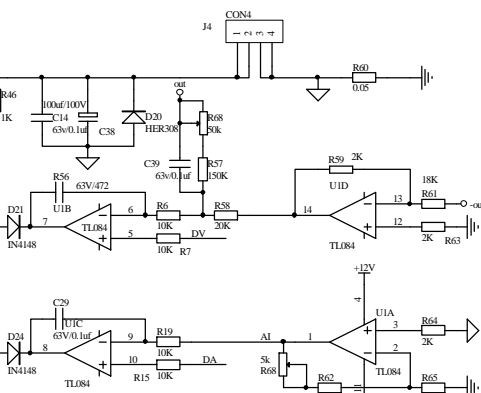
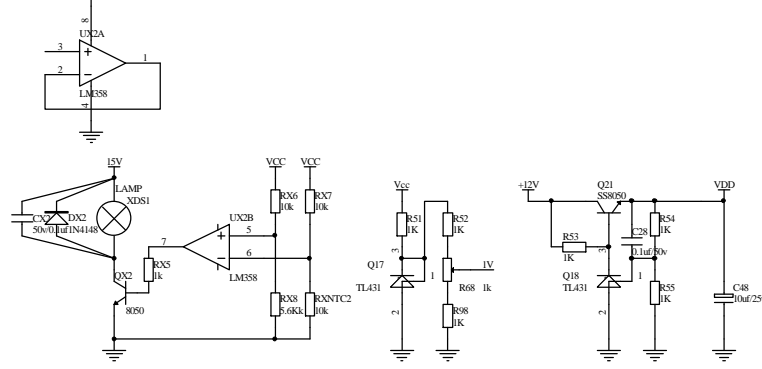
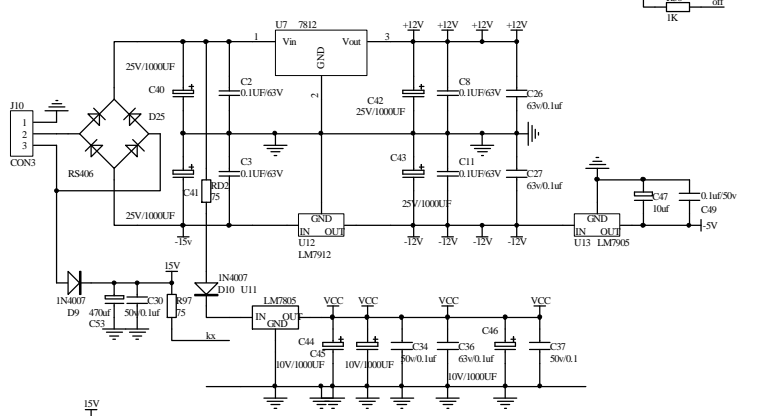
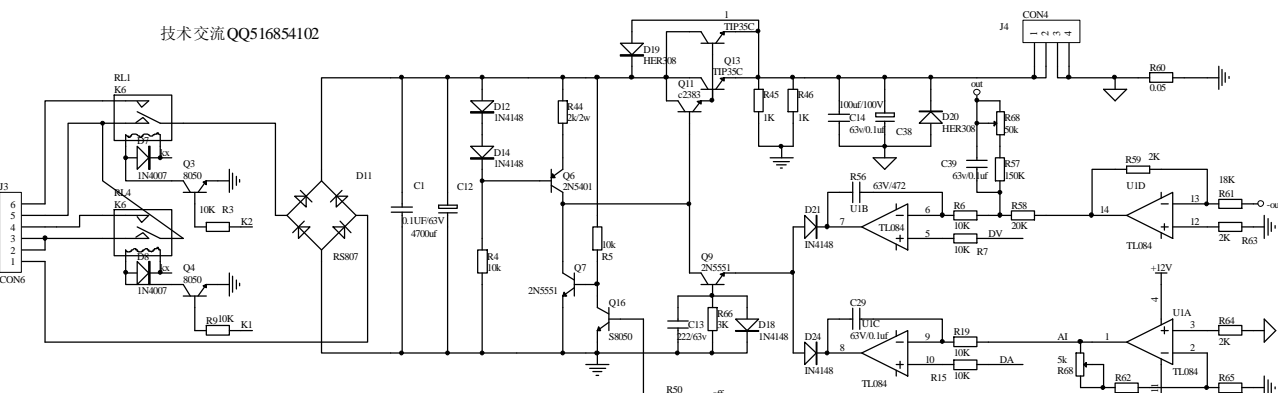


技术交流 QQ516854102



See	Number	Revision
A3	18-Mar-2010	Sheet of 1
Date: 18-Mar-2010 Sheet of 1		
File: 附件资料\附件中的资料\M88\电路\50V5A\Drawn By: 1		