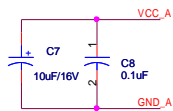
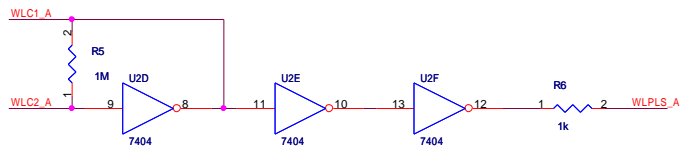
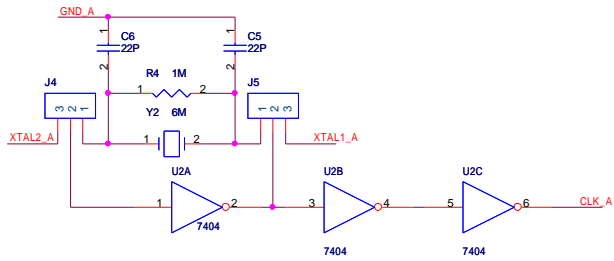


Tvia

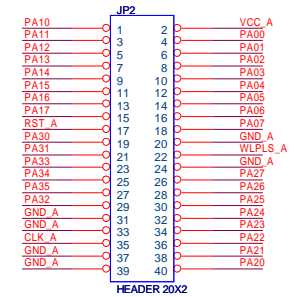
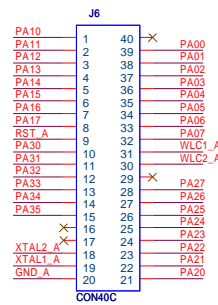
EMULATOR BOARD

Size A3	Document Number 40_2_28	Rev 2.0
Date: Tuesday, March 30, 2004		Sheet 1 of 7

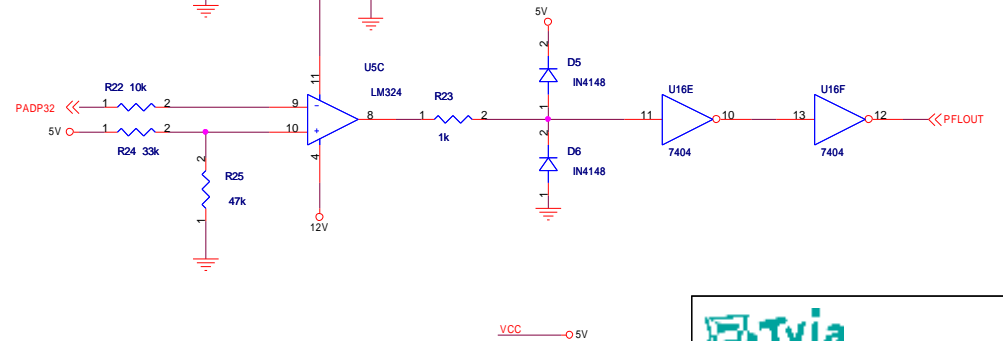
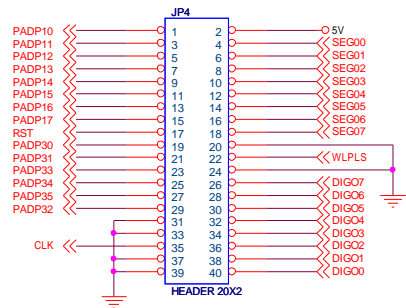
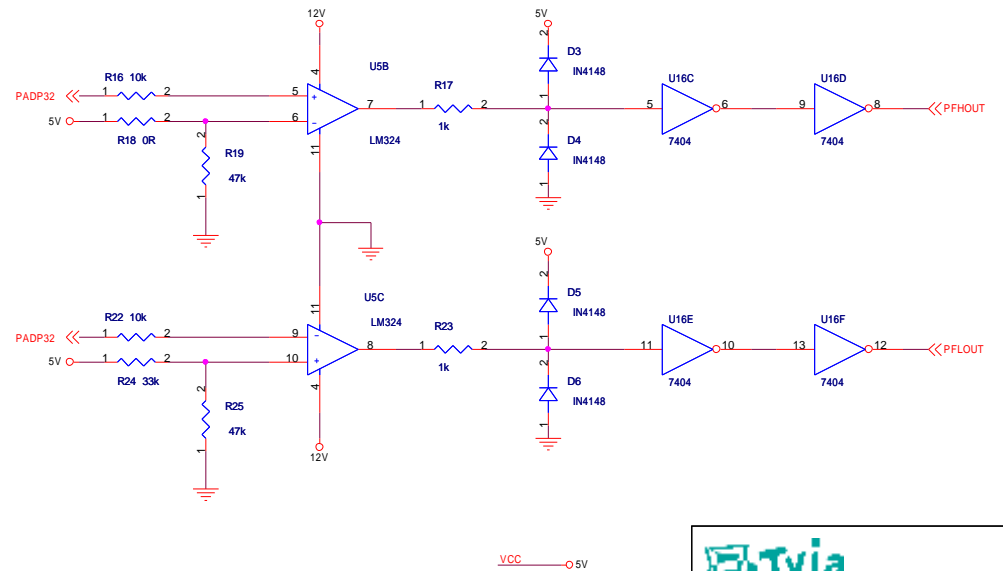
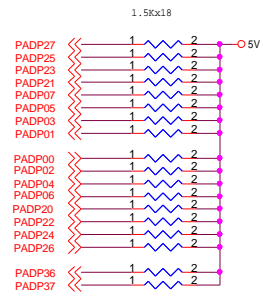
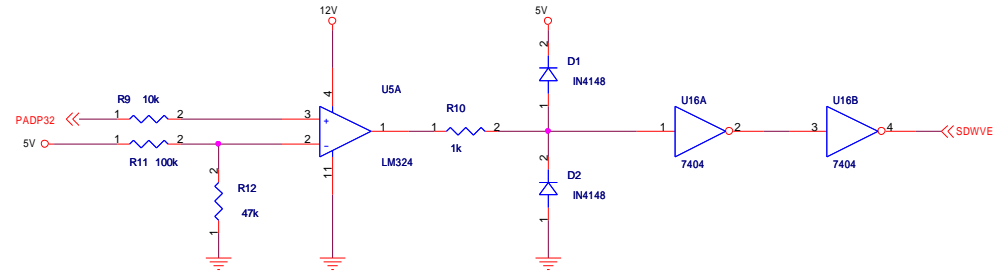
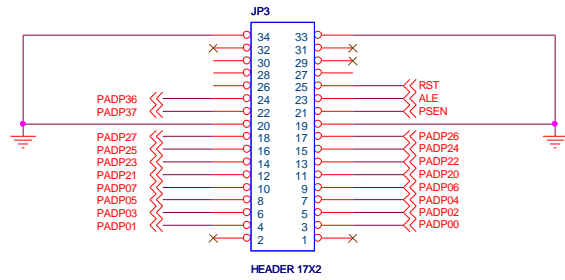


VCC_A

GND_A

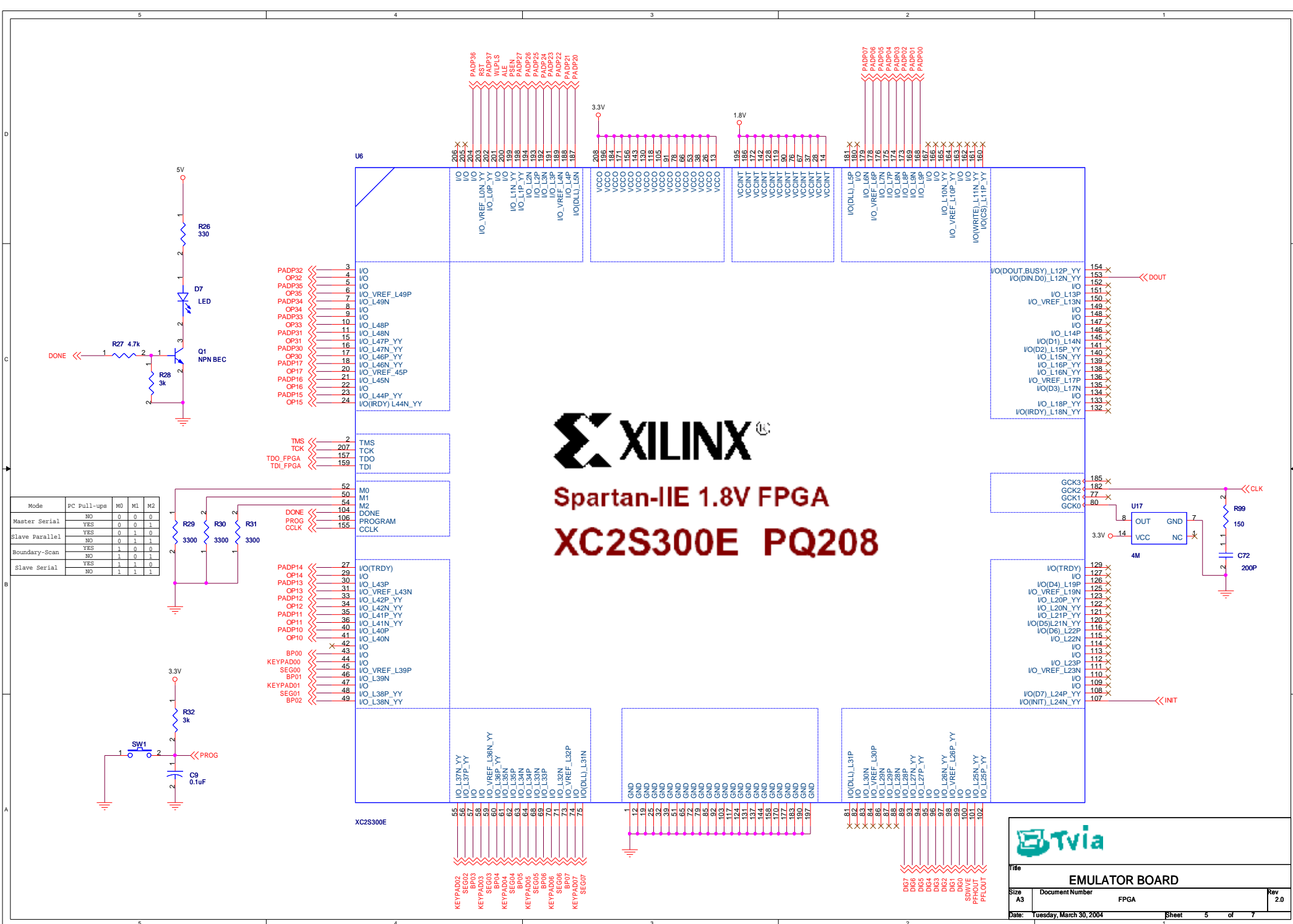


Title		
EMULATOR BOARD		
Size	Document Number	Rev
A3	40_2_40	2.0
Date:	Tuesday, March 30, 2004	Sheet 2 of 7



EMULATOR BOARD

Size A3	Document Number connect	Rev 2.0
Date: Tuesday, March 30, 2004	Sheet 4	of 7




Mode	PC Pull-ups	M0	M1	M2
Master Serial	NO	0	0	0
Slave Parallel	YES	0	1	0
Boundary-Scan	NO	0	1	1
Slave Serial	YES	1	1	0
	NO	1	1	1

XILINX[®]

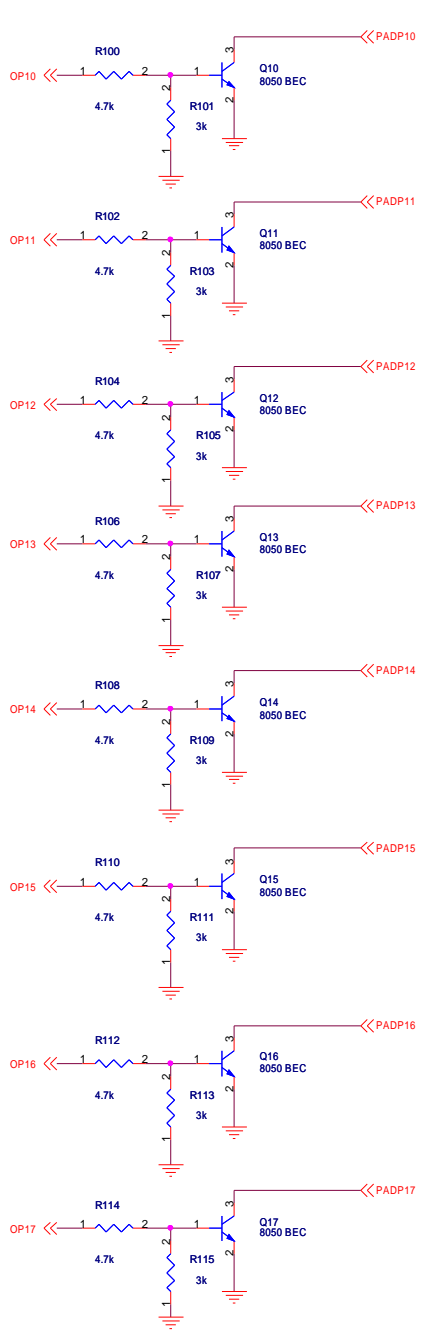
Spartan-1IE 1.8V FPGA

XC2S300E PQ208

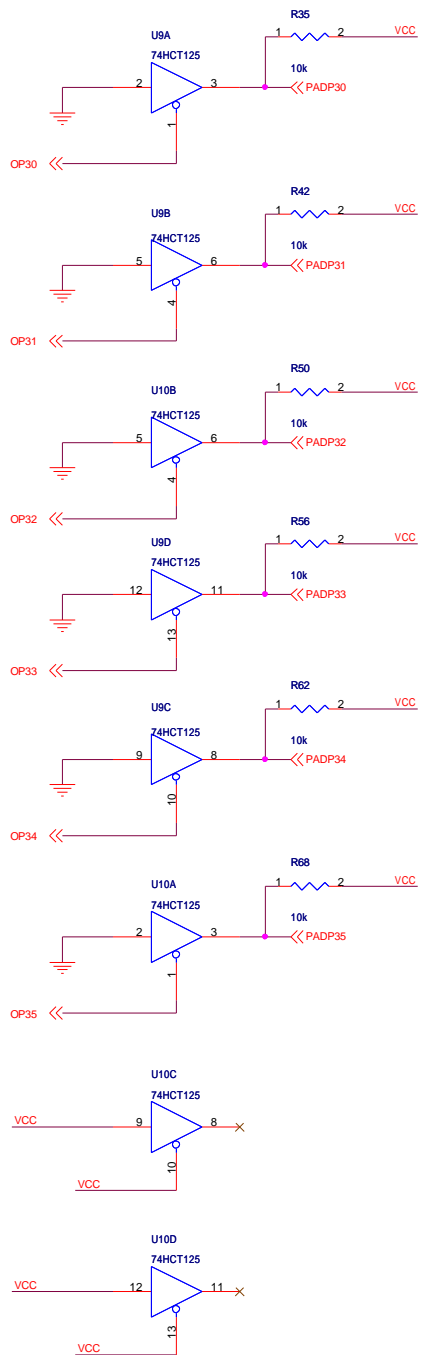


EMULATOR BOARD

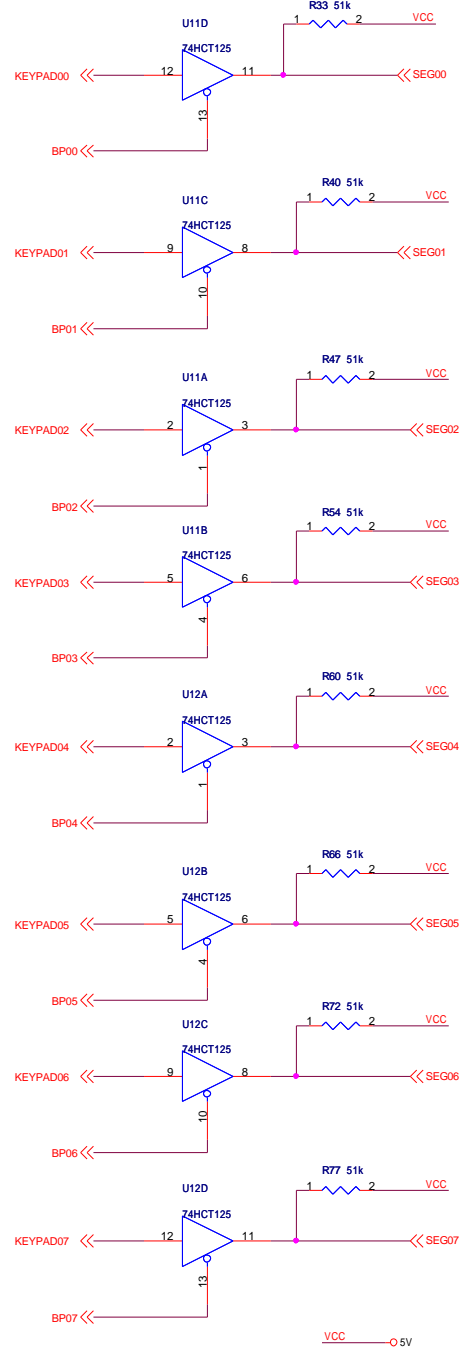
Size A3	Document Number FPGA	Rev 2.0
Date: Tuesday, March 30, 2004		
Sheet 5 of 7		



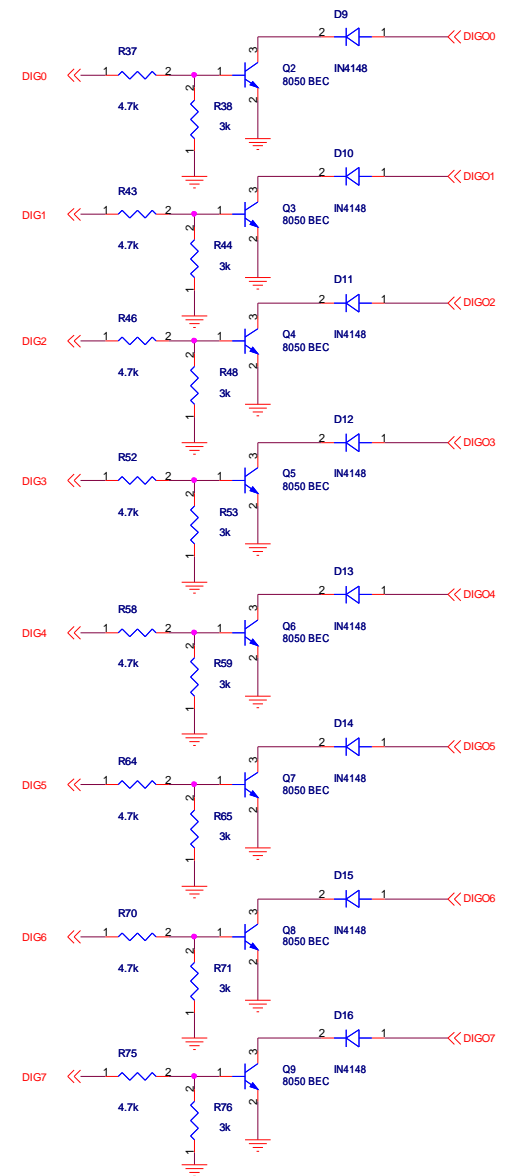
PORT1



PORT3



SEG



DIG

Tvia

Title: **EMULATOR BOARD**

Size: A3	Document Number: port	Rev: 2.0
Date: Tuesday, March 30, 2004	Sheet: 6 of 7	

