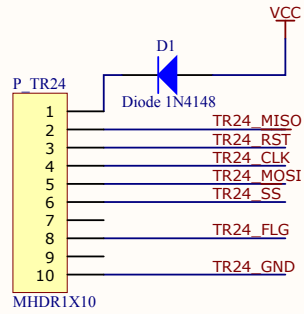
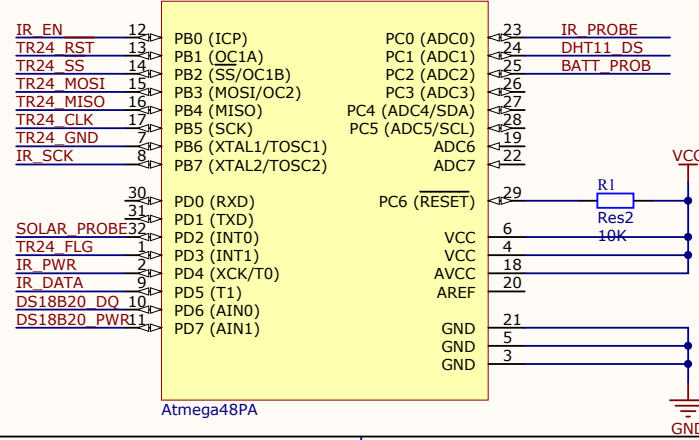


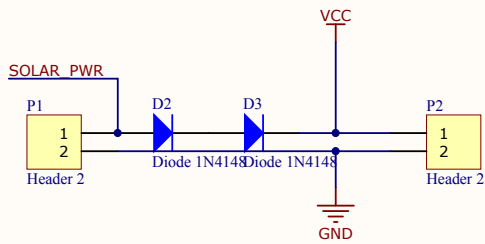
Tr24 Wireless Module



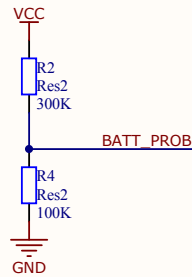
MCU - Atmega48PA



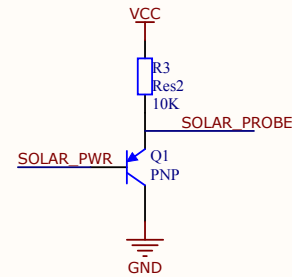
Power Module



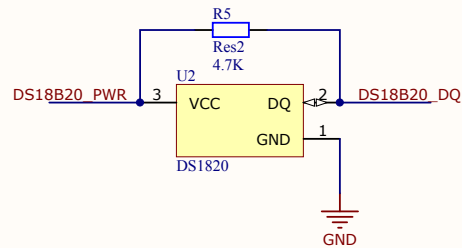
Battery Voltage Probe



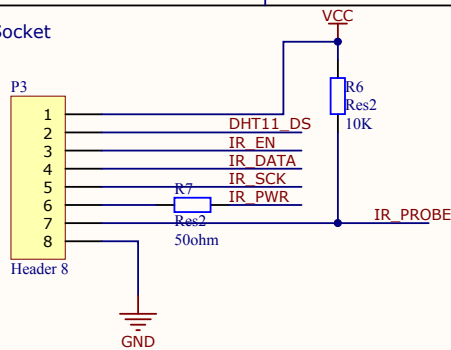
Solar Panel Probe



DS1820 thermometer



IR Matrix Socket



Title		
IHES Outside Sensor		
Size	Number	Revision
A4		
Date:	2010/2/21	Sheet of
File:	C:\ccksoft\...\checker.SchDoc	Drawn By: Shikai Chen