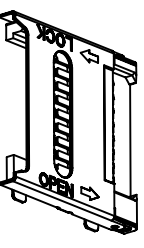
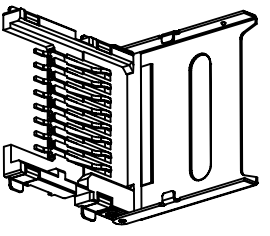
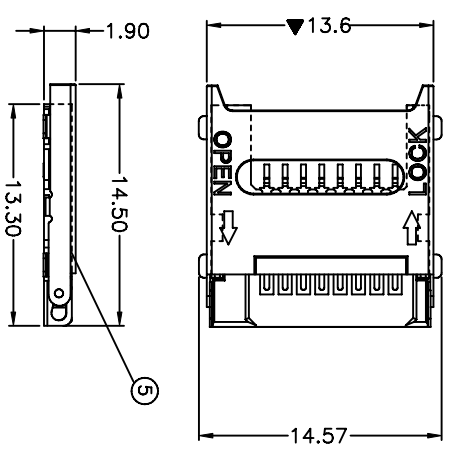


NOTES: UNLESS OTHERWISE SPECIFIED
 1. DIM. MARKED ▼ TO BE CHECKED.
 2. CONTACT RESISTANCE 80MOHMS MAX PER CONTACT.
 3. NORMAL FORCE 0.4N MIN. PER CONTACT.

REV.	ECN. NO.
A	ECN050213
B	ECN050305
C	
DX1	

ASSEMBLED SHELL



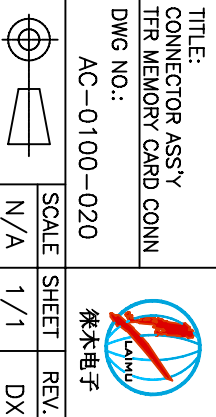
ITME	LM. P/N	PART NAME	DESCRIPTION	Q'TY
①	CP1008-029	HOUSING	LCP, UL94V-0	1
②	CT1003-009	TERMINAL	COPPER ALLOY, 0.2 T, 10u" Au PLATED FOR CONTACT AREA AND GOLD FLASH PLATED FOR OTHER AREA	8
③	CM0001-008	NAIL LOCK	STAINLESS STEEL, 0.15T UNPLATED	2
④	CM0001-009	FITTING NAIL	COPPER ALLOY, 0.15 T, NICKEL PLATED.	4
⑤	CM0001-010	SHELL COVER	STAINLESS STEEL, 0.2 T	1

X.±	UNITS: mm
X.±0.15	
.XX±0.10	MAT'L:
.XXX±	APPD.:
X.±1*	CHKD.:
X.±	DR.: <i>88442.jc</i> 5/31'06

SHANGHAI LAIMU ELECTRONICS Co., Ltd

PART NO. ACO100-020
 TITLE: CONNECTOR ASS'Y
 TRR MEMORY CARD CONN

AC-0100-020
 DWG NO.:



SCALE	SHEET	REV.
N/A	1/1	DX1