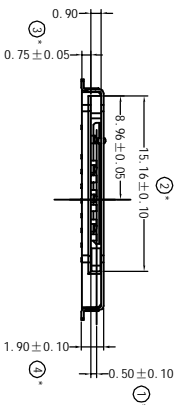
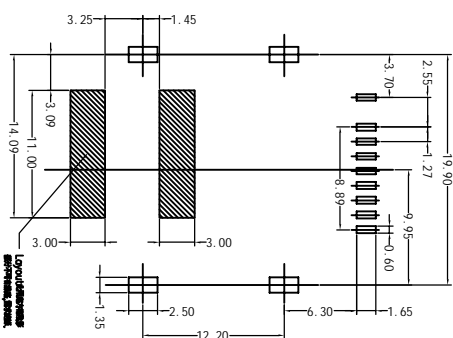
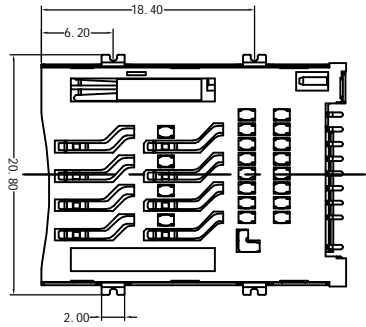
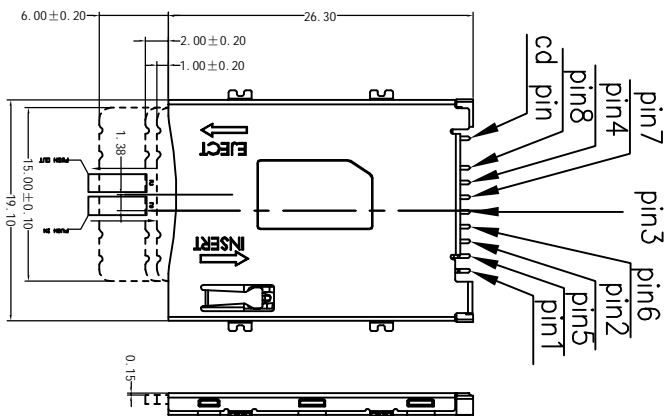
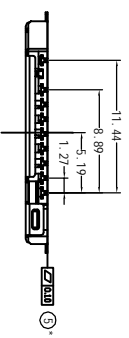


REMO A/0	REVISION NOTE RELEASED	DATE 09/5/20	DRAW 黄家斌	CHECK
-------------	---------------------------	-----------------	-------------	-------



Pin Assignment:

SIM #1	SIM VCC
SIM #2	SIM RST
SIM #3	SIM CLK
SIM #4	SIM Reserve
SIM #5	SIM GND
SIM #6	SIM VPP
SIM #7	SIM I/O
SIM #8	SIM Reserve

Specification

Material:

- Housing: High Temperature Thermoplastic
- Color: Black UL 94V-0
- Contacts: Phosphor Bronze
- Shell: stainless steel

Plating:

- Contacts: Plated 50 u" Ni Overall
- Plated Au (1u") Selective Contact Area
- Plated 100 u" Sn Over Nickel On Solder Area

Specification:

- Current Rating :0.5A MAX.
- Contact Resistance: 100mΩ max
- Insulation Resistance: 1000MΩ min. 500VDC
- Dielectric Withstanding Voltage: 500VAC/minute
- Operating Temperature: -25°C to +85°C
- Mating Cycles: 7000 Insertions
- Usable Memory Card: SIM CARD



DIMENSION UNIT MM	PRD. SPEC.	<p>KINMOX 金美電子有限公司 Kinmox electronic co., limited</p> <p>www.kinmox.com 0755-89737484 Fax: 0755-89737017</p>
TOLERANCE UNLESS OTHERWISE SPECIFIED	PKG. SPEC.	
X±0.10	APR.	<p>TITLE: SIM CARD CONNECTOR(A)</p> <p>PRD. </p>
.XX±0.05	CHK.	
.XXX±0.03	DRA.	<p>PART NUMBER:</p> <p>FILE NO.</p> <p>SHEET 1/1</p>
		<p>REV: A/1</p> <p>SCALE: 1:1</p>