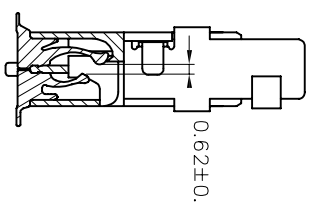
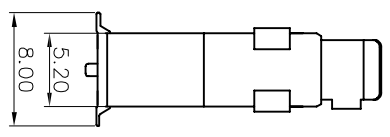
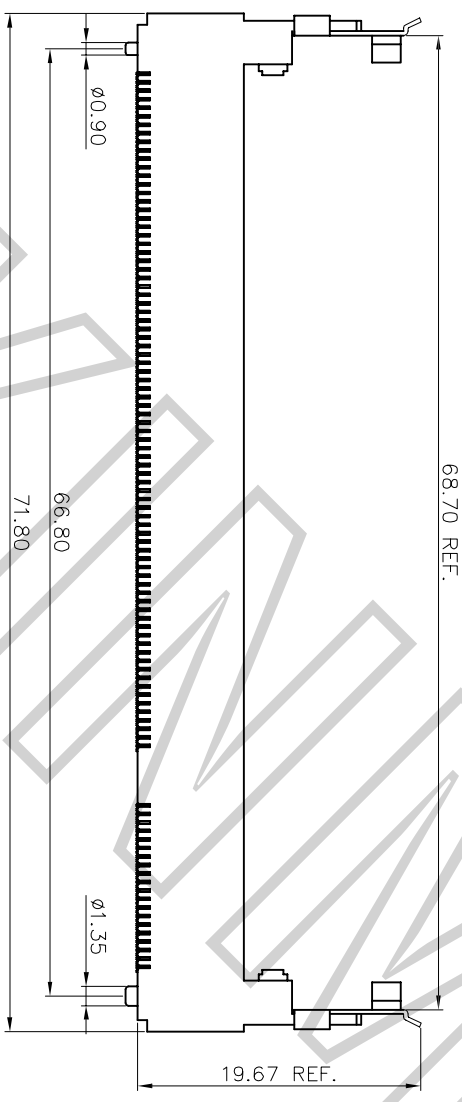
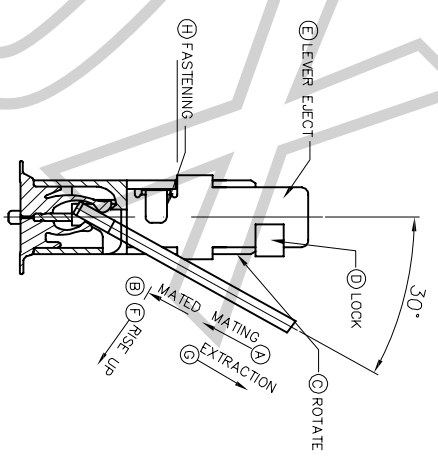
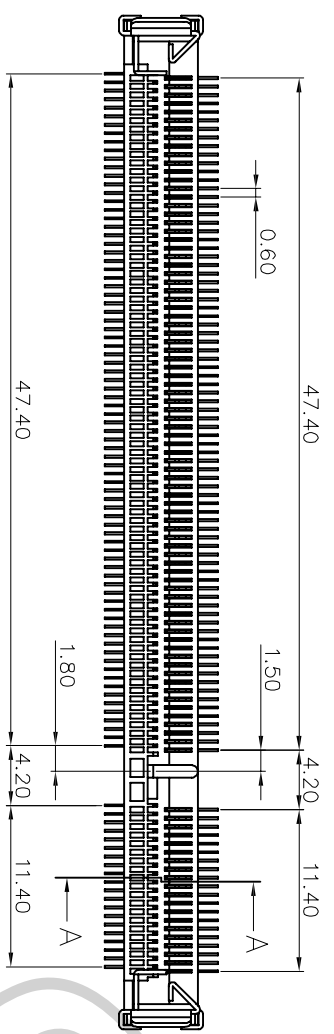


REVNO	REVISION NOTE			DATE	DRAW	CHECK
A/0						

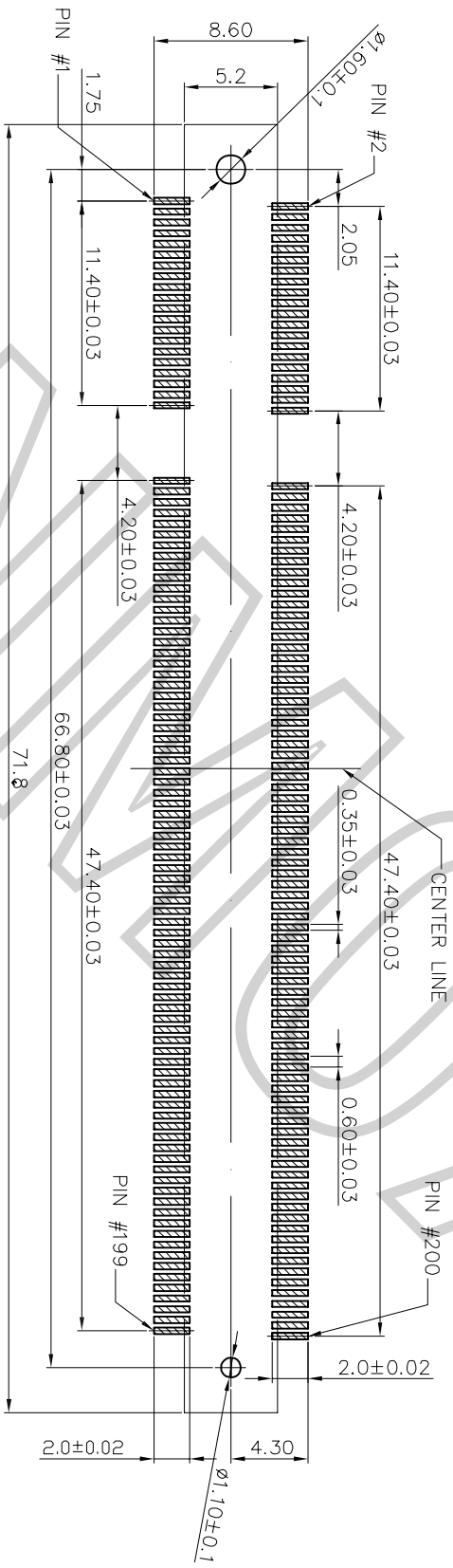


SETP 1.MATE PROCESS (A) --> (B) --> (C) --> (D)  
 SETP 2.UNMATE PROCESS (E) --> (F) --> (G)

NOTE:  
 MATERIAL : HOUSING,HIGH TEMPARURE THERMO PLASTIC UL94V-0.  
 CONTACT : COPPER ALLOY,TIN PLATING AT SOLDER TAIL AREA,  
 ALL OVER NICKEL PLATING, GOLD FLASH ON CONTACT AREA.  
 LATCH : STEEL, NICKEL PLATED ALL OVER.

DIMENSION UNIT MM ISSUED BY KINMOX	PRDD.SPEC.	<b>KINMOX</b> 金美電子有限公司 Kinmox electronic co.,limited	
TOLERANCE UNLESS OTHERWISE SPECIFIED	PKG.SPEC.	www.kinmox.com 0755-89737484 Fax:0755-89737017	
X±0.10	APR.	TITLE: DDR II SO DIMM SOCKET 0.6mm PITCH 200PIN 180° "RoHS Compliance"	
X±0.05	CHK.	PRDU.	PART_NUMBER:
.XXX±0.03	DRA.		
		FILE NO.	REV : A/0
		SHEET 1/1	SCALE: 1:1

REVNO	REVISION NOTE	DATE	DRAW	CHECK
A/0				

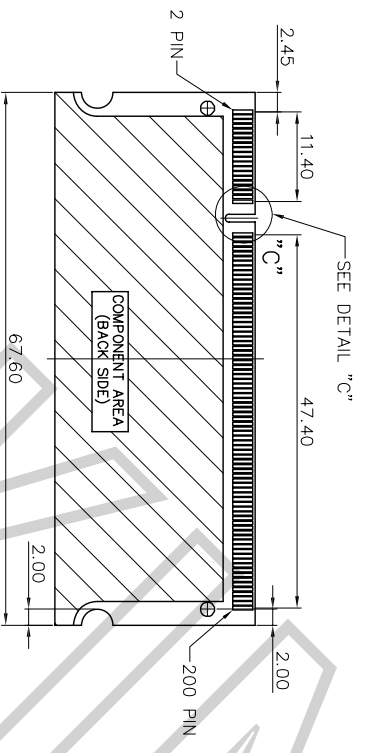
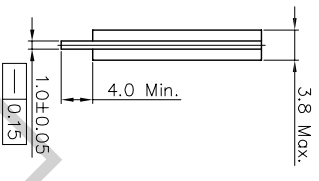
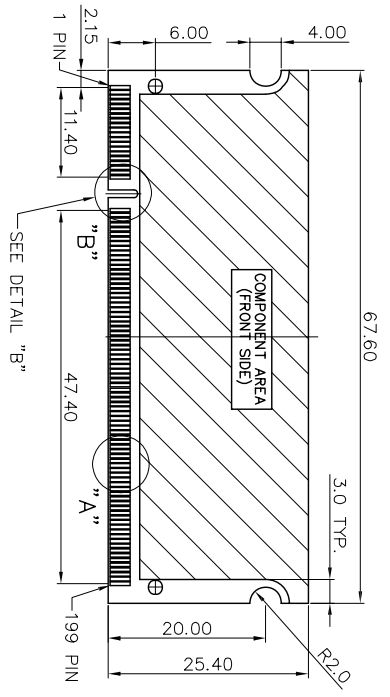


SO DIMM 180° PCB LAYOUT

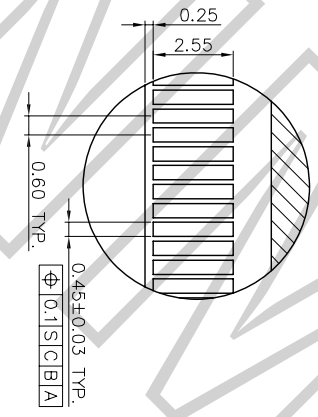
DIMENSION UNIT MM ISSUED BY KINMOX		PRDD. SPEC.	<b>KINMOX</b> 金美電子有限公司 Kinmox electronic co.,limited <a href="http://www.kinmox.com">www.kinmox.com</a> 0755-89737484 Fax:0755-89737017	
TOLERANCE UNLESS OTHERWISE SPECIFIED		PKG. SPEC.		
X±0.10	X*±1°	APR.	TITLE: DDR II SO DIMM SOCKET 0.6mm PITCH 200PIN 180° "RoHS Compliance"	
.XX±0.05	.X*±0.5°	CHK.		
.XXX±0.03	.XX*±0.3°	DRA.		
PRDD.		PART NUMBER:		REV: A/0
PRDU.		FILE NO.		SCALE: 1:1
PRDU.		SHEET 1/1		

REVNO	REVISION NOTE	DATE	DRAW	CHECK
A/0				

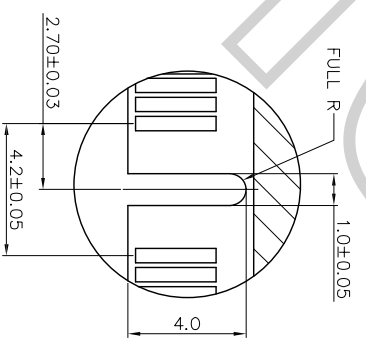
- NOTES:
1. TOLERANCES ON ALL DIMENSIONS 0.10 UNLESS OTHERWISE SPECIFIED.
  2. P.C.B BOARD THICKNESS APPLIES ACROSS TABS AND INCLUDES PLATING AND/OR METALIZATION.
  3. FINISH OF PAD: GOLD PLATING 0.00076 MIN. OVER NI PLATING 0.002 MIN.



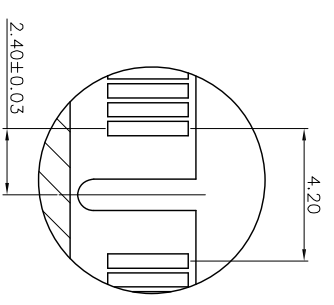
DETAIL "A" SCALE 4/1




DETAIL "B" SCALE 4/1  
FRONT SIDE



DETAIL "C" SCALE 4/1  
BACK SIDE



RECOMMENDED MATING P.C.B CONFIGURATION

DIMENSION UNIT MM ISSUED BY KINMOX		PRDD. SPEC.	<b>KINMOX</b> 金美電子有限公司 Kinmox electronic co.,limited	
TOLERANCE UNLESS OTHERWISE SPECIFIED		PKG. SPEC.	www.kinmox.com 0755-89737484 Fax:0755-89737017	
X±0.10	X*±1*	APR.	TITLE: DDR II SO DIMM SOCKET 0.6mm PITCH 200PIN 180° 'RoHS Compliance'	
.XX±0.05	.X*±0.5*	CHK.	PRDU.	
.XXX±0.03	.XX*±0.3*	DRA.		
			FILE NO.	REV: A/0
			SHEET 1/1	SCALE: 1:1