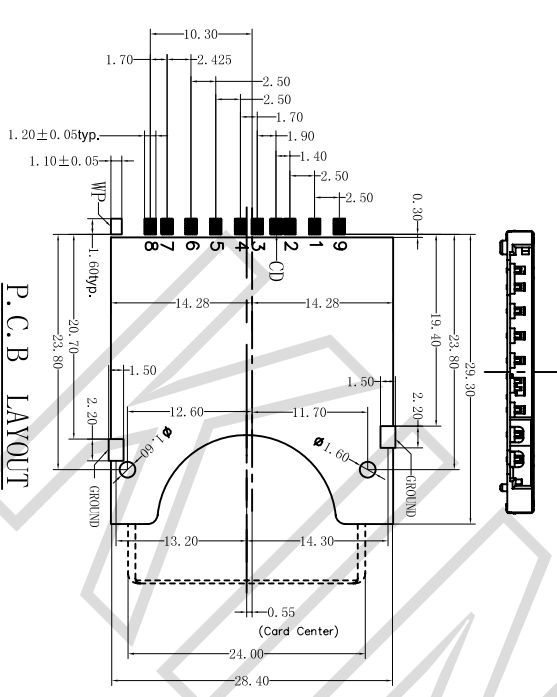
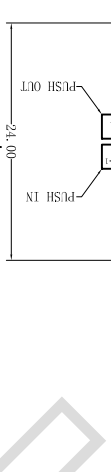
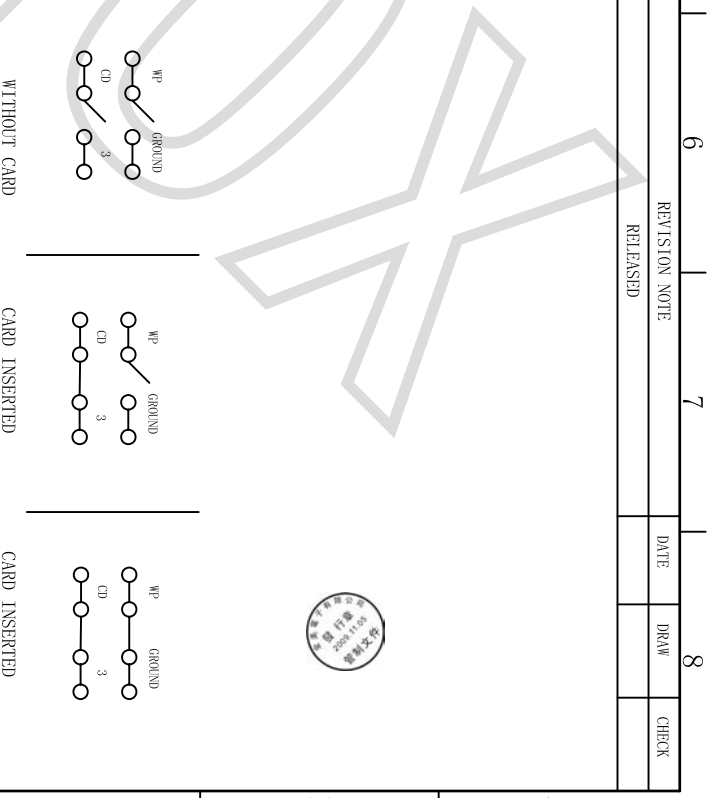
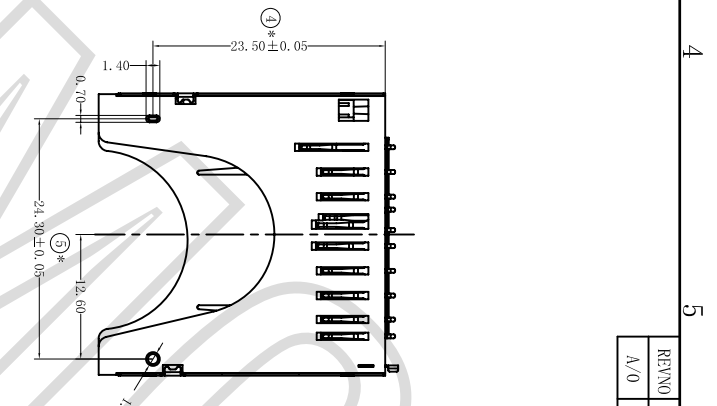
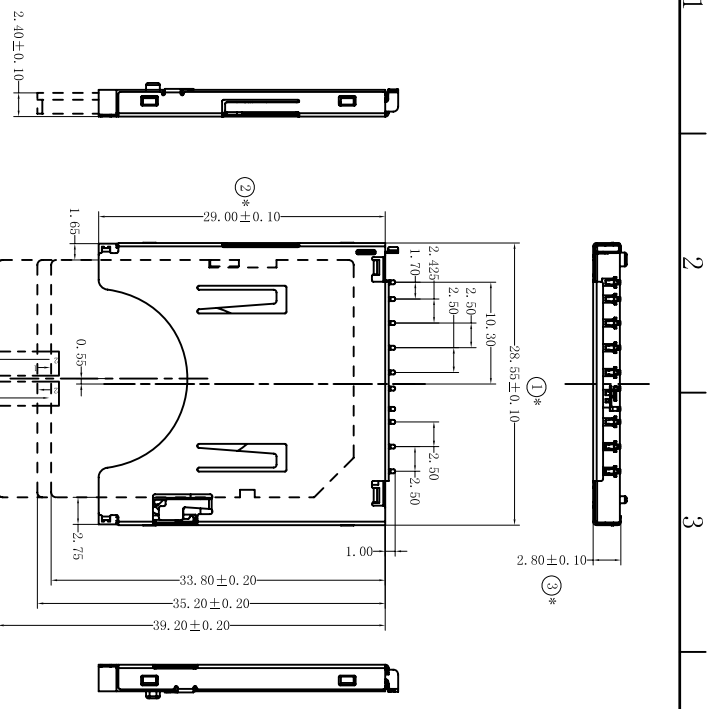


REVNO A/0	REVISION NOTE RELEASED	DATE	DRAW	CHECK
--------------	---------------------------	------	------	-------



Electrical
Voltage:100V AC(RMS)/DC
Current:0.5 A AC(RMS)/DC
Contact Resistance:80mΩ max
Insulation Resistance:1000MΩ min
Dielectric Withstanding Voltage:1000V AC/RMS
Operating Temp:-25℃~+90℃
Materials
Housing:High temperature Plastic UL 94V-0
Terminal:Copper Alloy

Pin#	Name	Type	Description
1	CD/DAT3	I/O/PP	Card Detect/ Data Line [Bit 3]
2	CMD	PP	Command/Response
3	Vss1	S	Supply voltage ground
4	Vio	S	Supply voltage
5	CLK	I	Clock
6	Vss2	S	Supply voltage ground
7	DAT0	I/O/PP	Data Line [Bit 0]
8	DAT1	I/O/PP	Data Line [Bit 1]
9	DAT2	I/O/PP	Data Line [Bit 2]

DIMENSION UNIT: MM	PROD. SPEC.	<p>KINMOX 金美電子有限公司 Kinmox electronic co.,limited</p> <p>www.kinmox.com 0755-89737484 Fax:0755-89737017</p>
TOLERANCE UNLESS OTHERWISE SPECIFIED	PKG. SPEC.	
. X ± 0.10	X° ± 1°	TITLE: SD PUSH/PUSH CONNECTOR
. XX ± 0.05	X° ± 0.5°	PROJ.:
. XXX ± 0.03	. XX° ± 0.3°	DRW.:

PART NUMBER:	REV: A/0
FILE NO.	SCALE: 1:1
SHEET 1/1	

P.C.B LAYOUT

