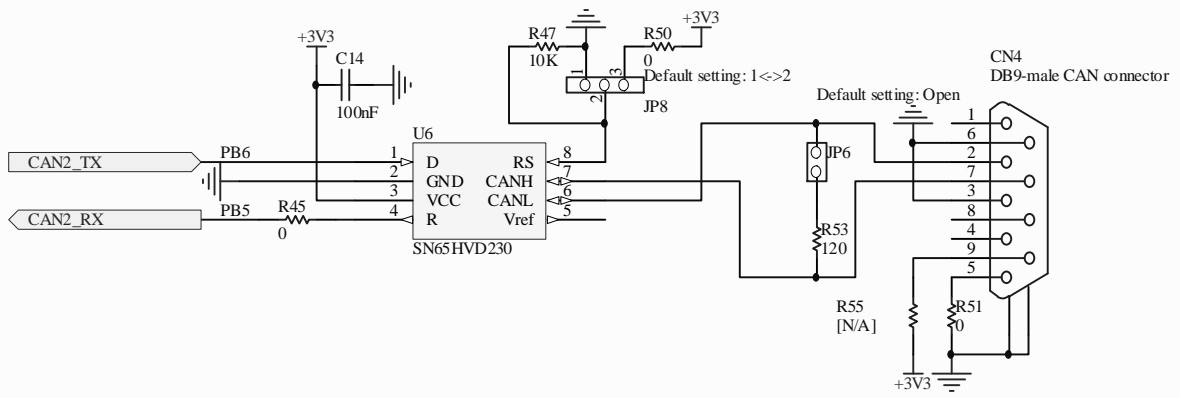
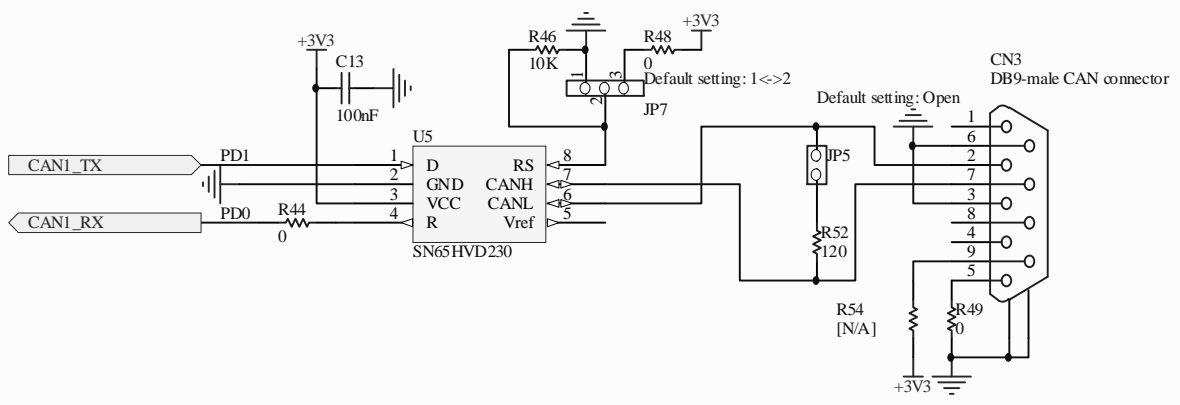
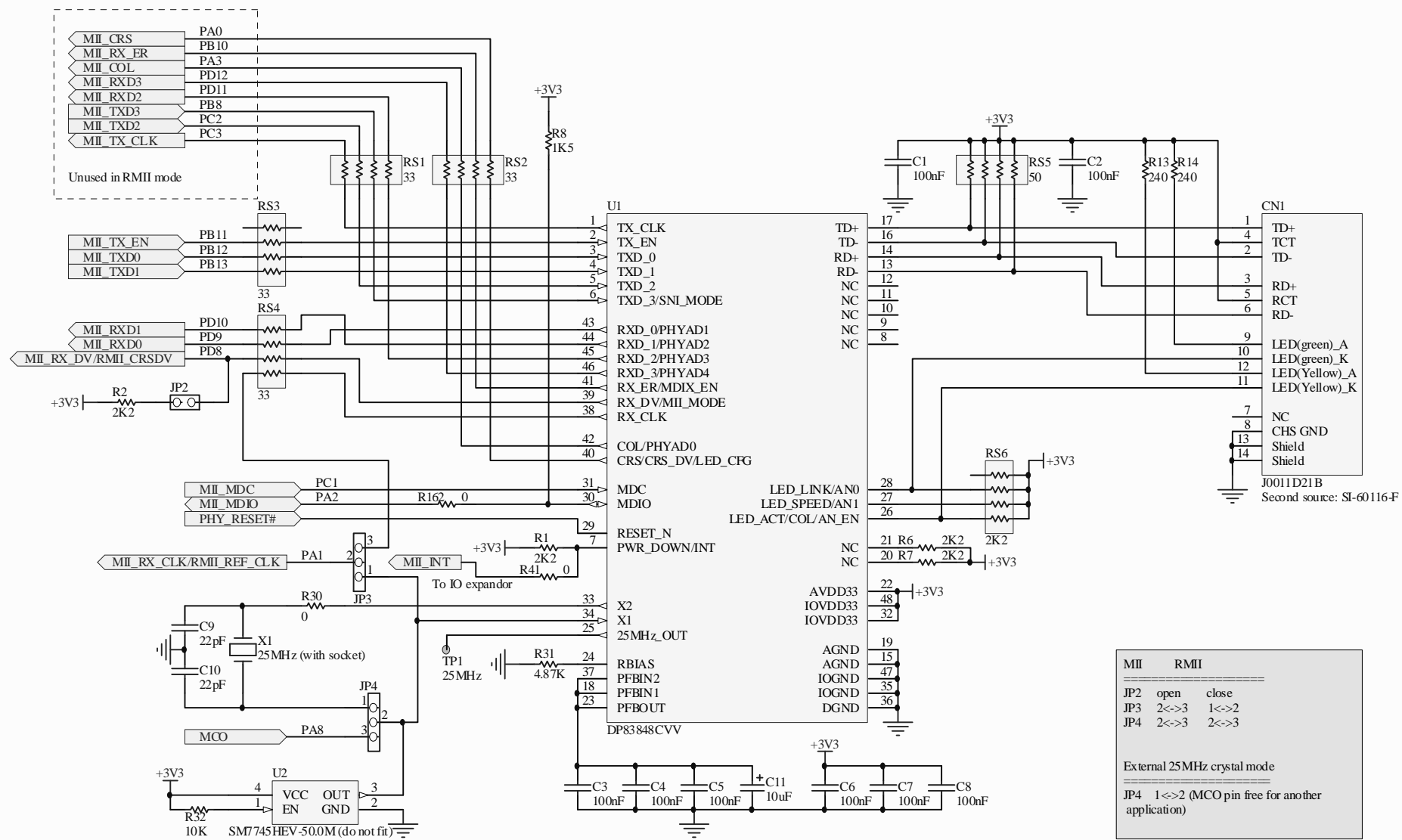


STMicroelectronics			
Title: STM3210C-EVAL Audio			
Number: MB784	Rev: B.2(PCB.SCH)	Date: 6/5/2009	Sheet 5 of 16





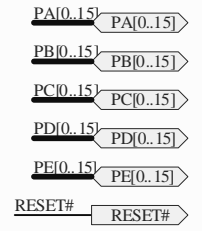
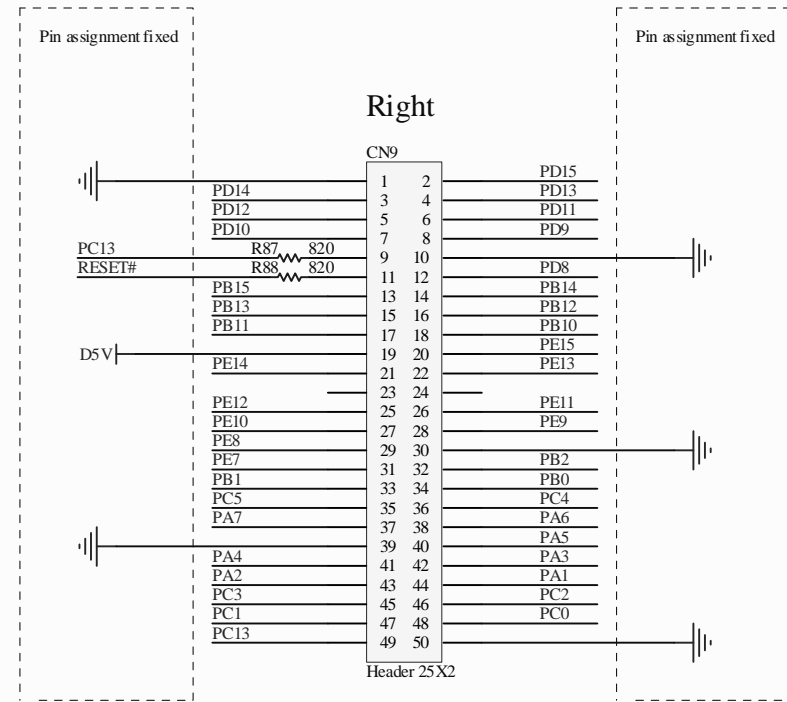
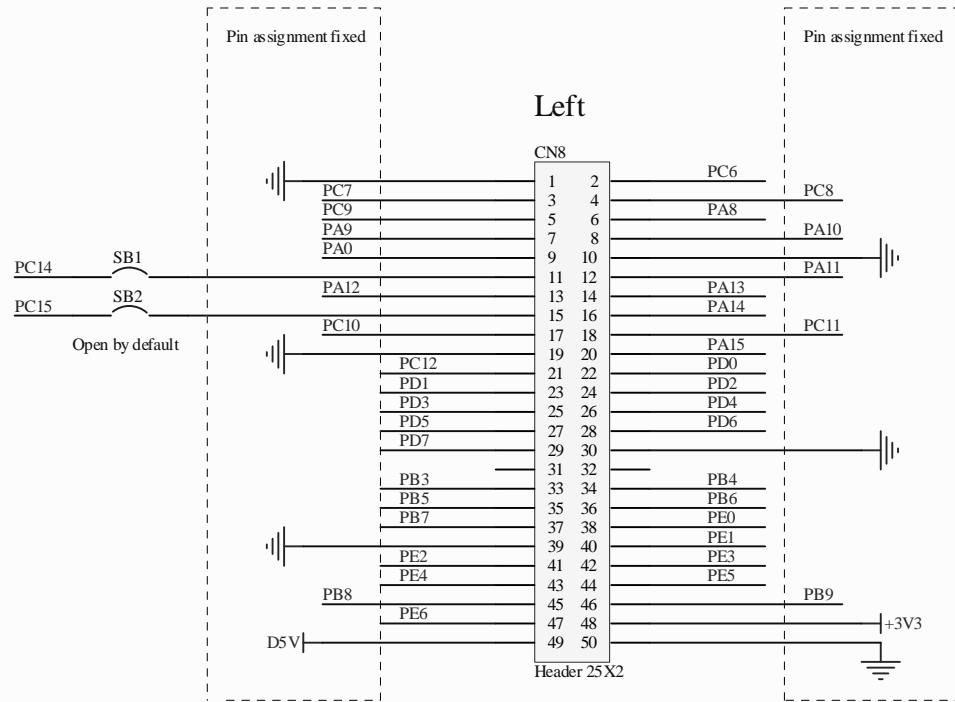
MII	RMI
JP2	open close
JP3	2<->3 1<->2
JP4	2<->3 2<->3

External 25MHz crystal mode

JP4	1<->2 (MCO pin free for another application)
-----	--

STMicroelectronics

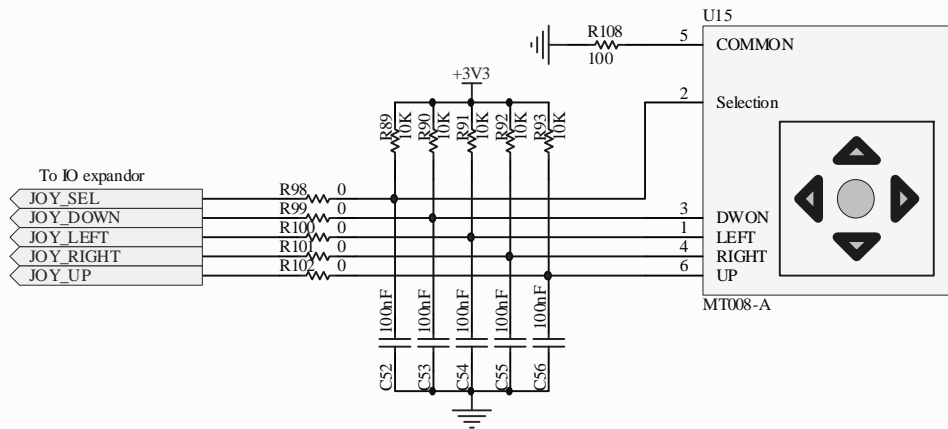
Title: STM3210C-EVAL Ethernet



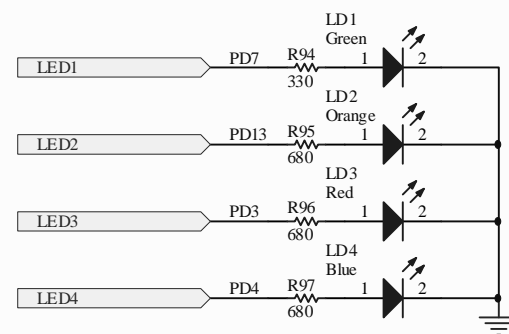
STMicroelectronics

Title: **STM3210C-EVAL Extension connector**

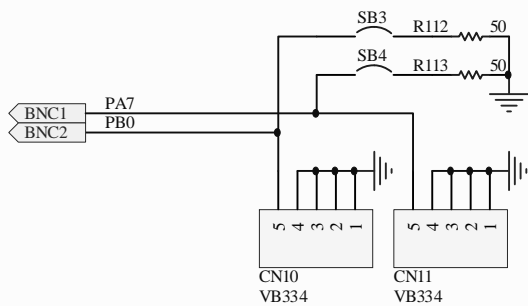
Number: MB784 | Rev: B.2(PCB.SCH) | Date: 6/5/2009 | Sheet 13 of 16



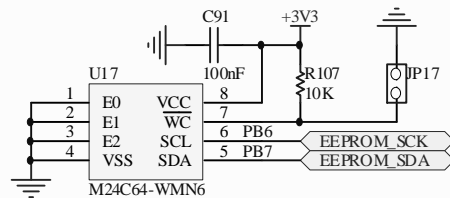
Joystick



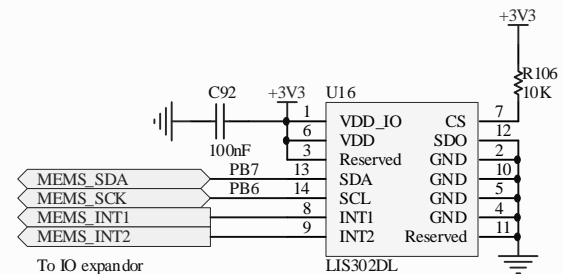
LEDs



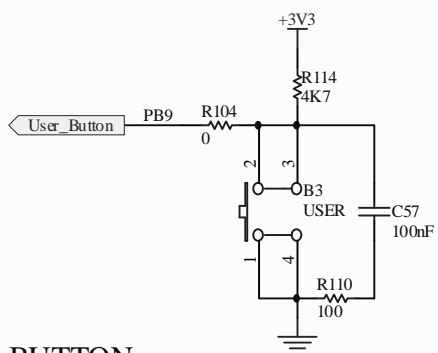
BNC



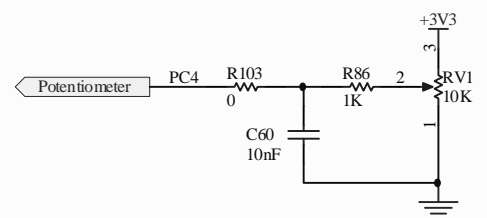
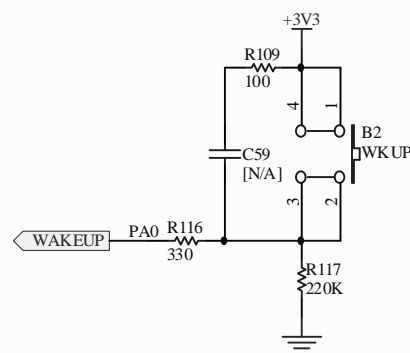
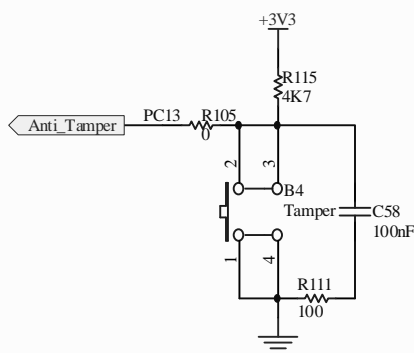
EEPROM



MEMS



BUTTON

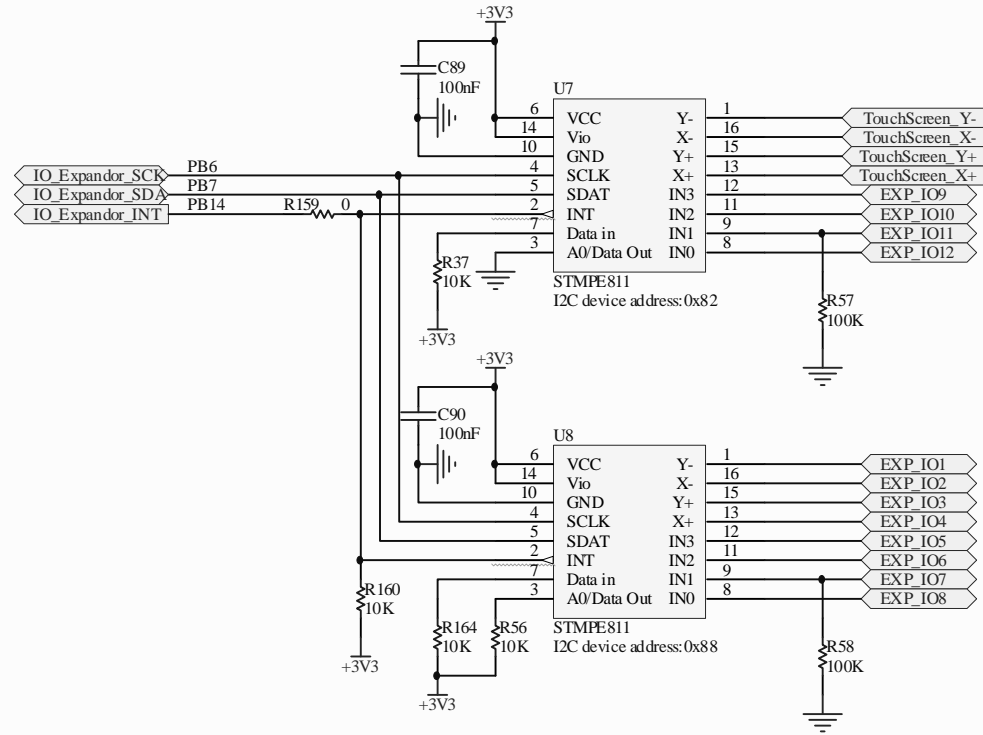


Potentiometer

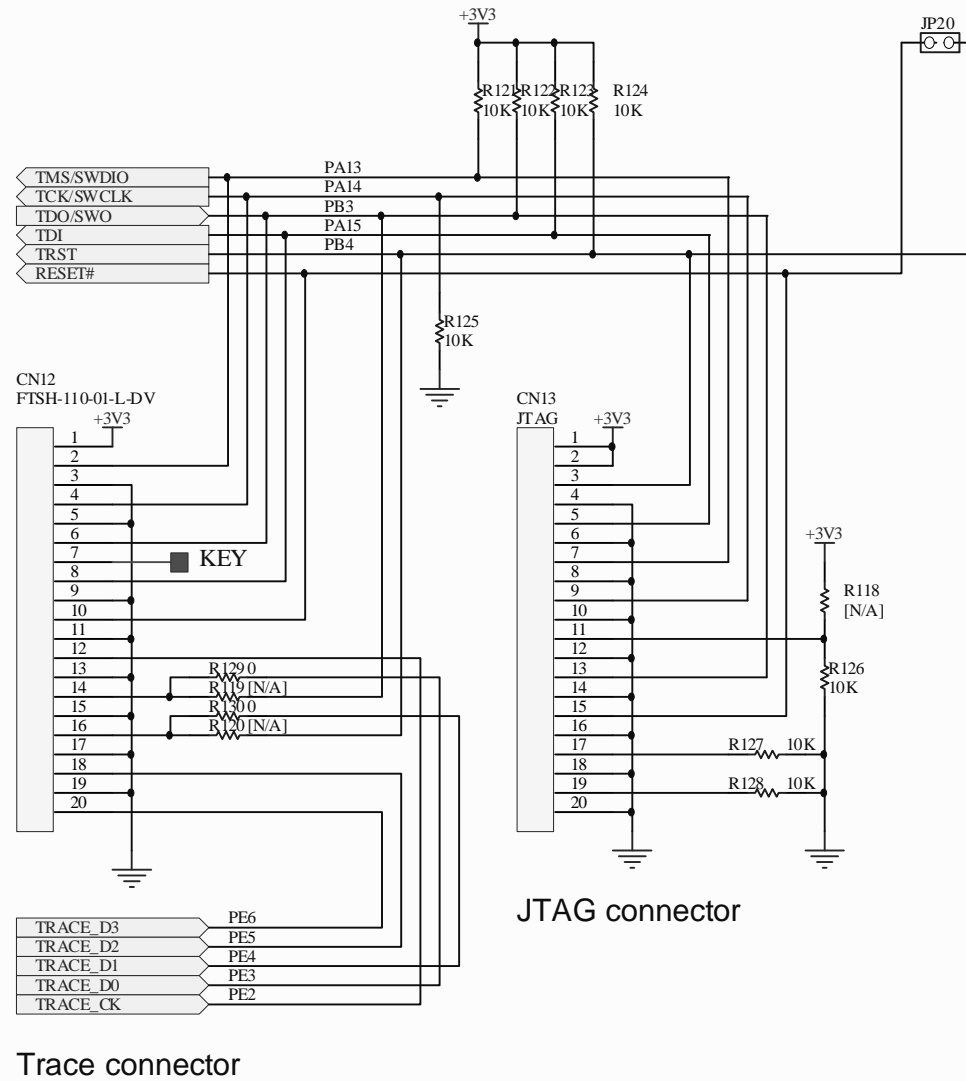
STMicroelectronics

Title: **STM3210C-EVAL IO Peripherals**

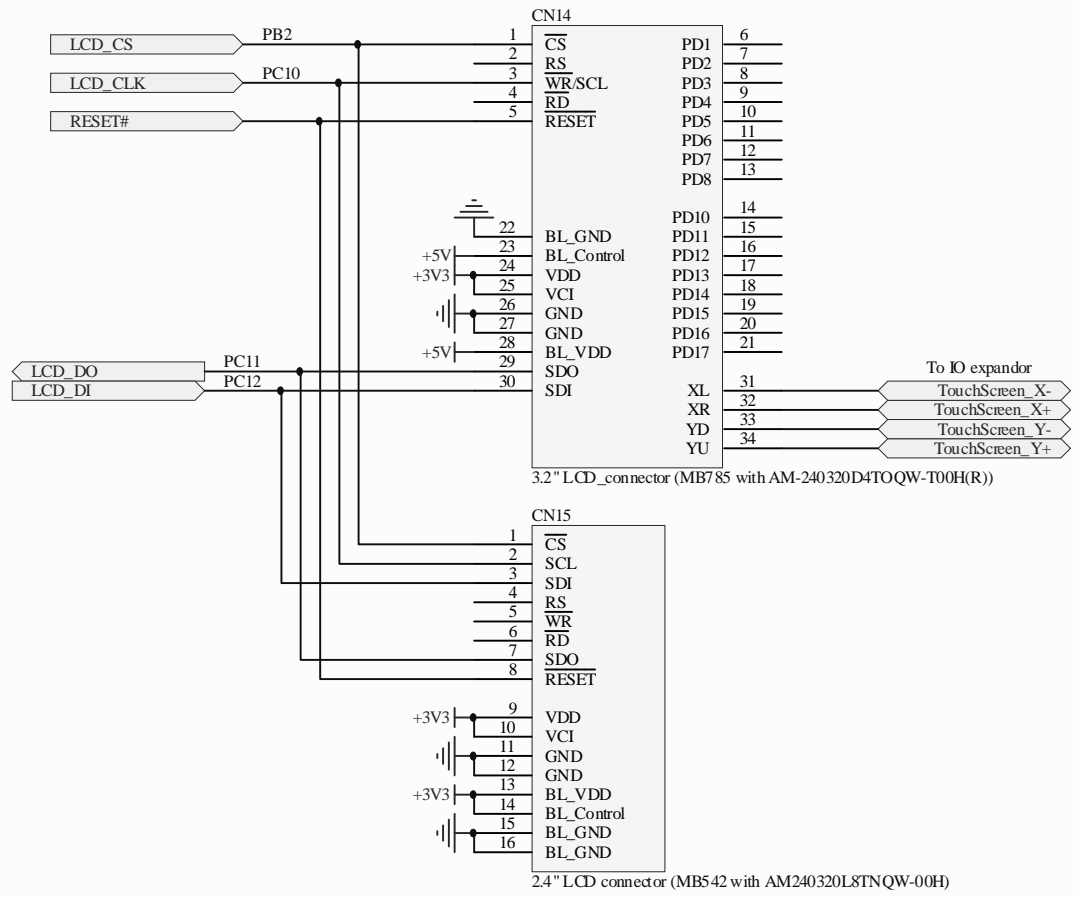
Number: MB784 | Rev: B.2(PCB.SCH) | Date: 6/5/2009 | Sheet 12 of 16



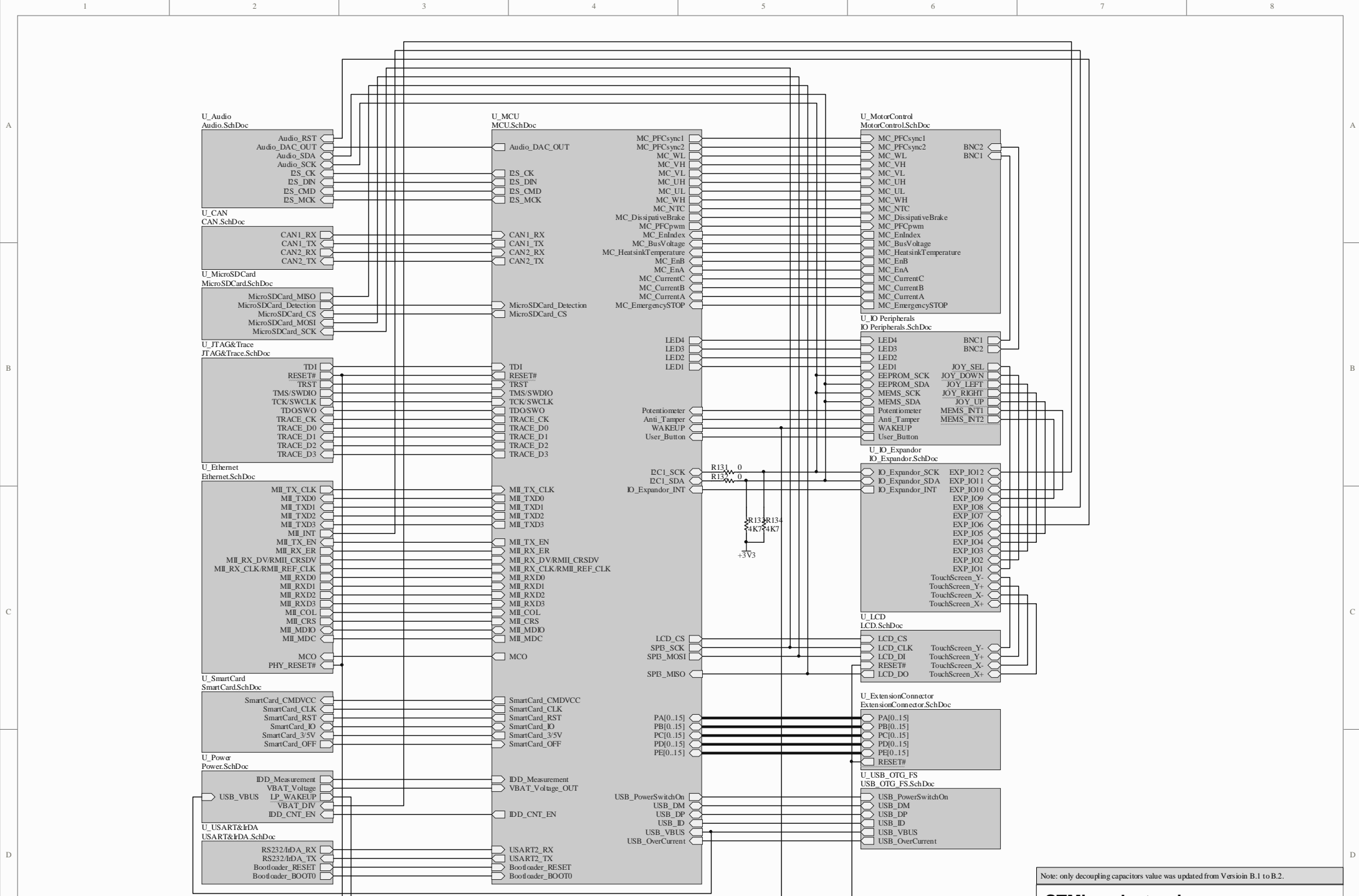
STMicroelectronics			
Title: STM3210C-EVAL IO_Expander			
Number: MB784	Rev: B.2(PCB.SCH)	Date: 6/5/2009	Sheet 7 of 16



STMicroelectronics			
Title: STM3210C-EVAL JTAG & Trace			
Number: MB784	Rev: B.2(PCB.SCH)	Date: 6/5/2009	Sheet 14 of 16



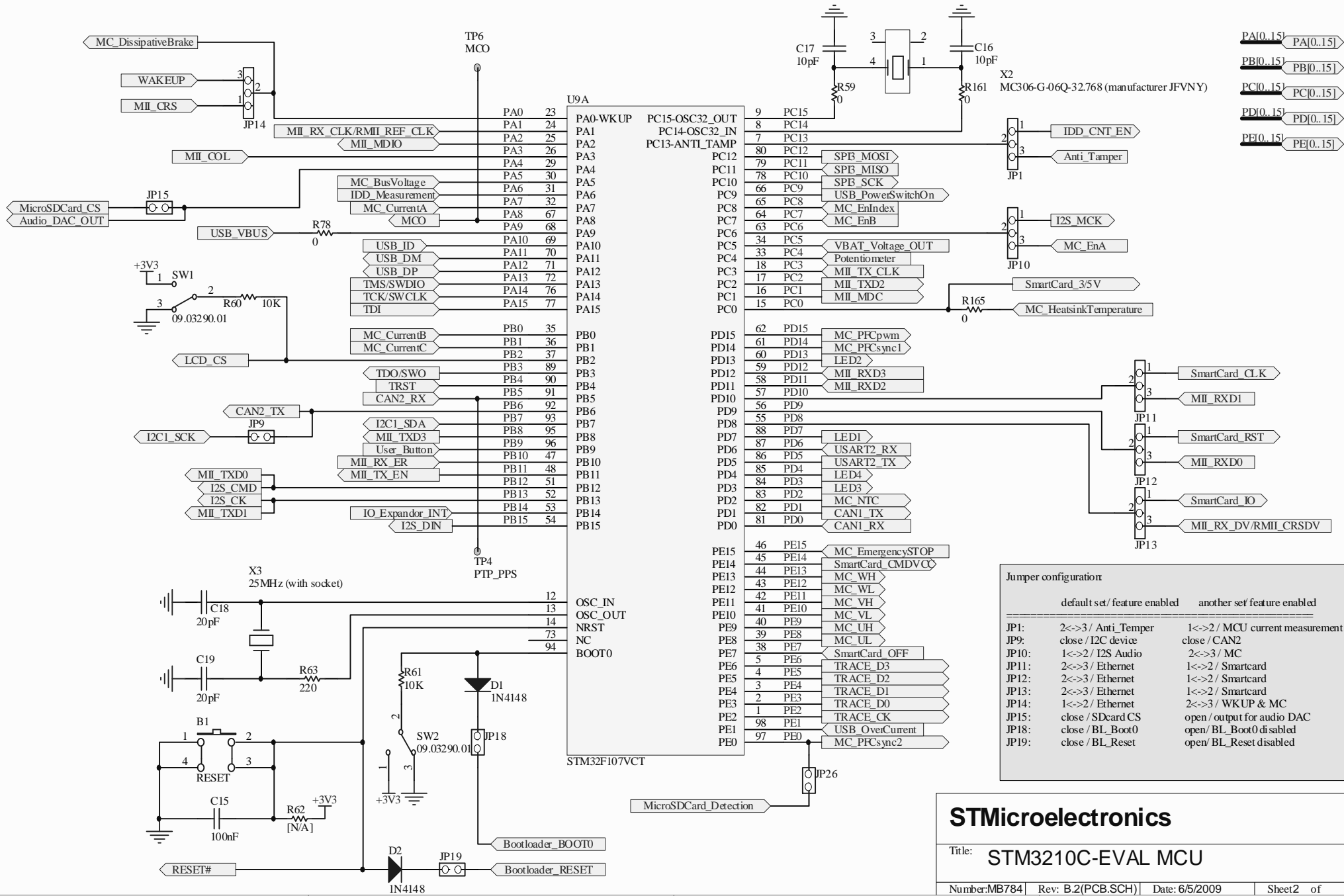
STMicroelectronics			
Title: STM3210C-EVAL LCD			
Number: MB784	Rev: B.2(PCB.SCH)	Date: 6/5/2009	Sheet 6 of 16



Note: only decoupling capacitors value was updated from version B.1 to B.2.

STMicroelectronics

Title: **STM3210C-EVAL**



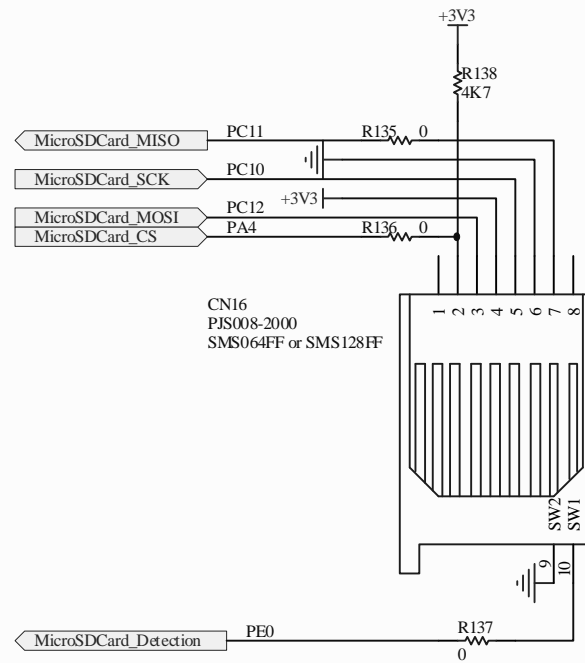
Jumper configuration

	default set / feature enabled	another set / feature enabled
JP1:	2->3 / Anti_Temper	1->2 / MCU current measurement
JP9:	close / I2C device	close / CAN2
JP10:	1->2 / I2S Audio	2->3 / MC
JP11:	2->3 / Ethernet	1->2 / Smartcard
JP12:	2->3 / Ethernet	1->2 / Smartcard
JP13:	2->3 / Ethernet	1->2 / Smartcard
JP14:	1->2 / Ethernet	2->3 / WKUP & MC
JP15:	close / SDcard CS	open / output for audio DAC
JP18:	close / BL_Boot0	open / BL_Boot0 di sabled
JP19:	close / BL_Reset	open / BL_Reset disabled

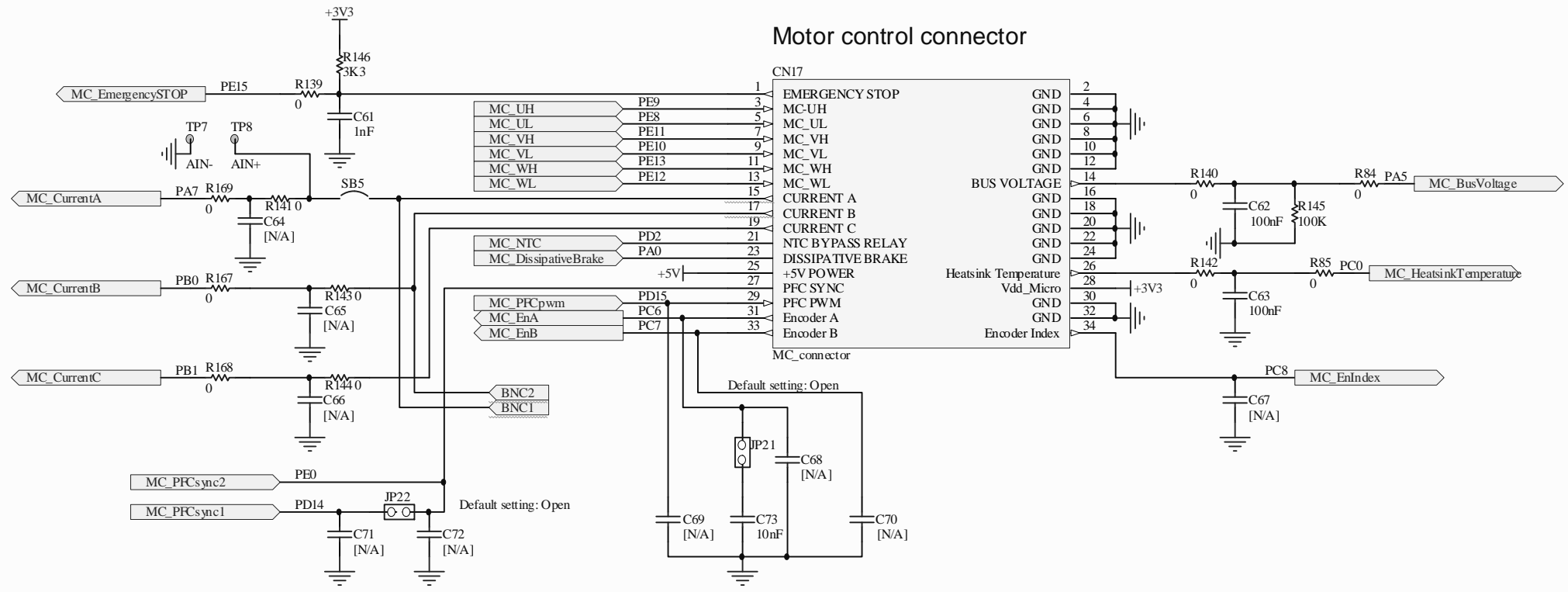
STMicroelectronics

Title: **STM3210C-EVAL MCU**

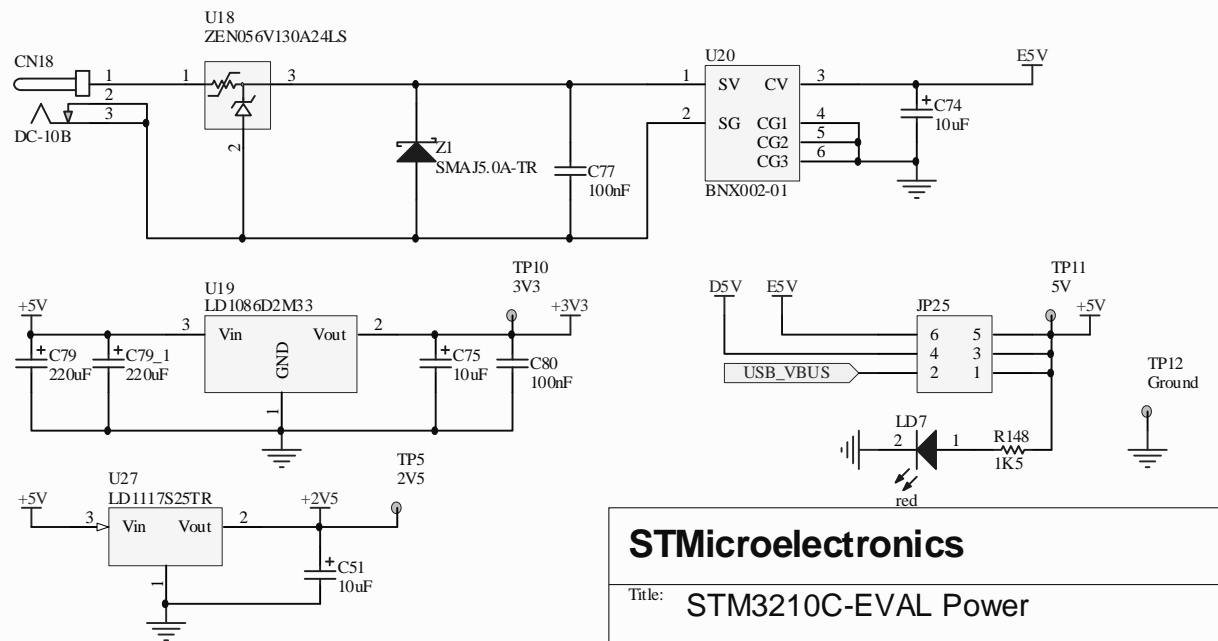
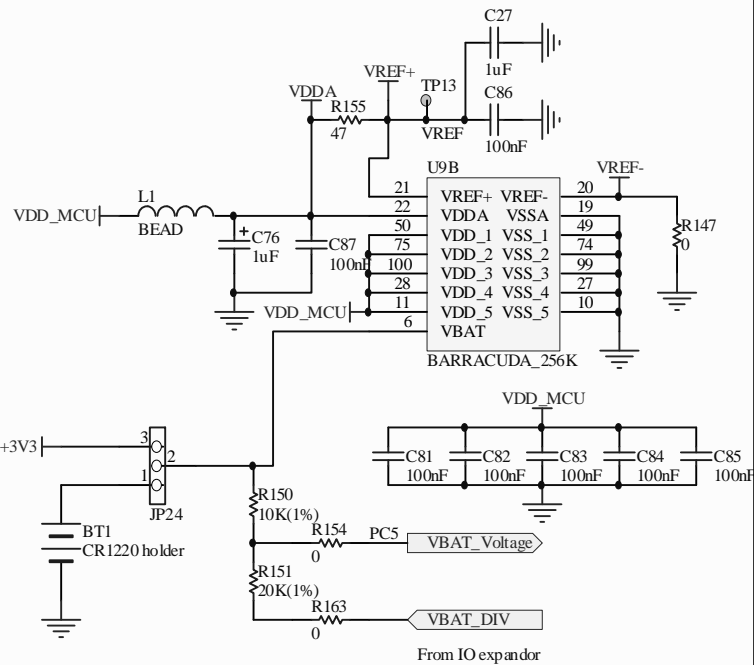
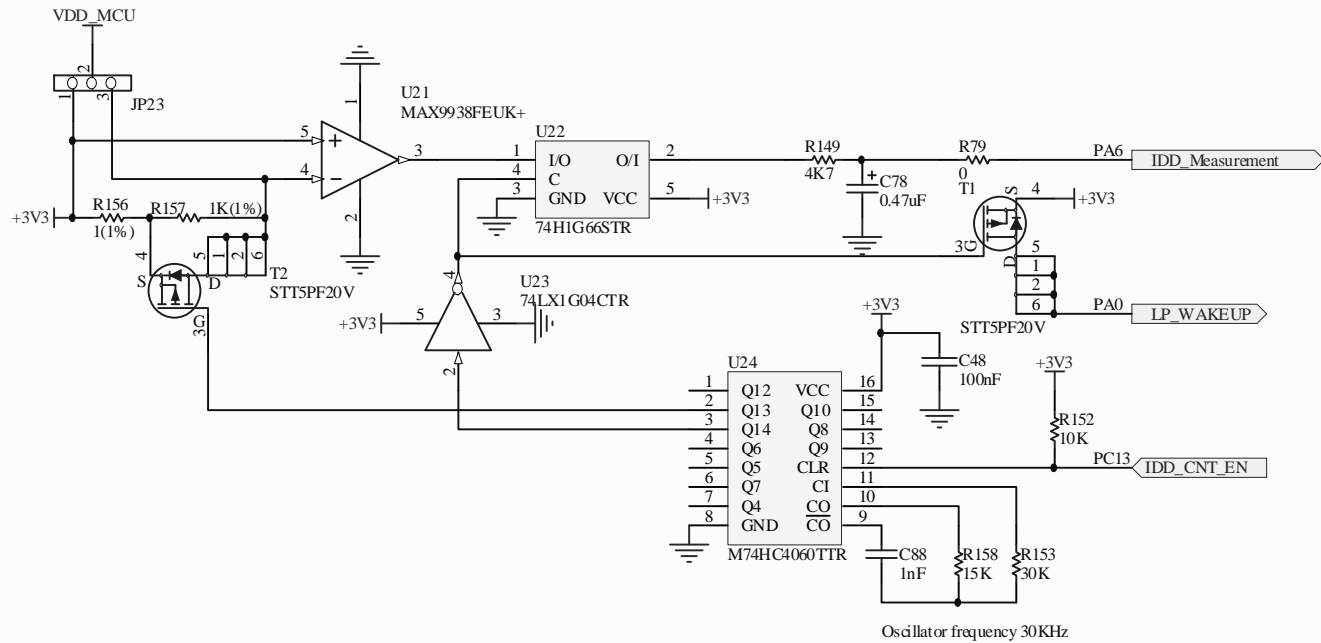
Number: MB784 | Rev: B.2(PCB.SCH) | Date: 6/5/2009 | Sheet 2 of 16



STMicroelectronics			
Title: STM3210C-EVAL MicroSD card			
Number:MB784	Rev: B.2(PCB.SCH)	Date: 6/5/2009	Sheet15 of 16



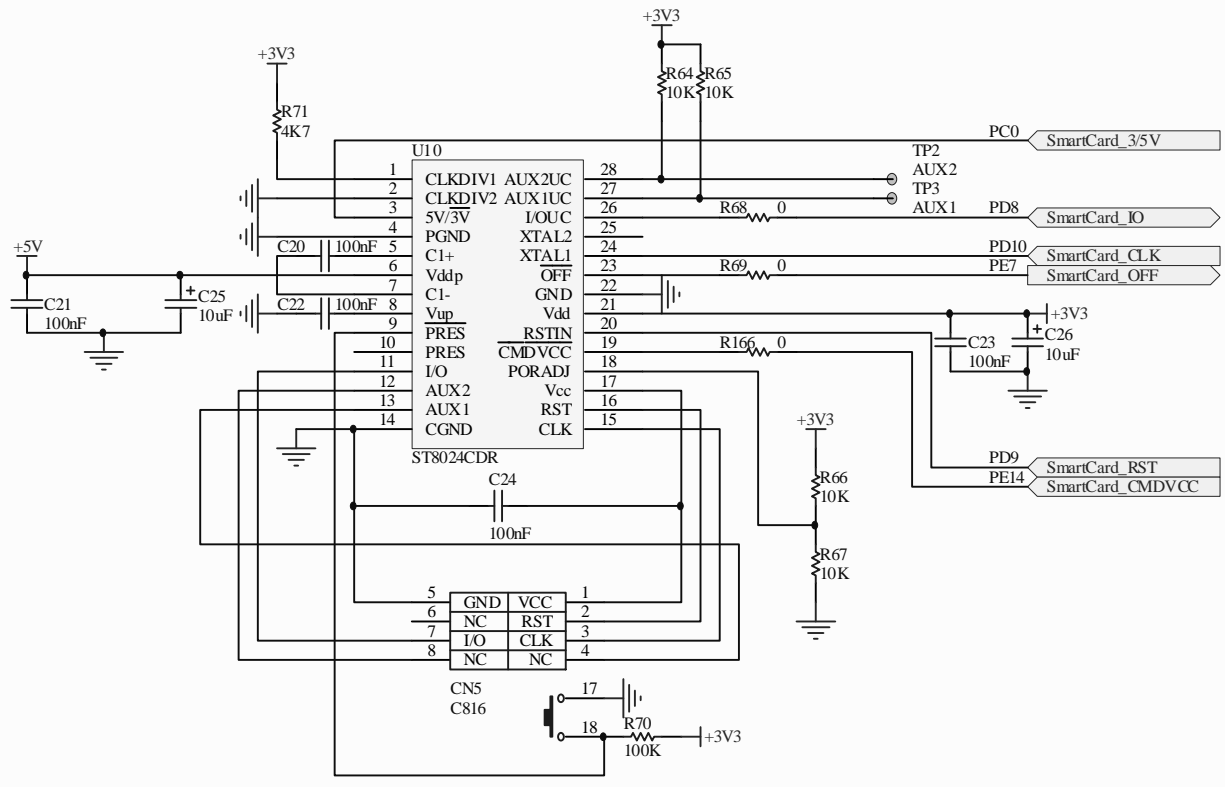
STMicroelectronics			
Title: STM3210C-EVAL Motor control			
Number: MB784	Rev: B.2(PCB.SCH)	Date: 6/5/2009	Sheet 11 of 16



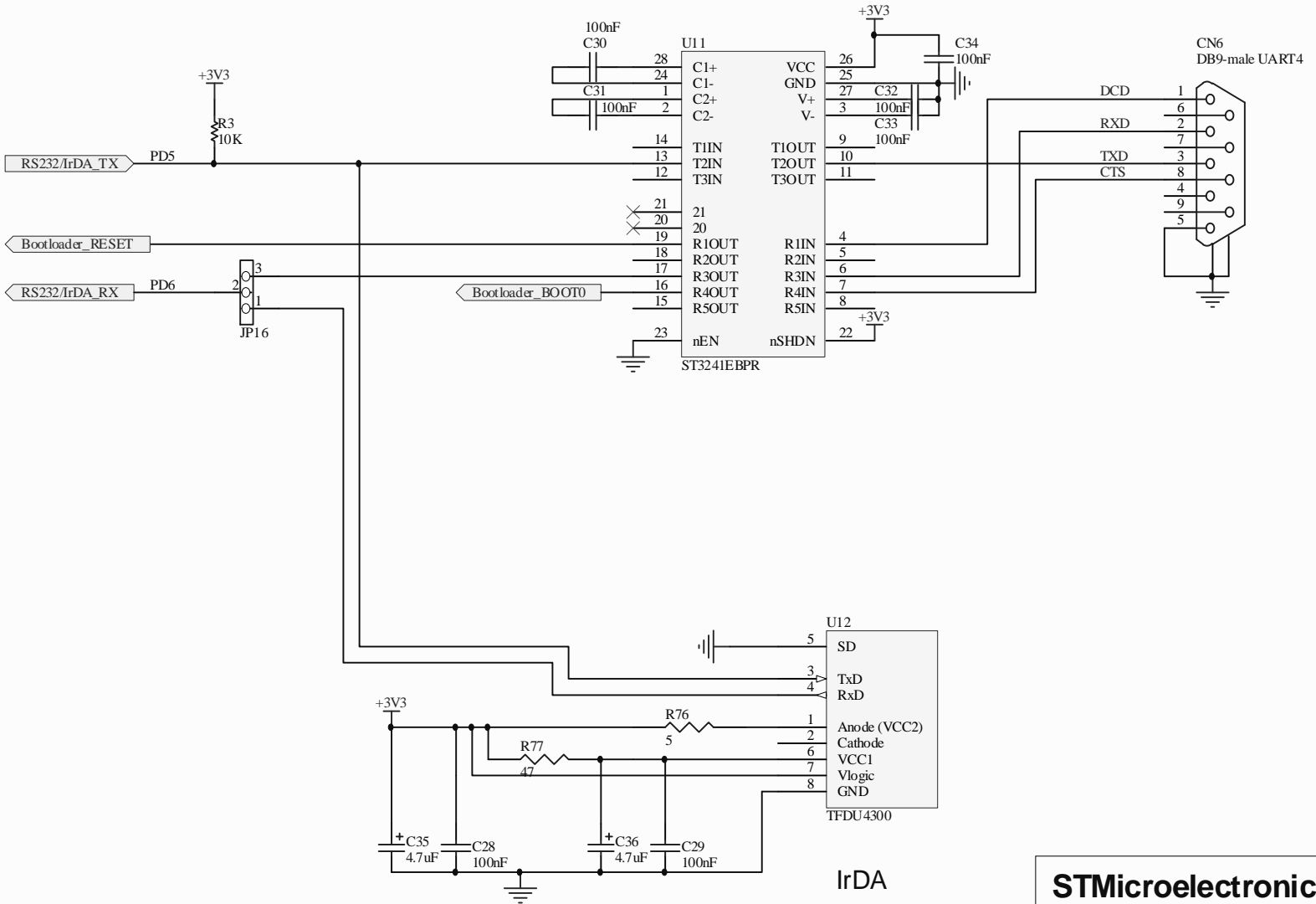
STMicroelectronics

Title: **STM3210C-EVAL Power**

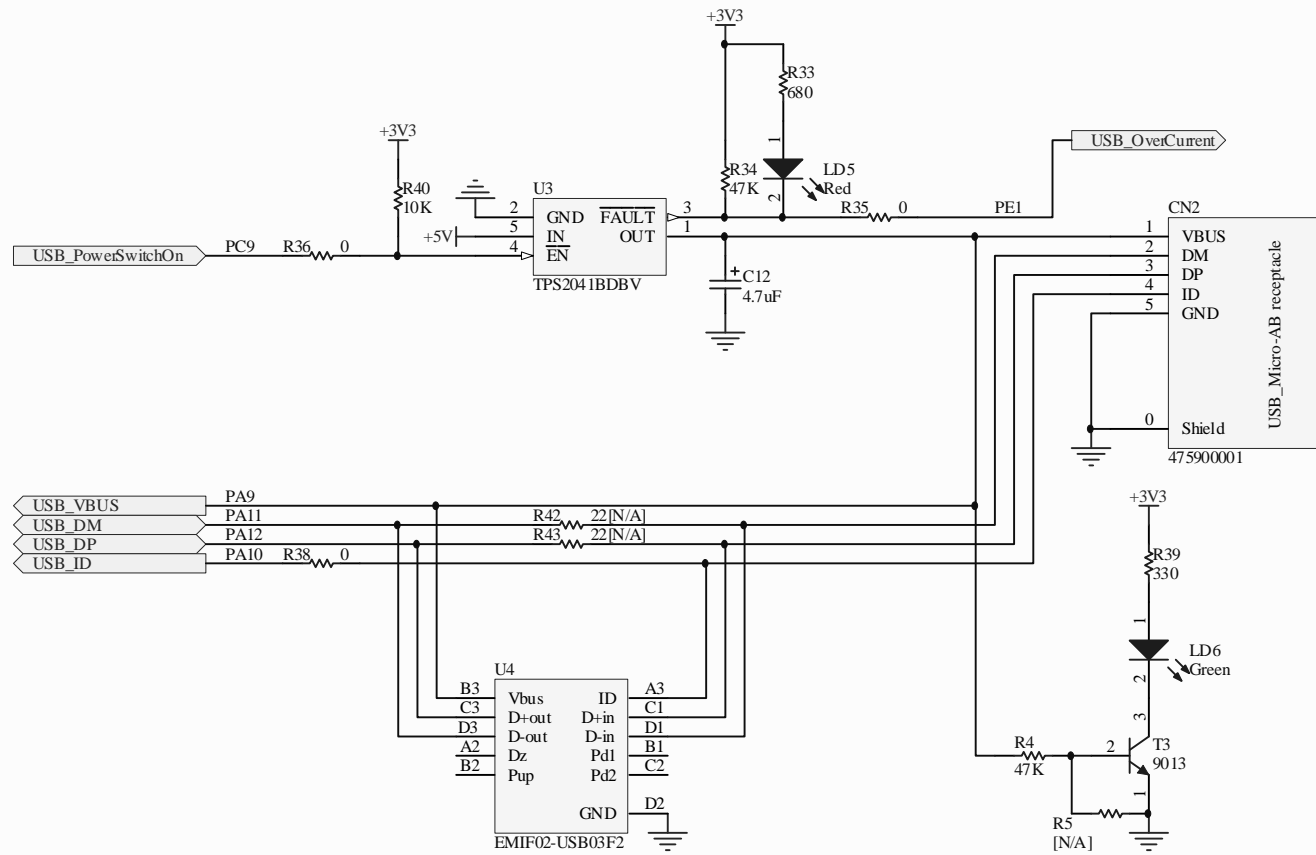
Number: MB784 | Rev: B.2(PCB.SCH) | Date: 6/5/2009 | Sheet 16 of 16



STMicroelectronics			
Title: STM3210C-EVAL Smart card			
Number: MB784	Rev: B.2(PCB.SCH)	Date: 6/5/2009	Sheet 10 of 16



STMicroelectronics			
Title: STM3210C-EVAL RS232&IrDA			
Number:MB784	Rev: B.2(PCB.SCH)	Date: 6/5/2009	Sheet9 of 16



STMicroelectronics

Title: **STM3210C-EVAL USB_OTG_FS**

Number: MB784 | Rev: B.2(PCB.SCH) | Date: 6/5/2009 | Sheet 4 of 16