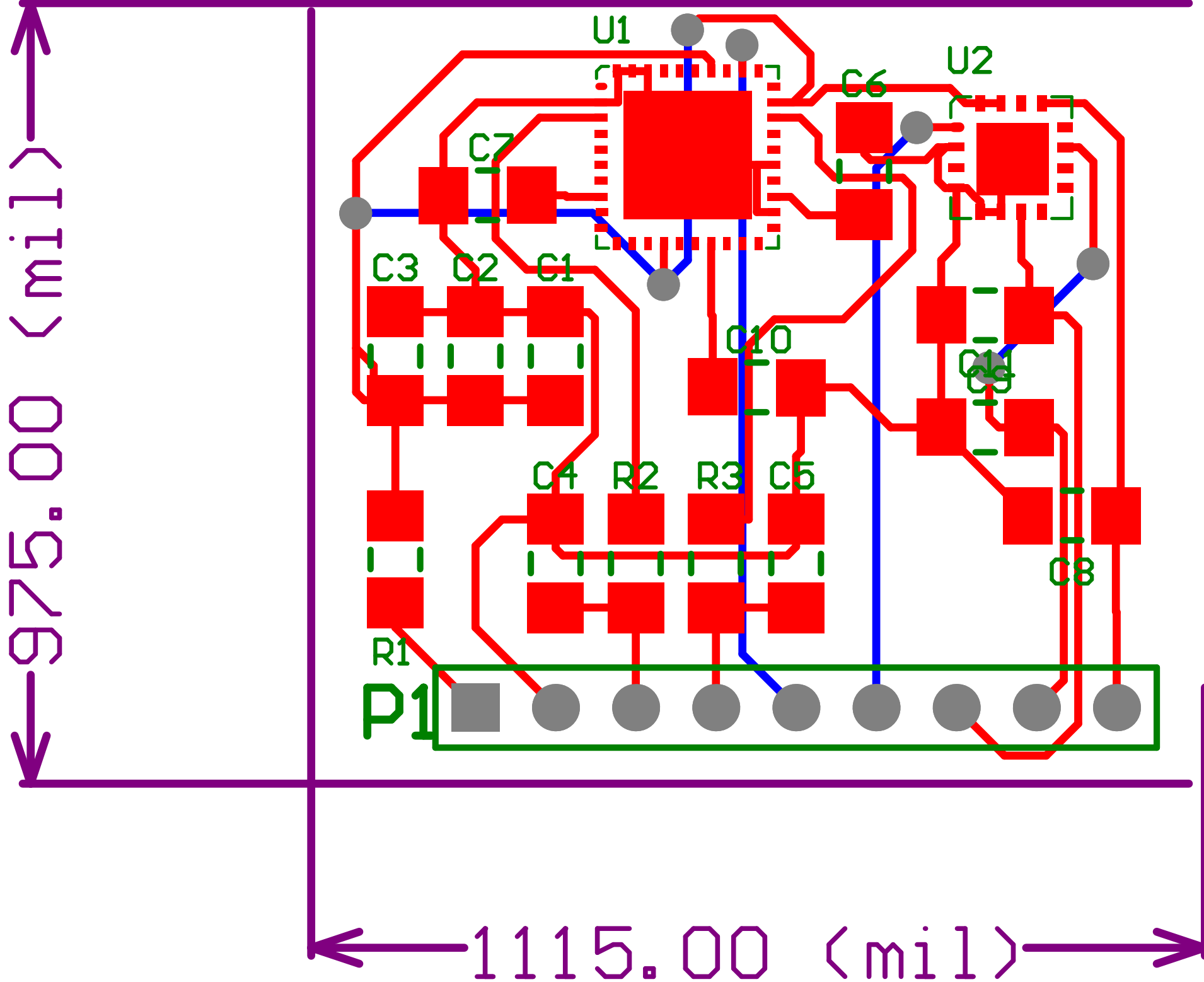


Title		
Size	Number	Revision
A4		
Date:	2010-1-6	Sheet of
File:	C:\Documents and Settings\Sheet1.SchDoc\Drawn By:	



Comment	Description	Designator	Footprint	LibRef	Quantity
Cap	Capacitor	C1, C2, C3, C4, C5, C6, C7, C8, C9, C10, C11	3216[1206]	Cap	11
Header 9	Header, 9-Pin	P1	HDR1X9	Header 9	1
Res2	Resistor	R1, R2, R3	3216[1206]	Res2	3
ADXL330		u2	ADXL330	ADXL330	1
IDG300		U1	idg300 - duplicate	IDG300	1