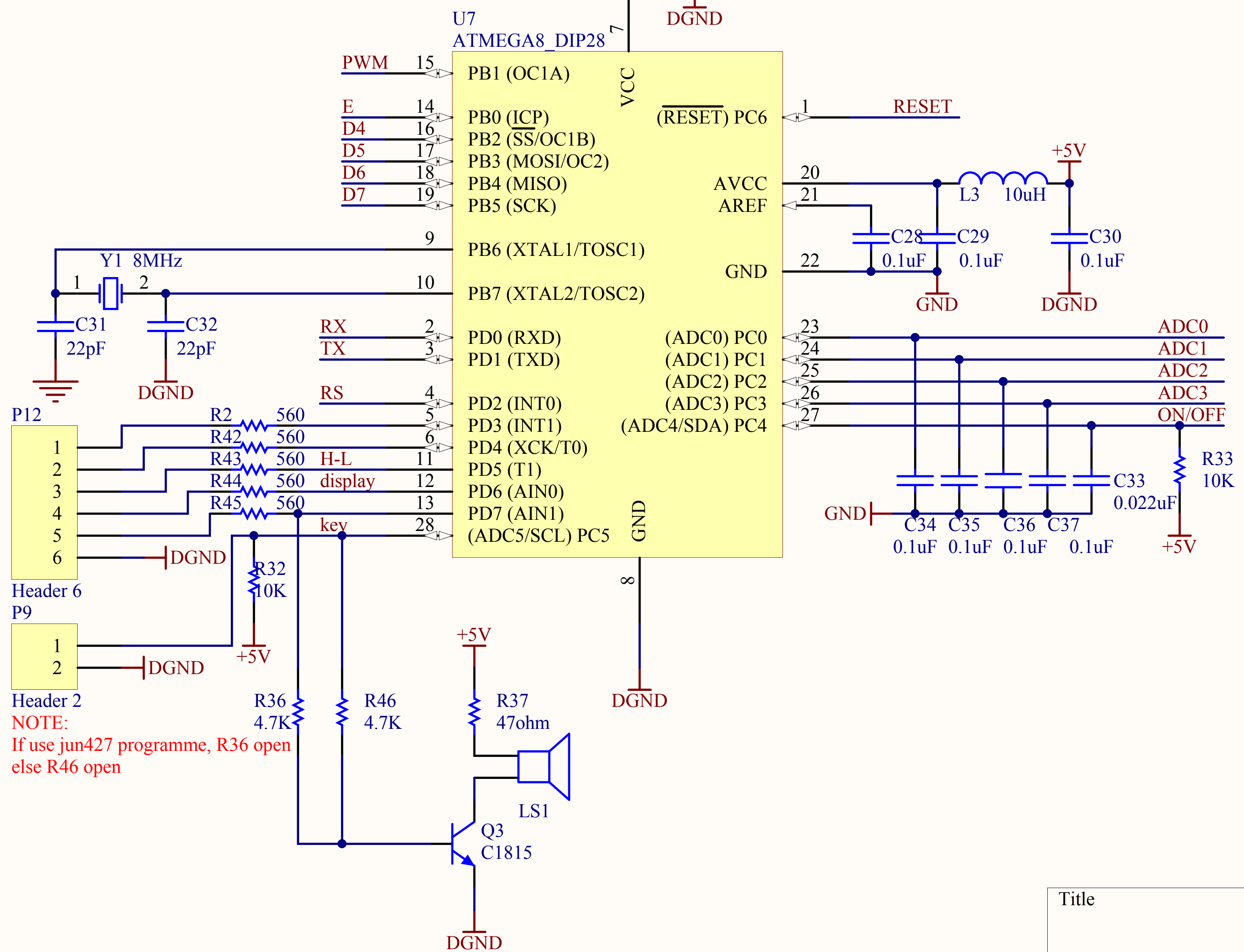
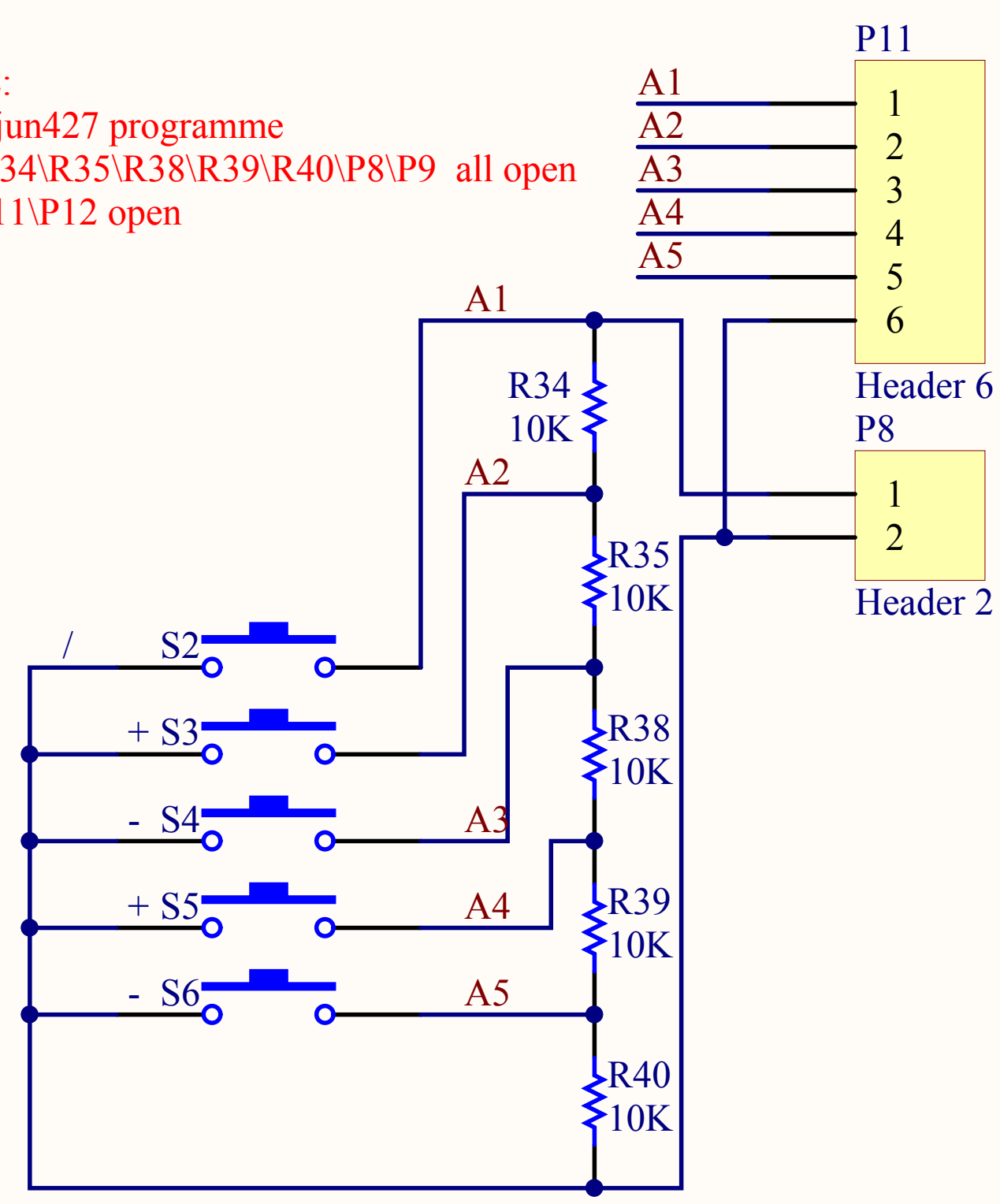
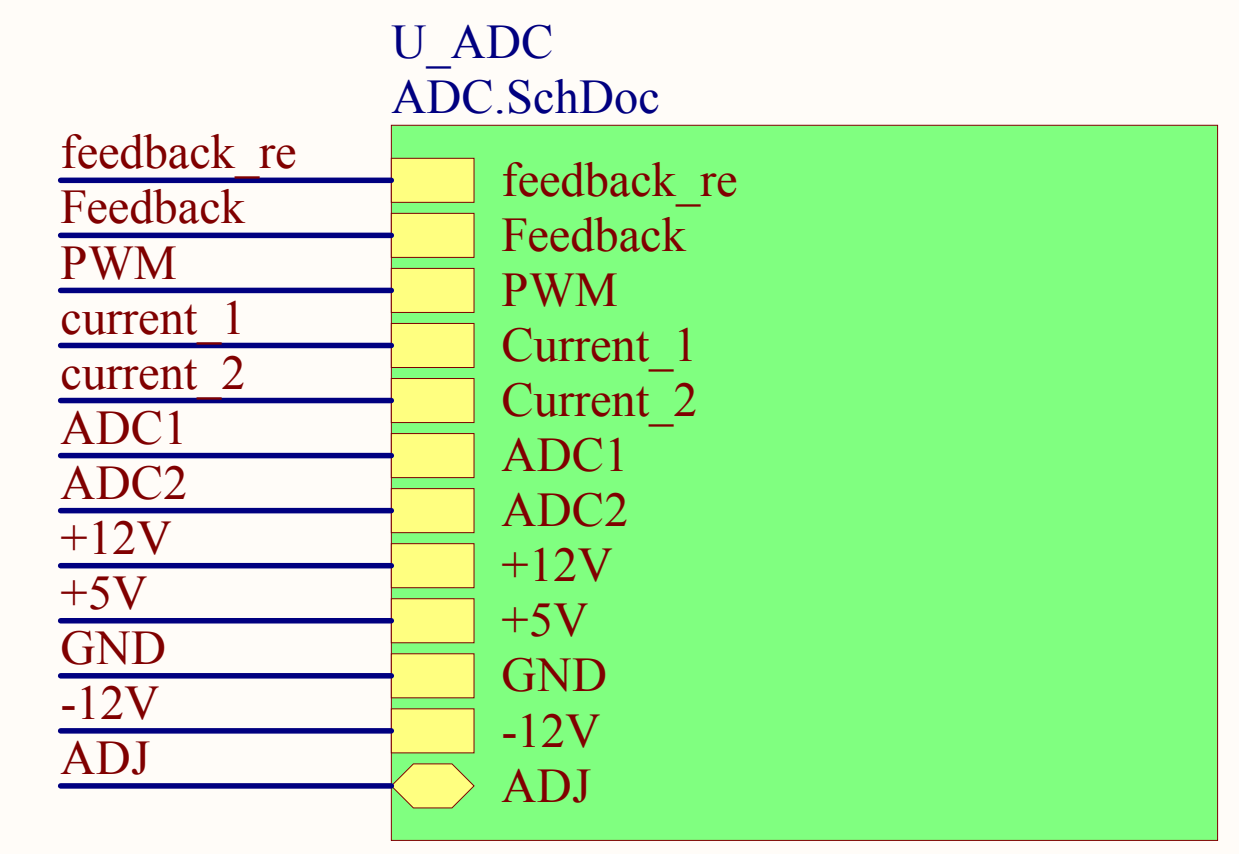
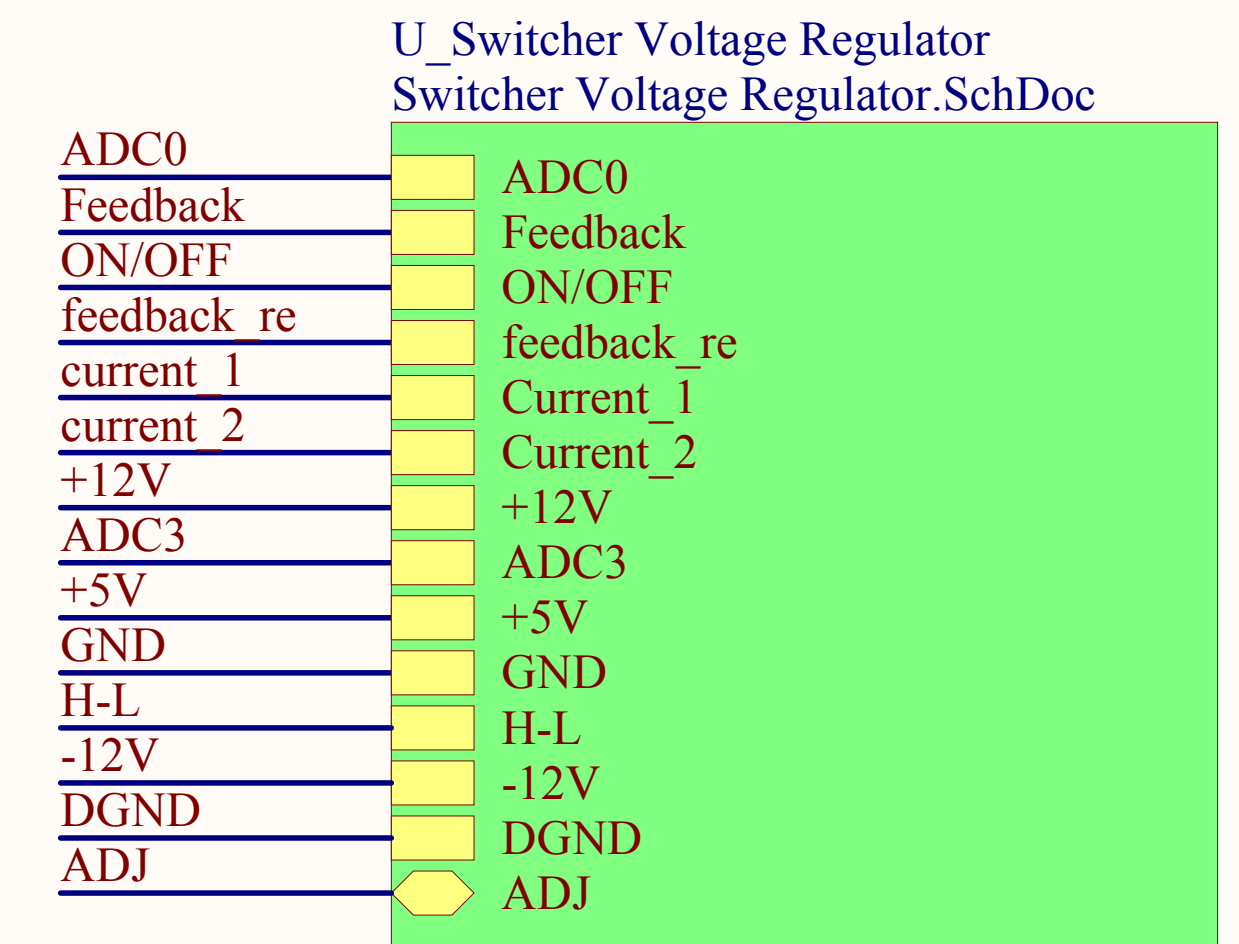


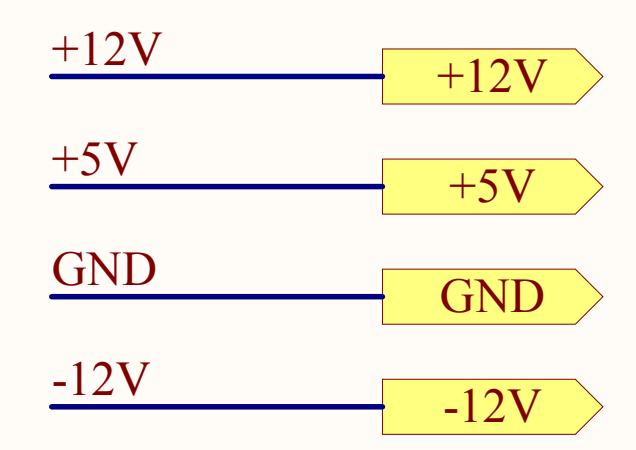
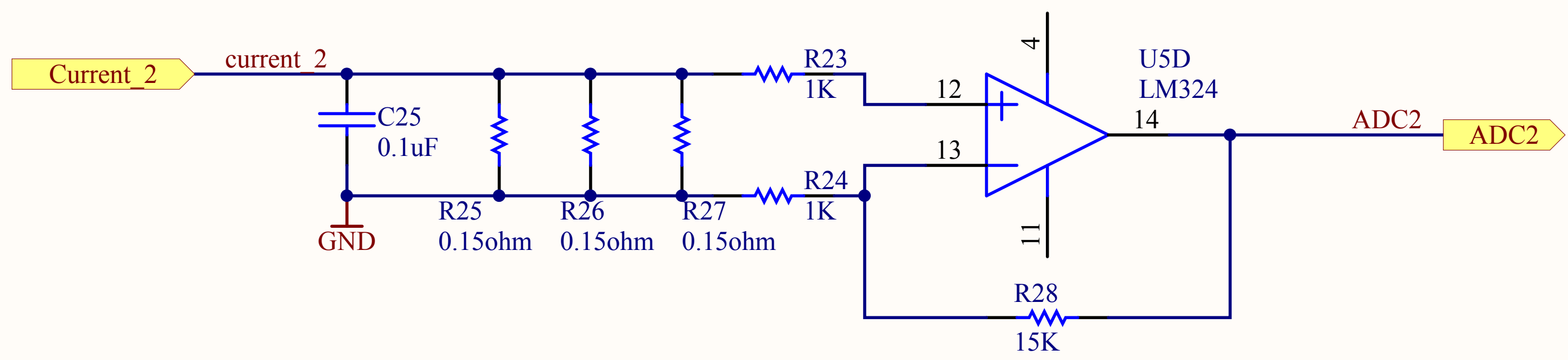
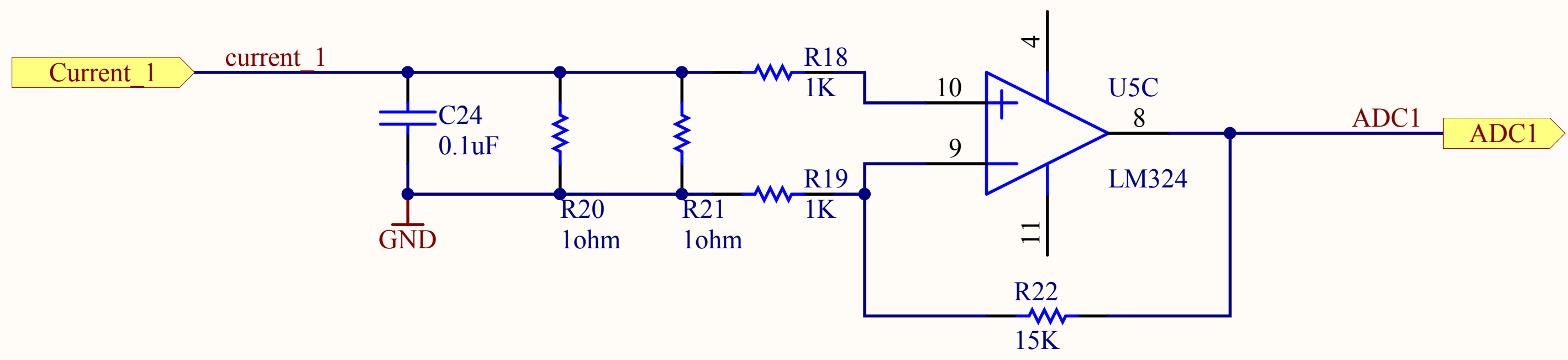
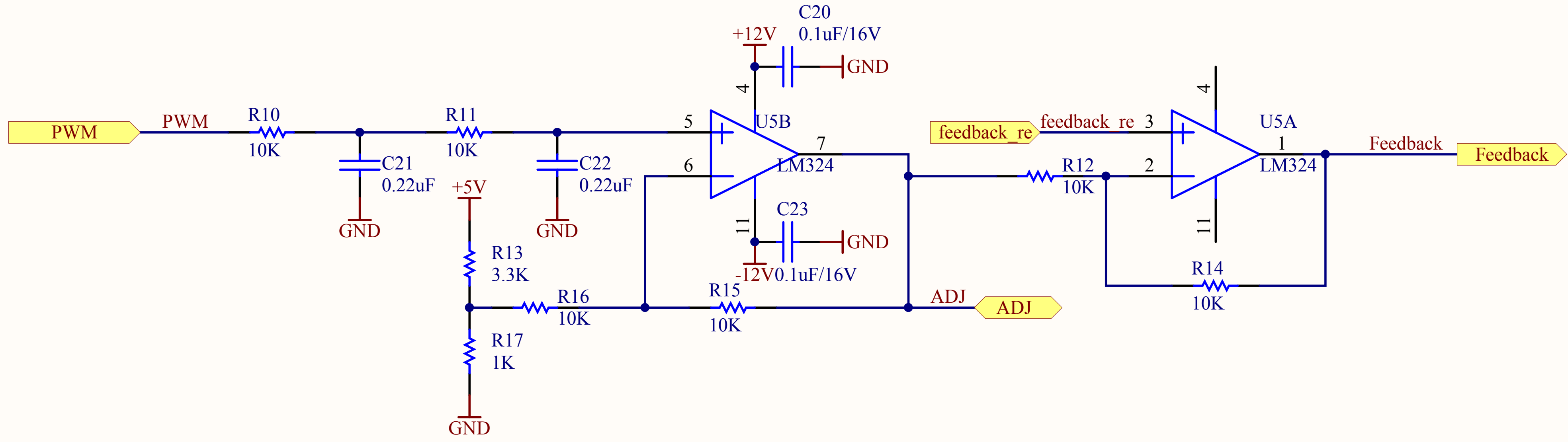
NOTE:
If use jun427 programme
R32\R34\R35\R38\R39\R40\P8\P9 all open
else P11\P12 open



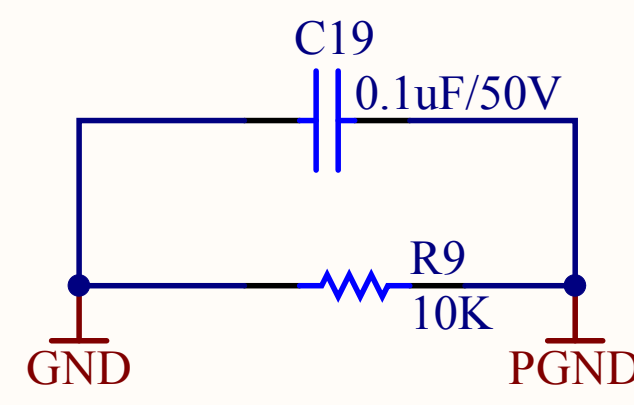
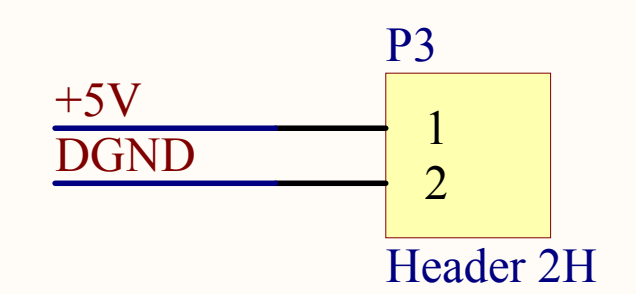
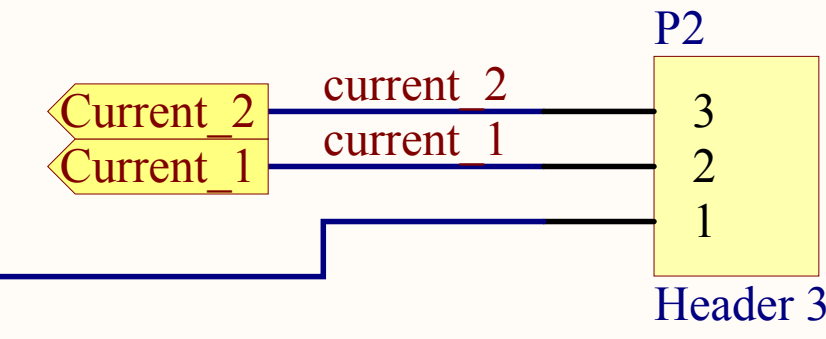
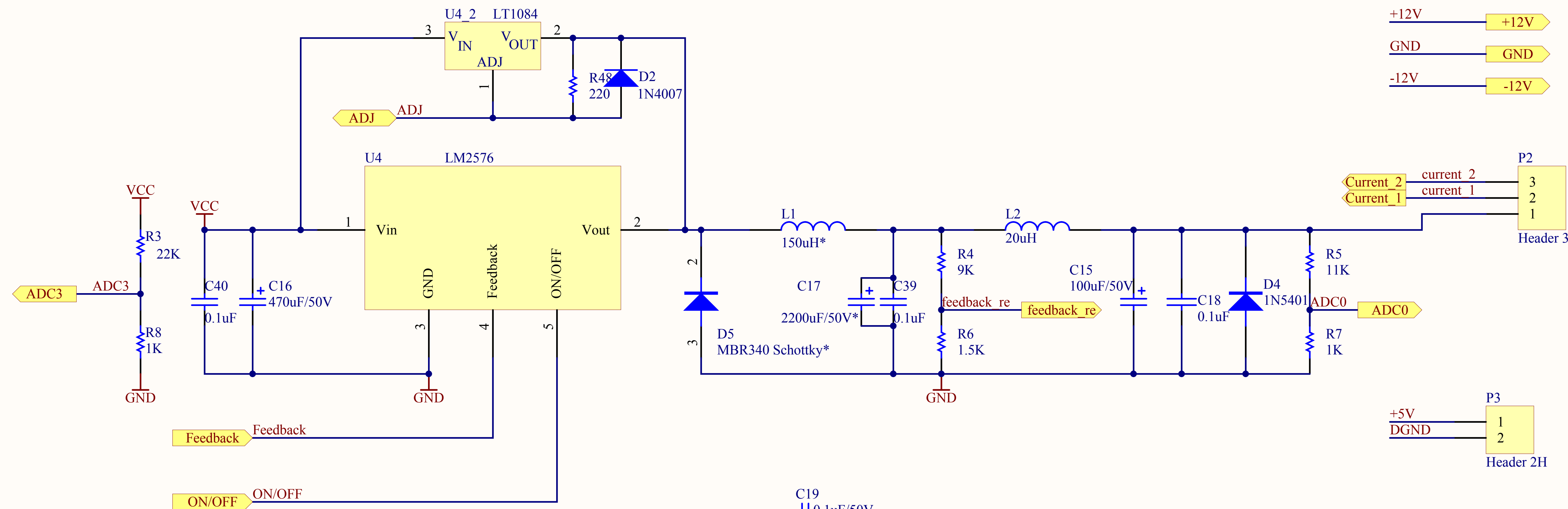
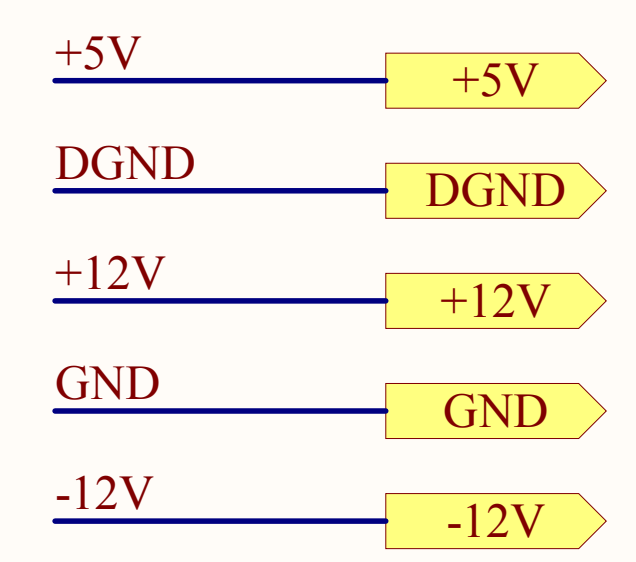
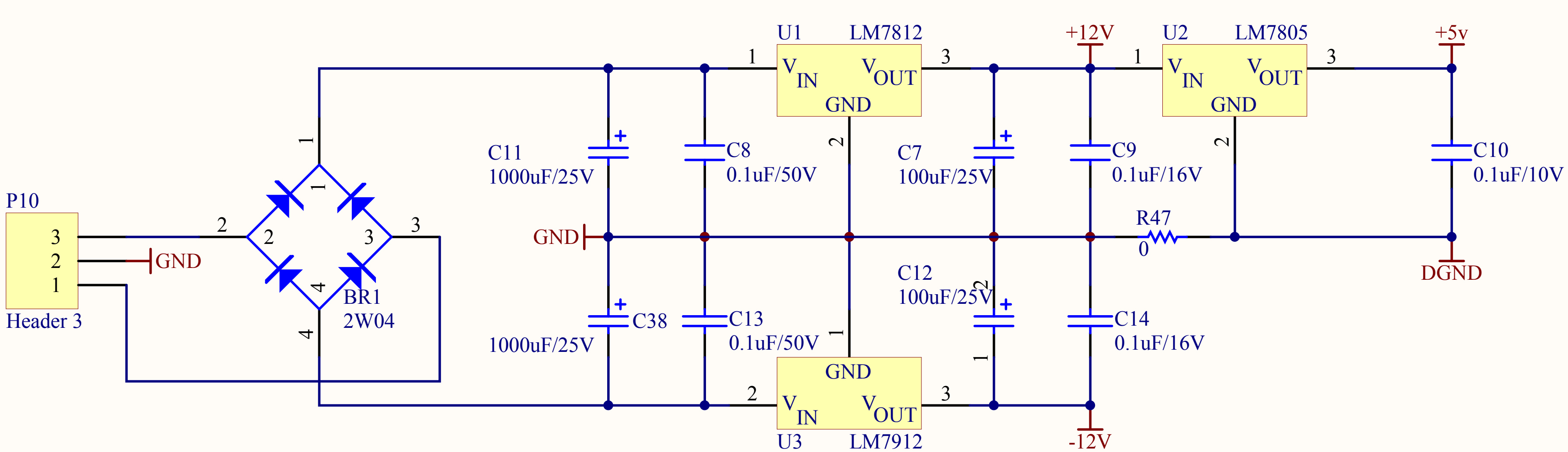
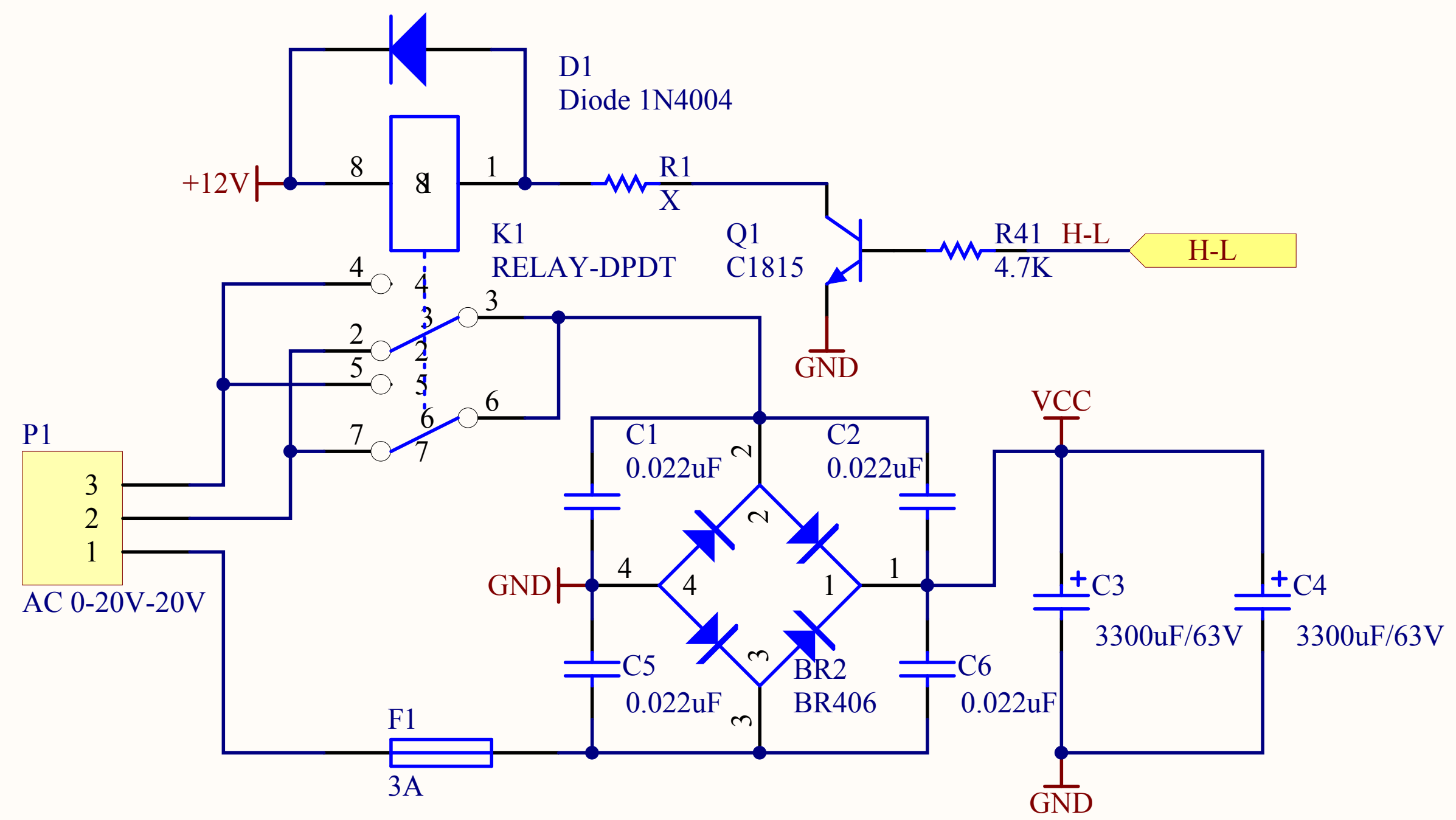
NOTE:
If use jun427 programme, R36 open
else R46 open



Title		
Size	Number	Revision
A4		
Date:	2010/1/6	Sheet of
File:	F:\action\...\MCU.SchDoc	Drawn By:



Title		
Size A4	Number	Revision
Date: 2010/1/6	Sheet of	
File: F:\action\...\ADC.SchDoc	Drawn By:	



Title		
Size	Number	Revision
A4		
Date:	2010/1/6	Sheet of
File:	F:\action\...\Switcher Voltage Regulator.Sch	Drawn By:

