

6 5 4 3 2 1

REVISION RECORD			
LTR	ECO NO:	APPROVED:	DATE:

D

D

C

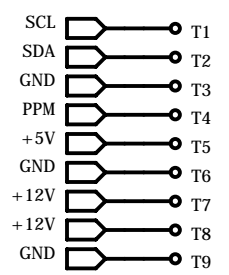
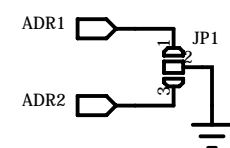
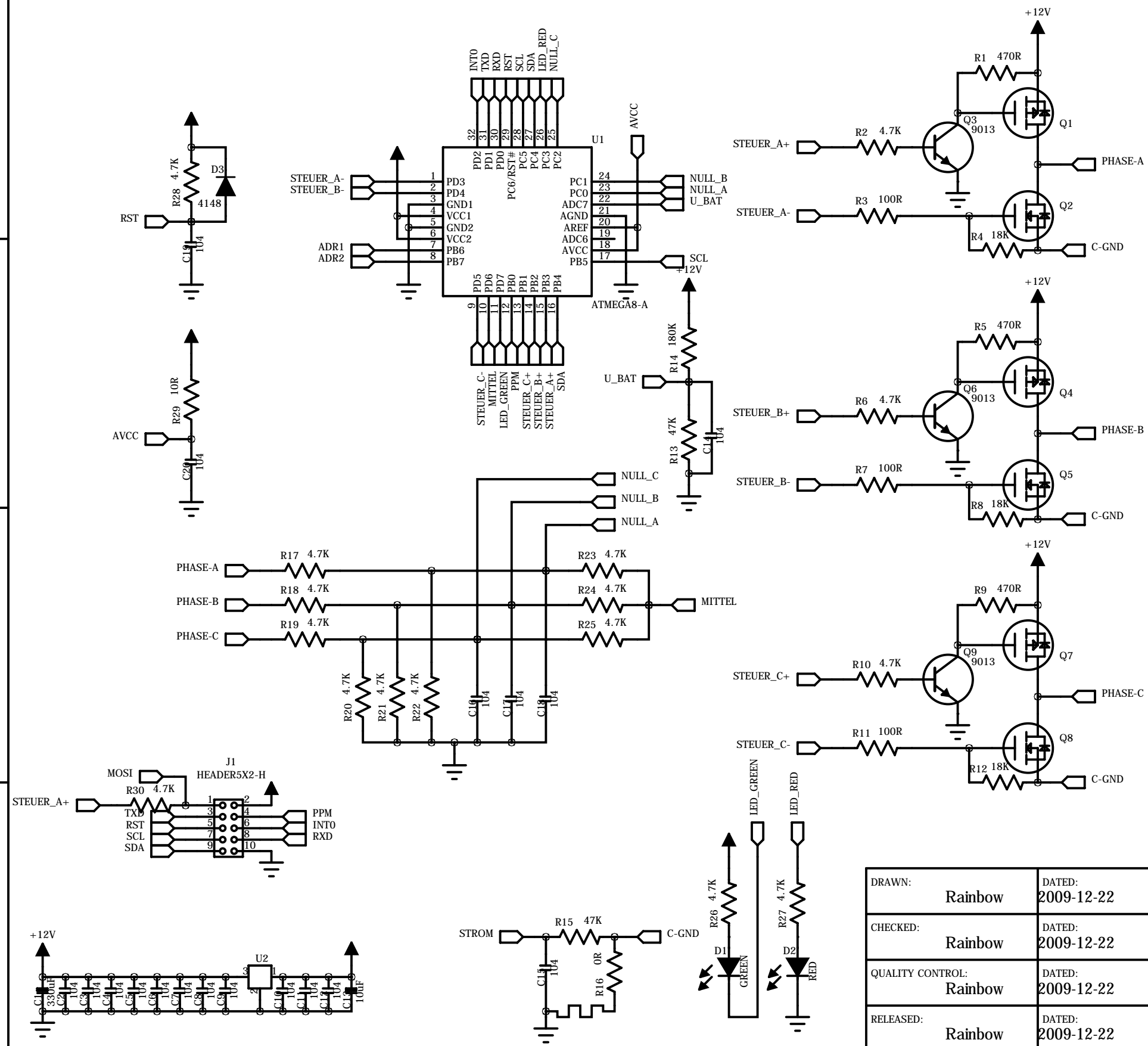
C

B

B

A

A



ADDRESS LABEL		
ADR	1-2	2-3
1	OPEN	OPEN
2	OPEN	CLOSE
3	CLOSE	OPEN
4	CLOSE	CLOSE

COMPANY: CR			
TITLE: BLDC			
DRAWN: Rainbow	DATED: 2009-12-22		
CHECKED: Rainbow	DATED: 2009-12-22		
QUALITY CONTROL: Rainbow	DATED: 2009-12-22	CODE: 1	SIZE: B
RELEASED: Rainbow	DATED: 2009-12-22	DRAWING NO: 1	
SCALE: 1		REV: 1.1	
		SHEET: 1 of 1	