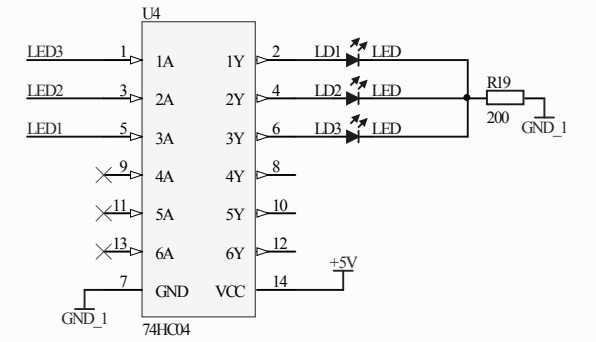
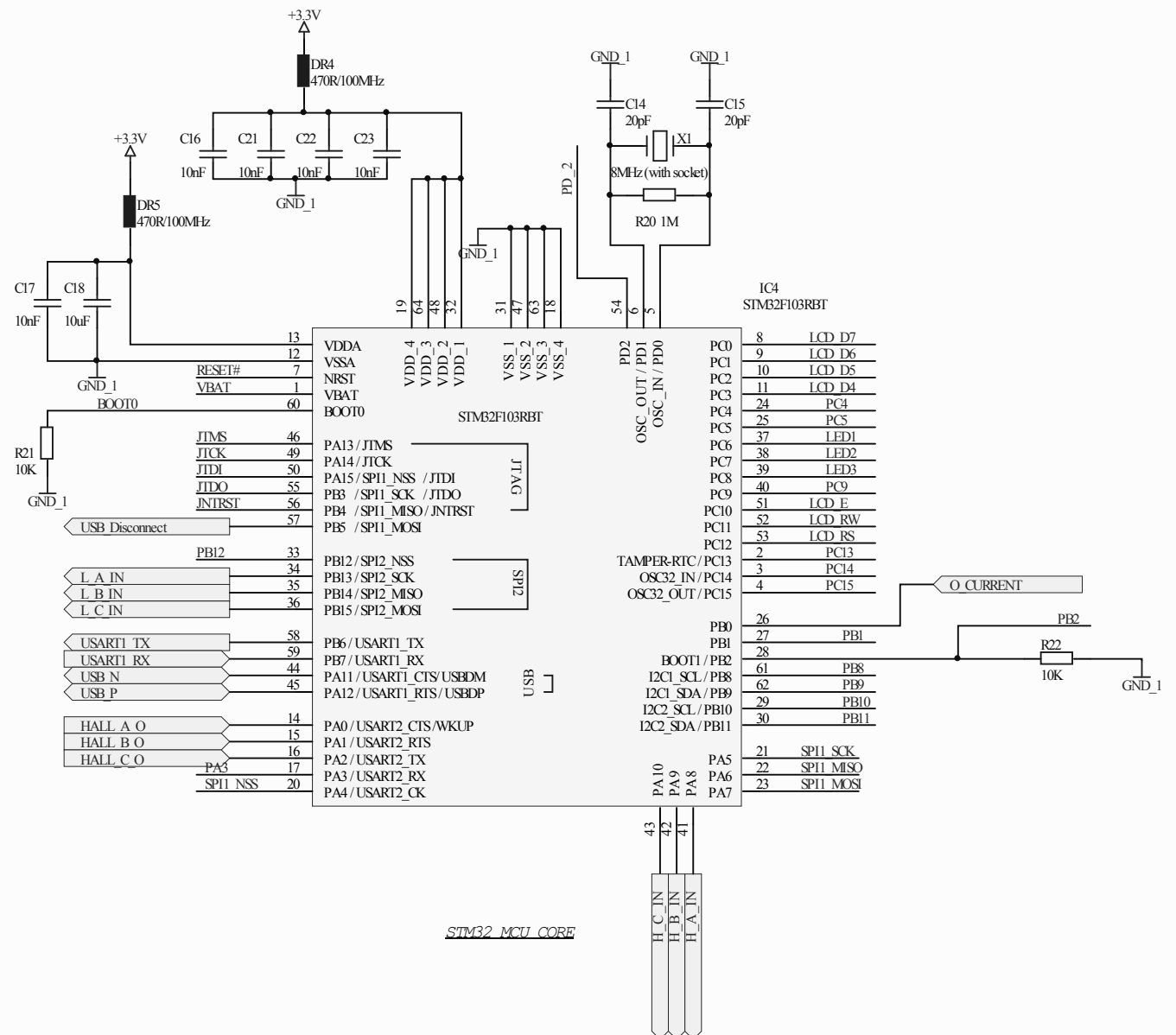
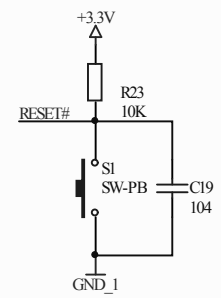


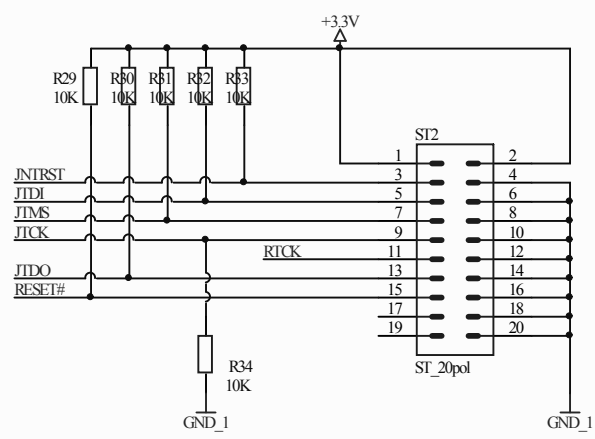
Title			
HV Mill Motor			
Size	Number	Revision	
A4		00	
Date:	2010-1-4	Sheet 1 of	4
File:	E:\layout\HVMill main.SchDoc	Drawn By:	Sean.Su



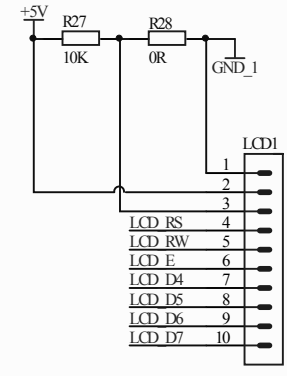
LED light



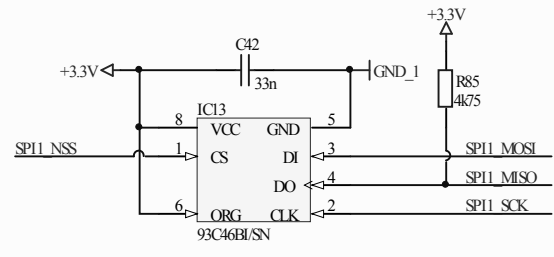
Key Pad



JTAG Connector

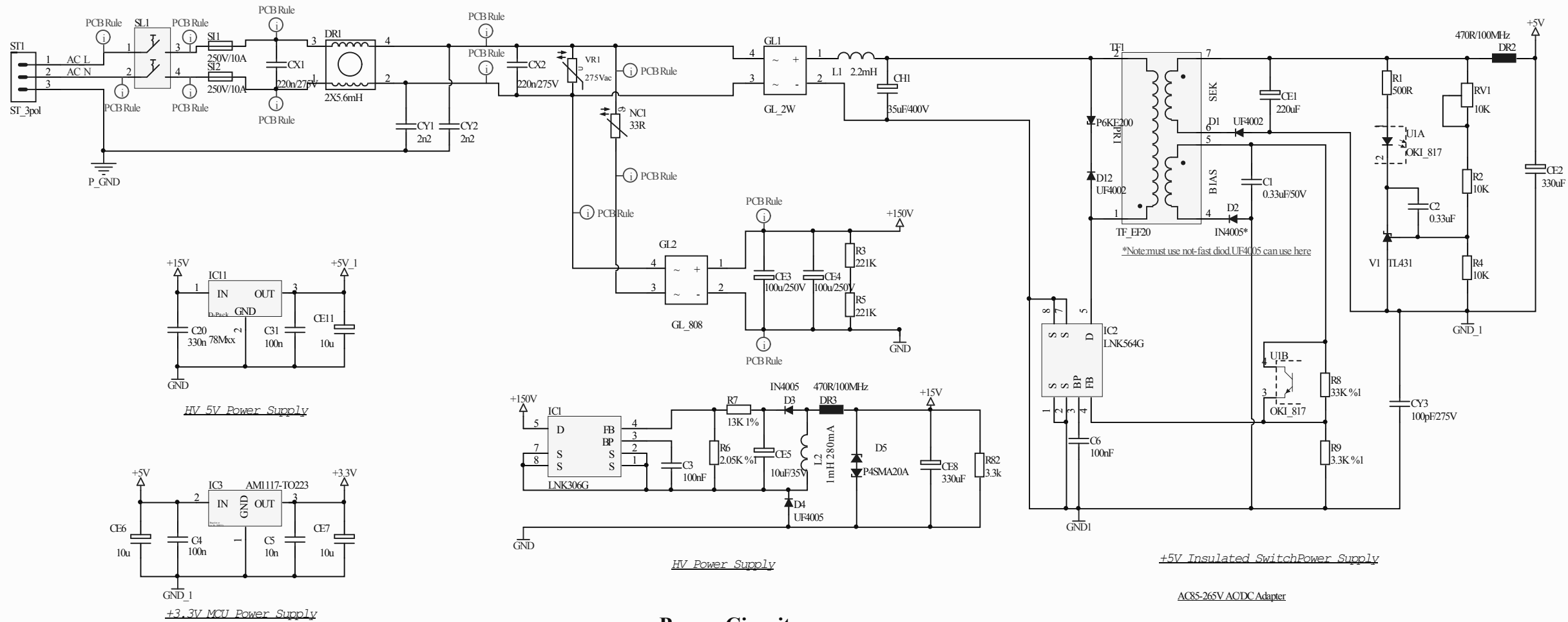


LCD1602 Connector



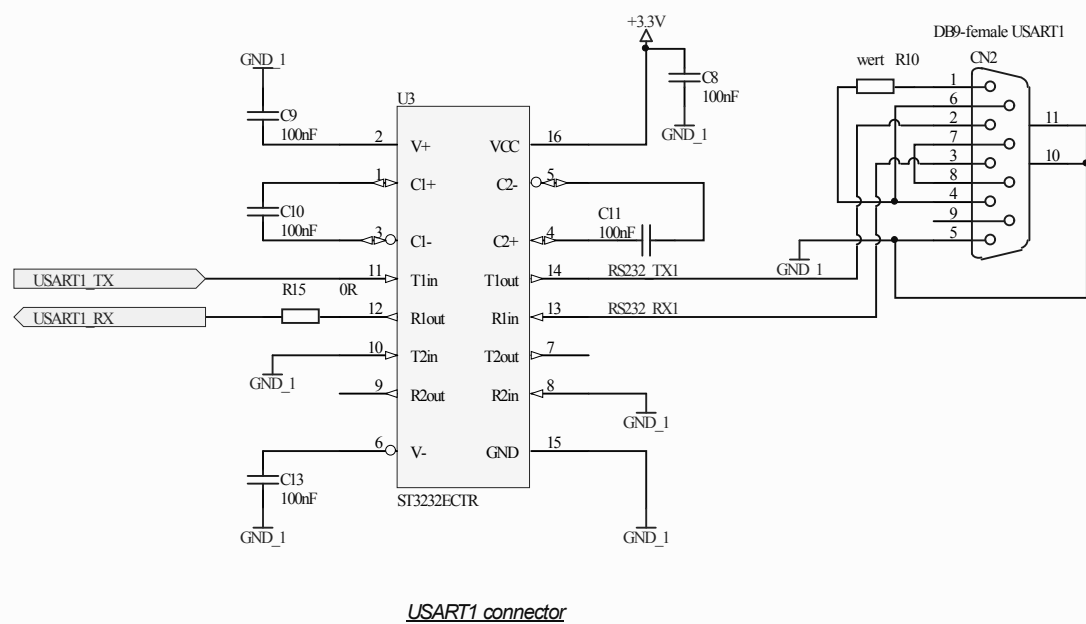
SPI EEPROM

Title				HV Mill Motor			
Size	Number			Revision			00
Date:	2010-1-4			Sheet 2of	4		
File:	E:\layout\HV STM32F103.SchDoc			Drawn By:	Sean Su		

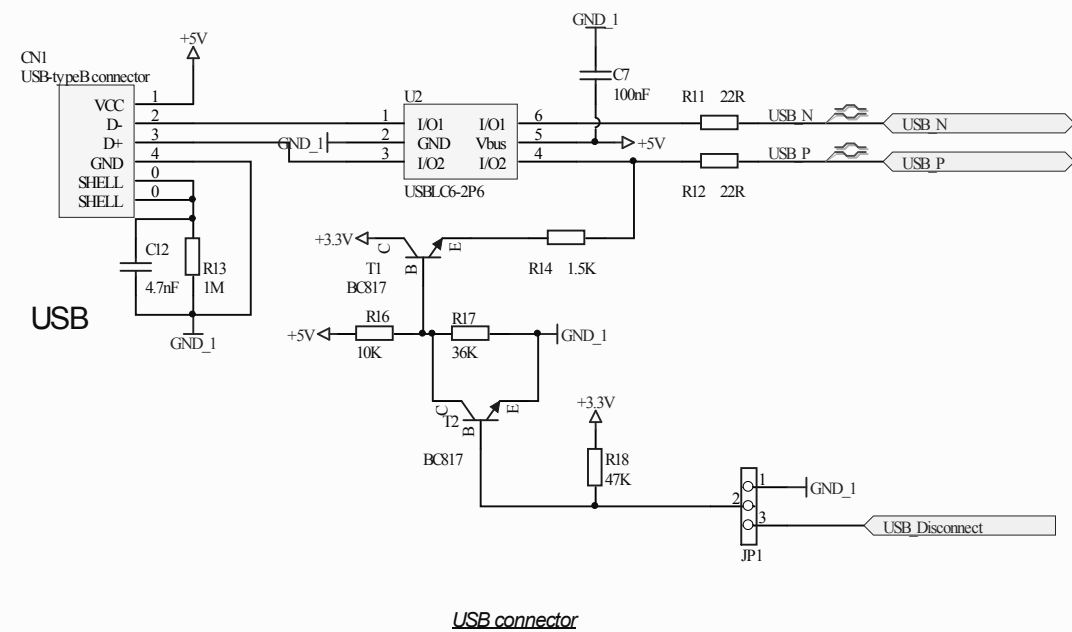


Power Circuit

HV-DC POWER OUT



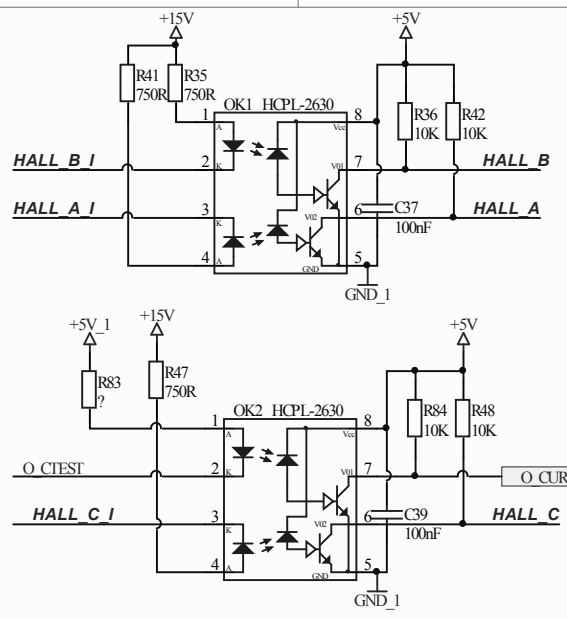
USART1 connector



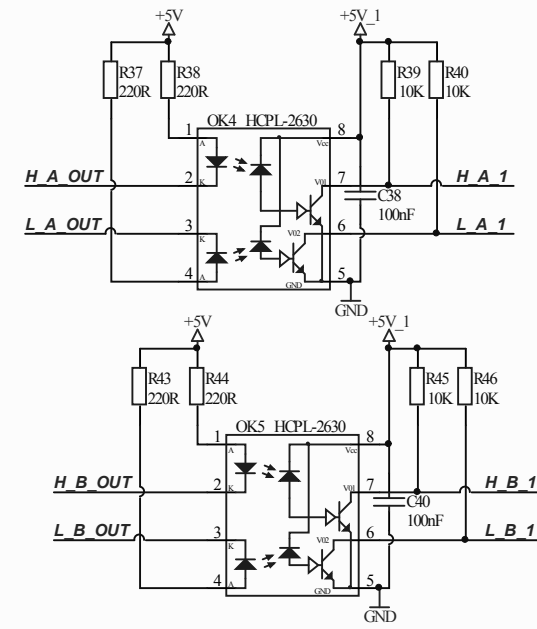
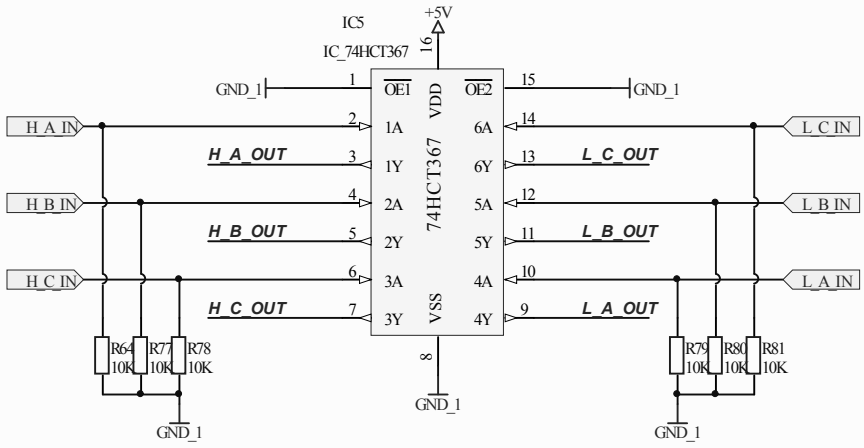
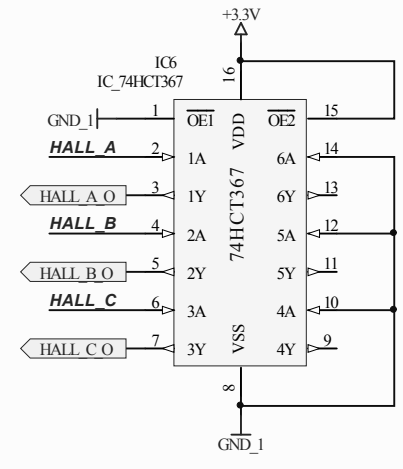
USB connector

Peripheral Interface

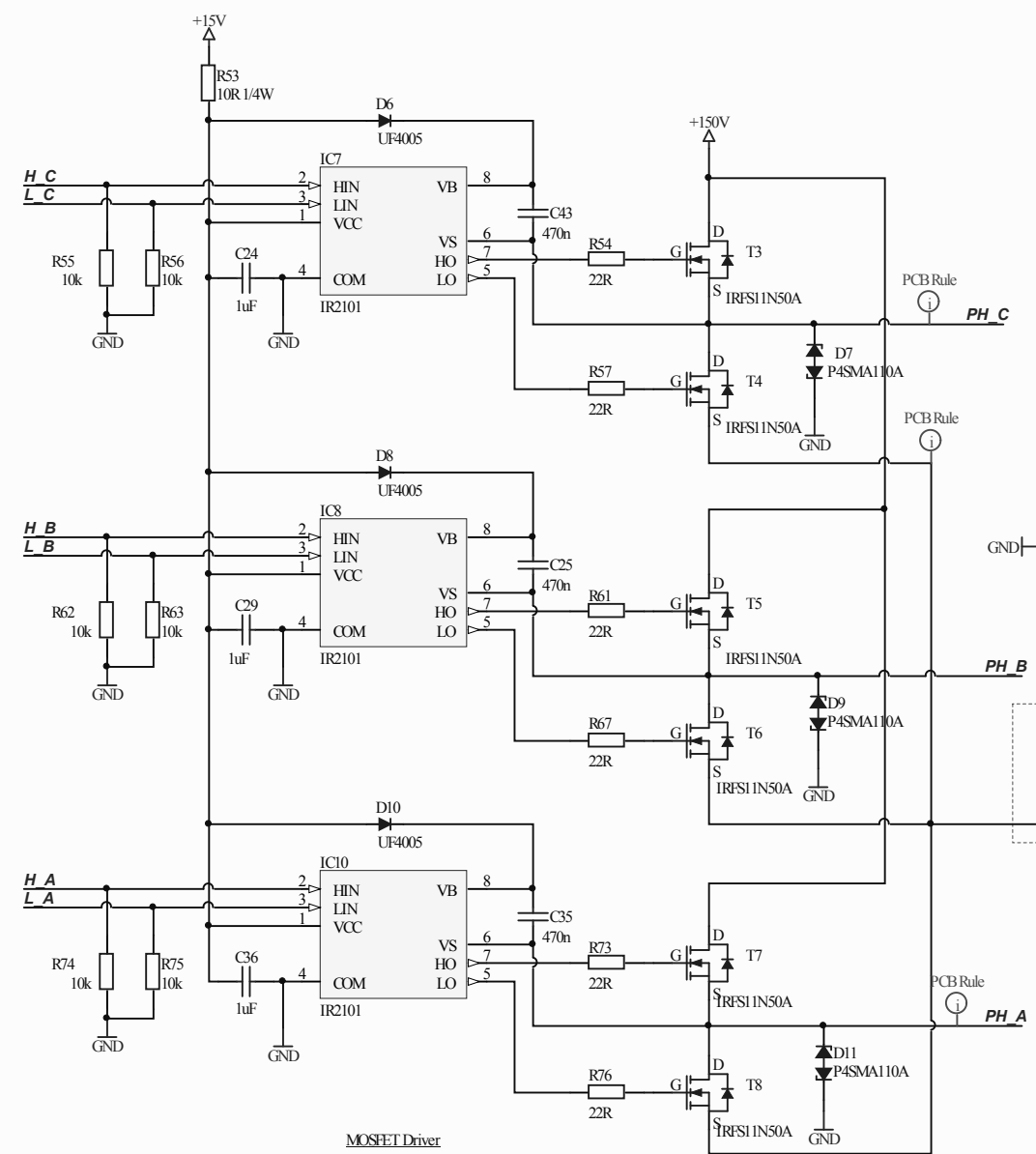
Title				HV Mill Motor			
Size	Number			Revision			
A3				00			
Date:	2010-1-4		Sheet 3of	4			
File:	E:\layout\HV-Powperipheral.SchDoc		Drawn By:	Sean.Su			



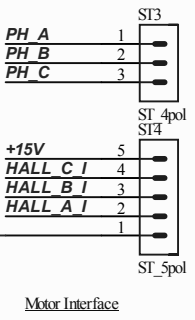
Hall signals insulation input



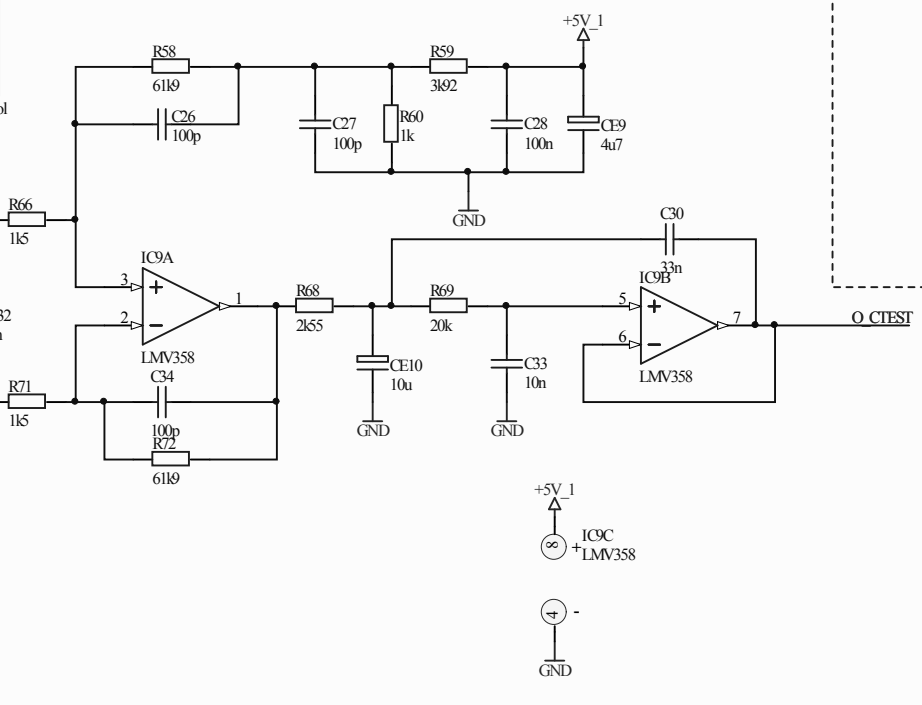
PWM signals insulation input



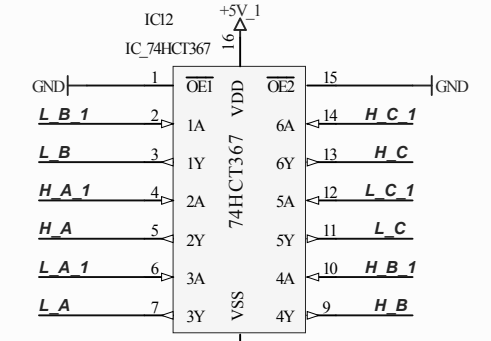
MOSFET Driver



Motor Interface



OverCurrent Detect



Title HV Mill Motor			
Size A3	Number	Revision 00	
Date: 2010-1-4	Sheet 4of 4	Drawn By: Sean Su	
File: E:\layout\HV-Mill drive\SchDoc			