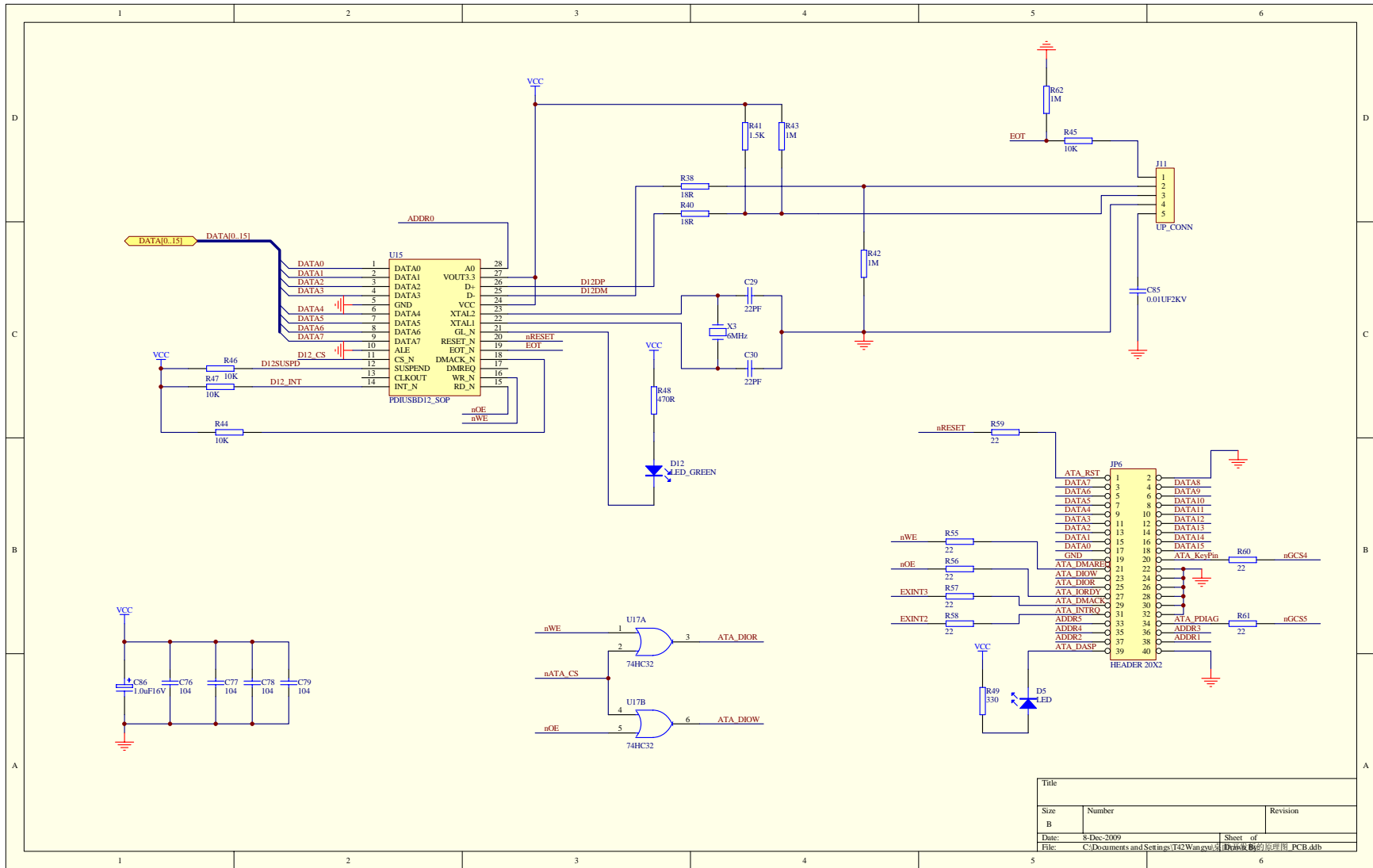
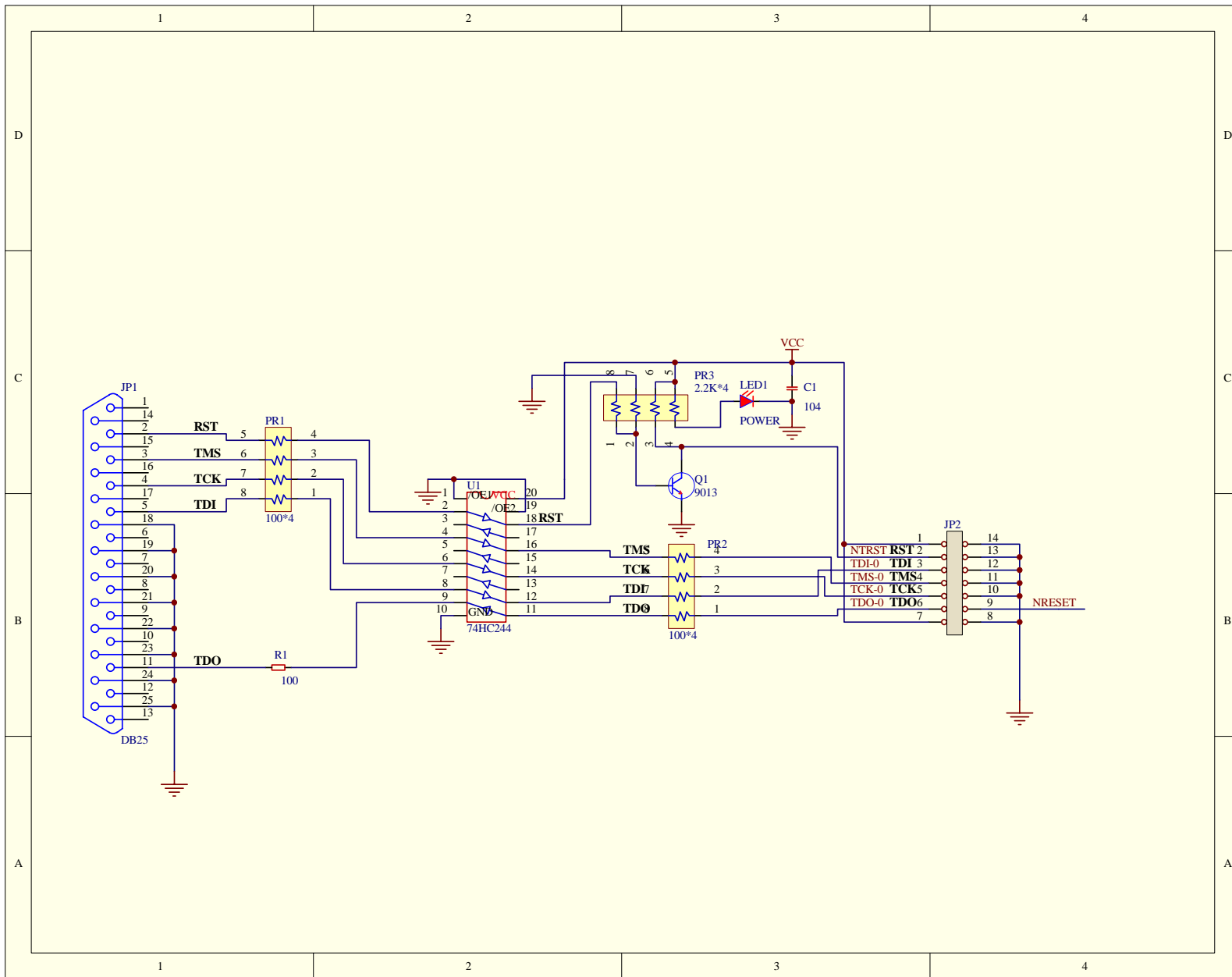
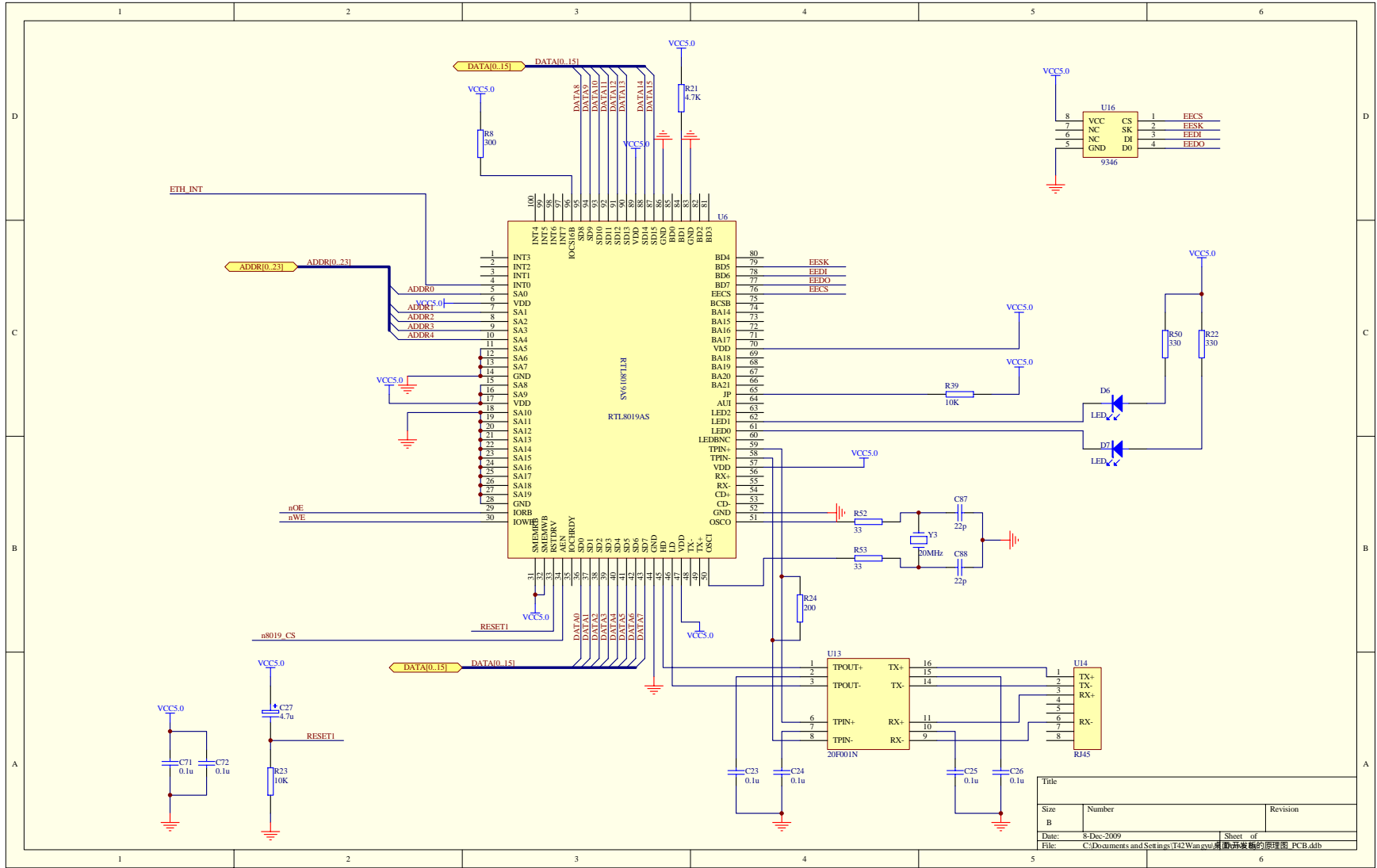


| | | |
|-------|--|----------|
| Title | | |
| Size | Number | Revision |
| B | | |
| Date: | 8-Dec-2009 | Sheet of |
| File: | C:\Documents and Settings\T42Wangyu\桌面\电路板的原理图_PCB.dtb | |

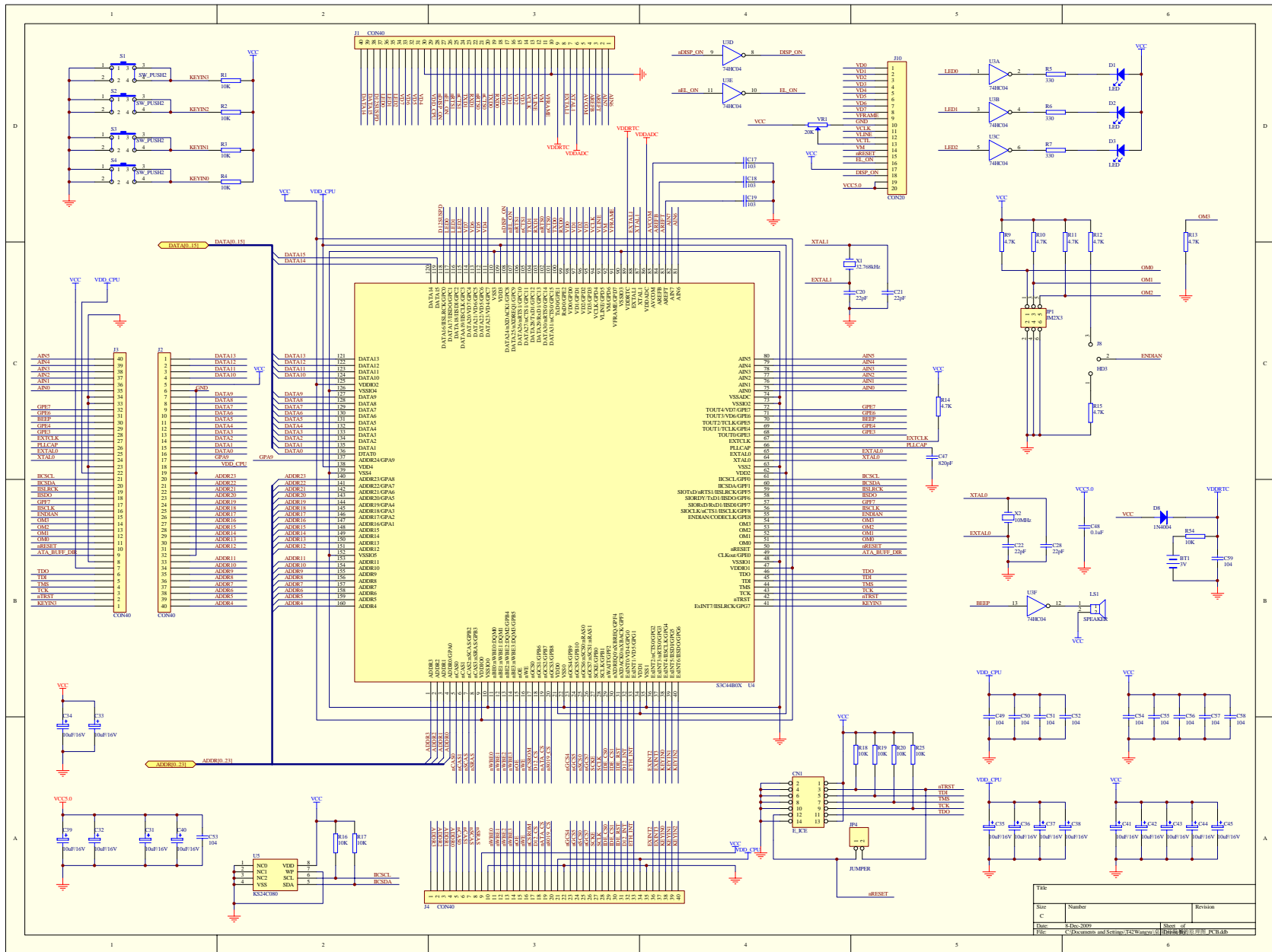


| Title | | |
|-------|--|----------|
| Size | Number | Revision |
| B | | |
| Date: | 8-Dec-2009 | Sheet of |
| File: | C:\Documents and Settings\T42Wang\My Documents\BrakBrak B的层原理图_PCB.dtb | |

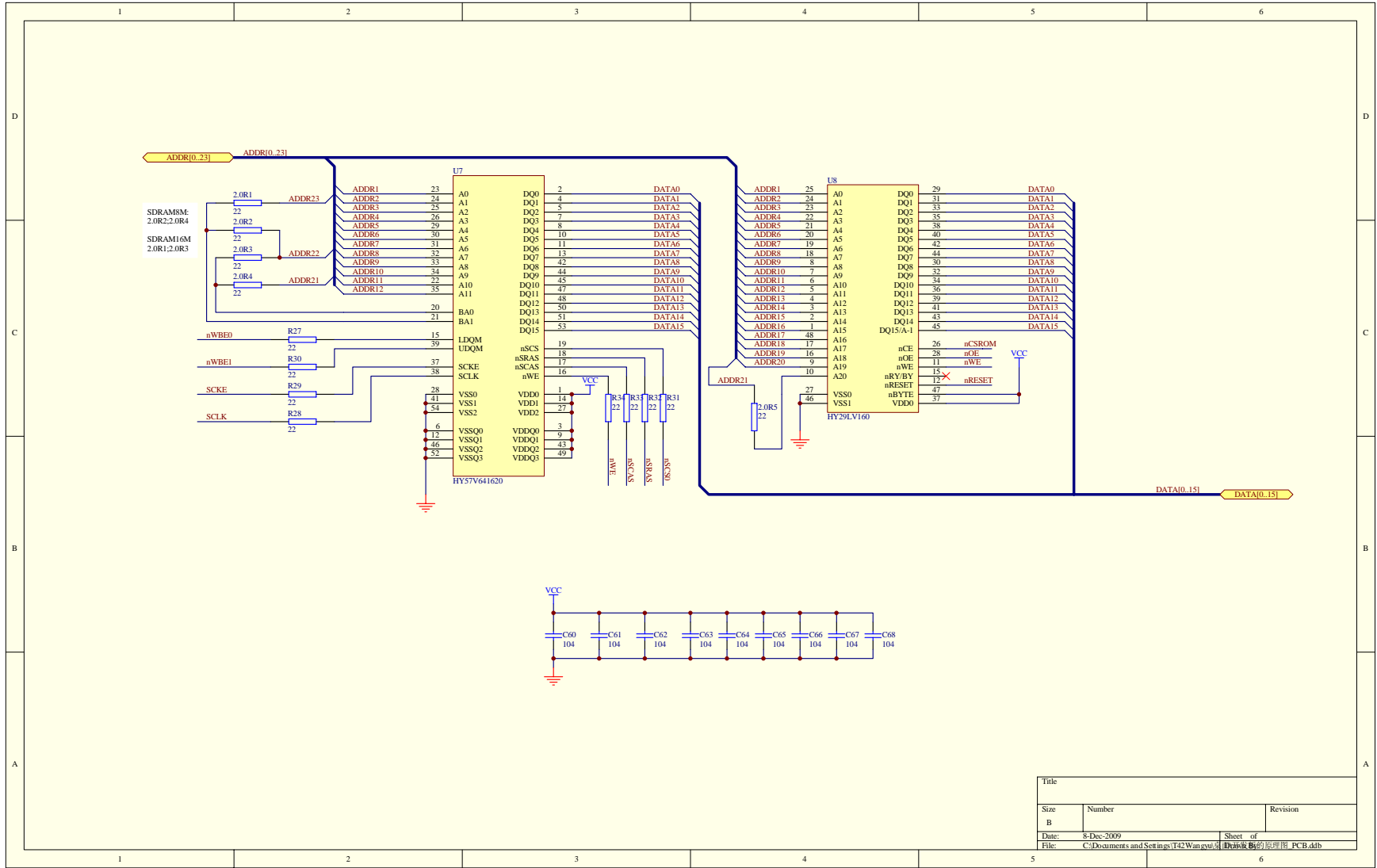




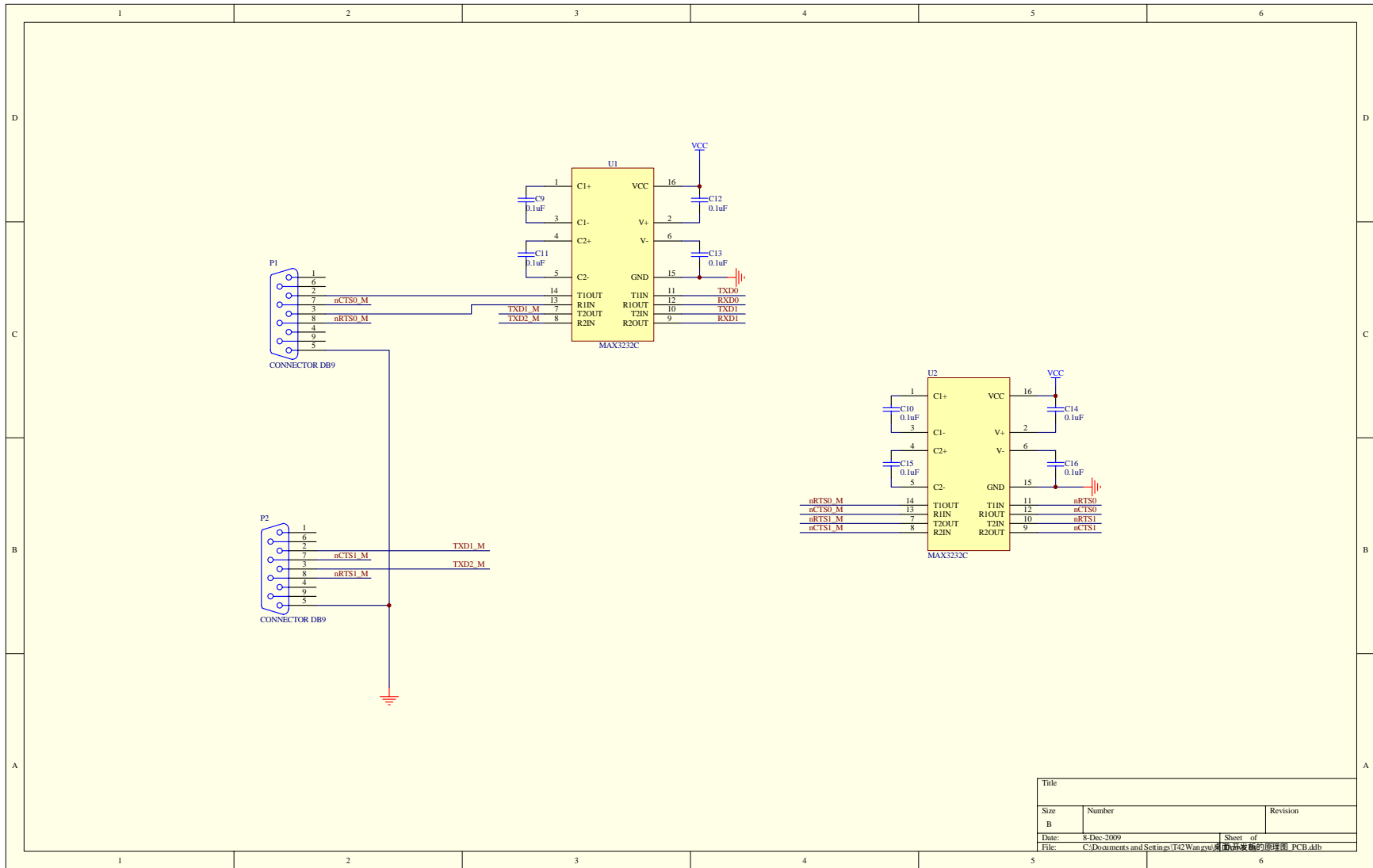
| | | |
|-------|--|----------|
| Title | | |
| Size | Number | Revision |
| B | | |
| Date: | 8-Dec-2009 | Sheet of |
| File: | C:\Documents and Settings\T42Wang\My Documents\PCB\原理图_PCB.dtb | |



| Title | | |
|-------|---|----------|
| Size | Number | Revision |
| C | | |
| Date | 3-Dec-2009 | Sheet of |
| File | C:\Documents and Settings\T42\My Documents\B010310B_PCB.dwg | 1 |



| Title | | |
|-------|---|----------|
| Size | Number | Revision |
| B | | |
| Date: | 8-Dec-2009 | Sheet of |
| File: | C:\Documents and Settings\T42Wang\My Documents\Trakker Bg的层压图_PCB.dtb | |



| | | |
|-------|--|----------|
| Title | | |
| Size | Number | Revision |
| B | | |
| Date: | 8-Dec-2009 | Sheet of |
| File: | C:\Documents and Settings\T42Wangyu\桌面\PCB设计的原理图_PCB.dtb | |