

Schematic1

TITLE			
SIZE	DWG NO	REV	
C		0	
SCALE	SHEET	of	1
			10-1-2003_18:35

DRAWN BY
<YOUR NAME HERE>

D

D

C

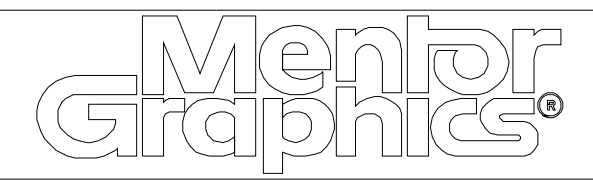
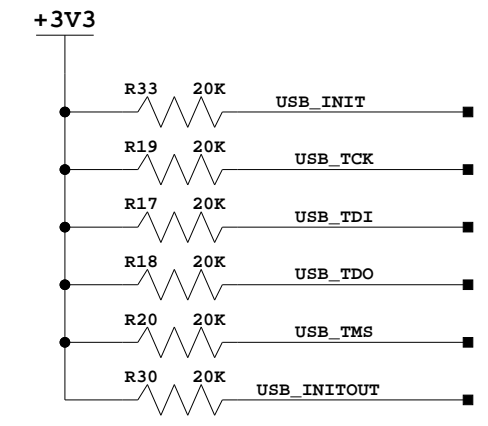
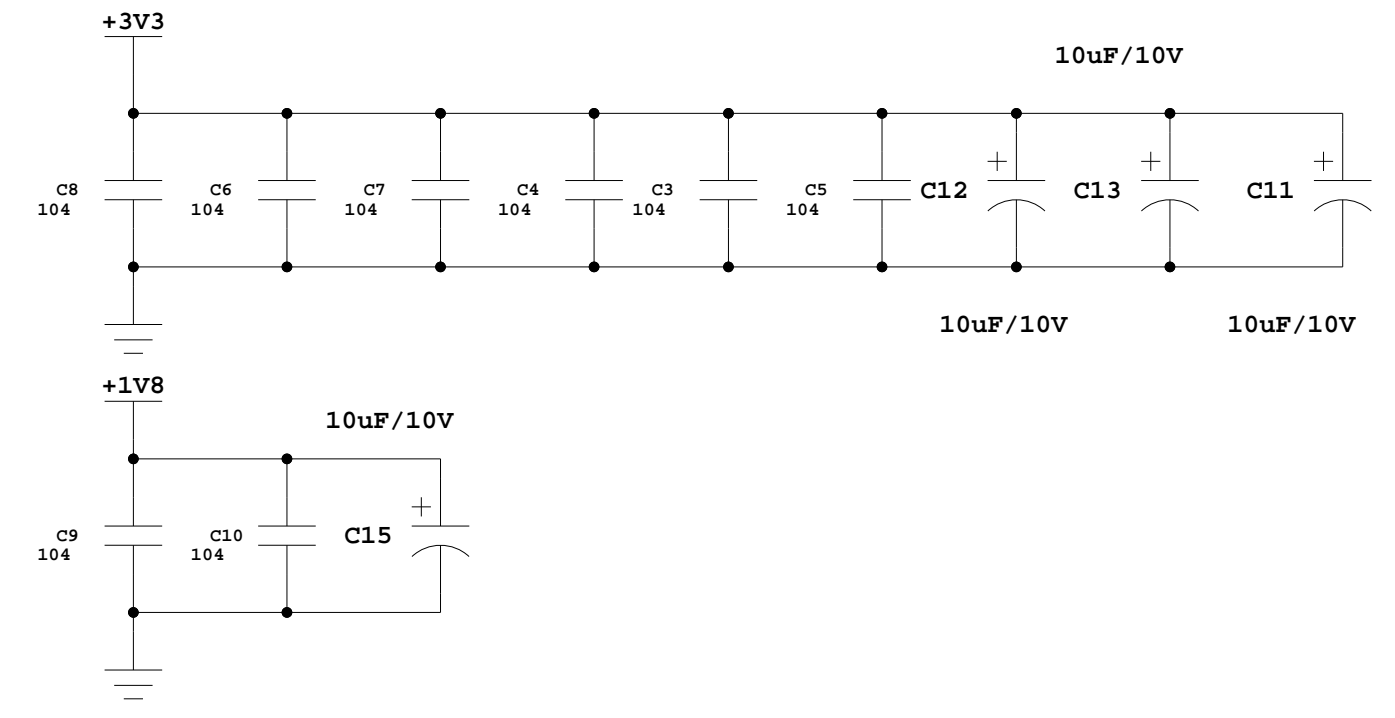
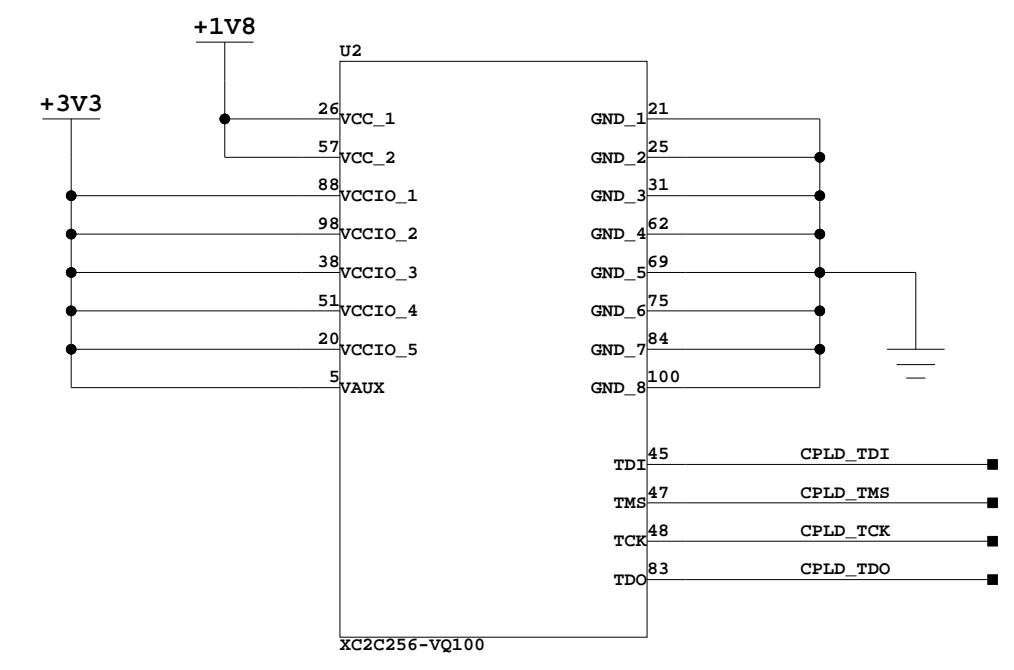
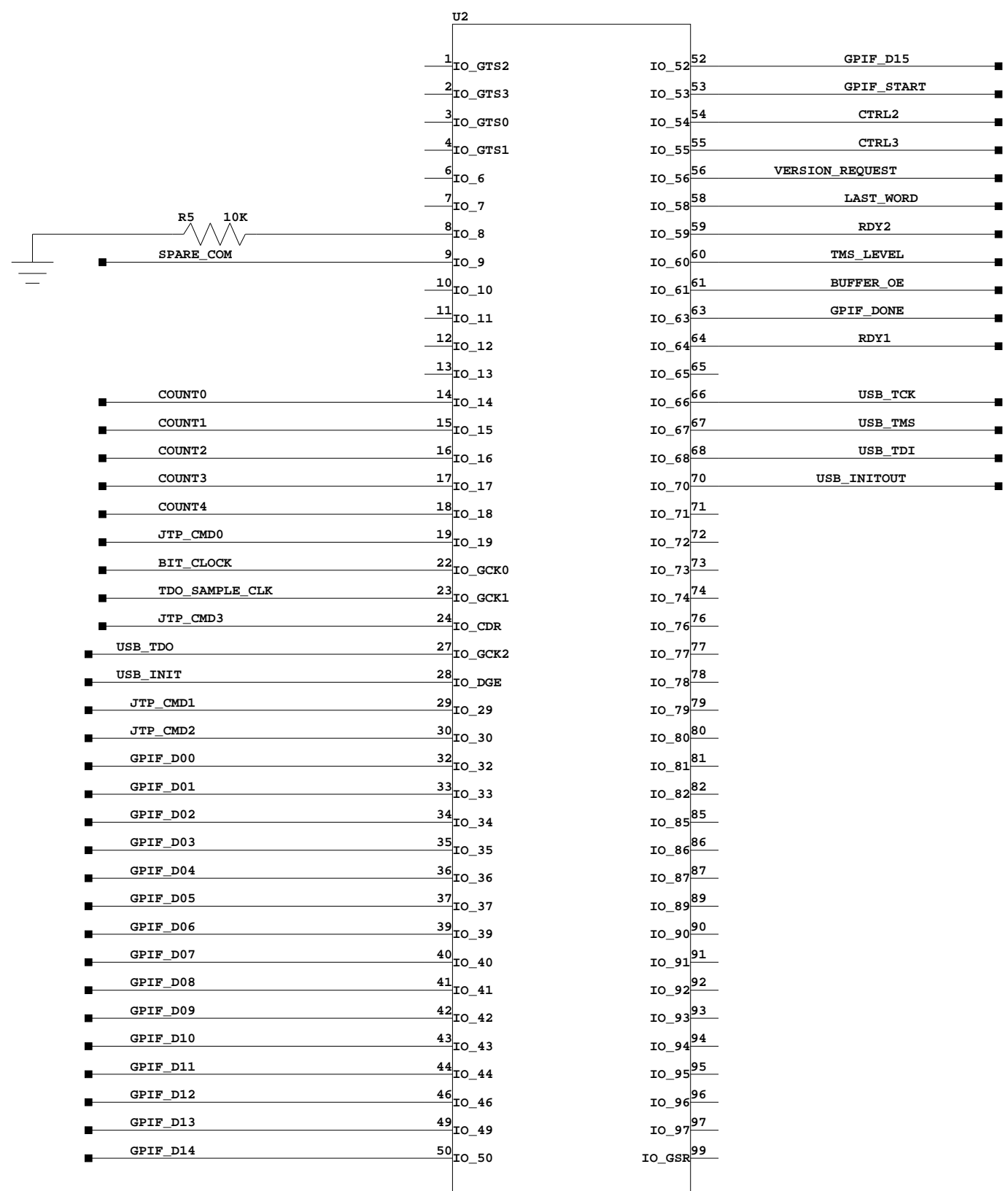
C

B

B

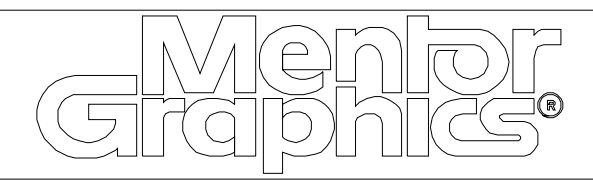
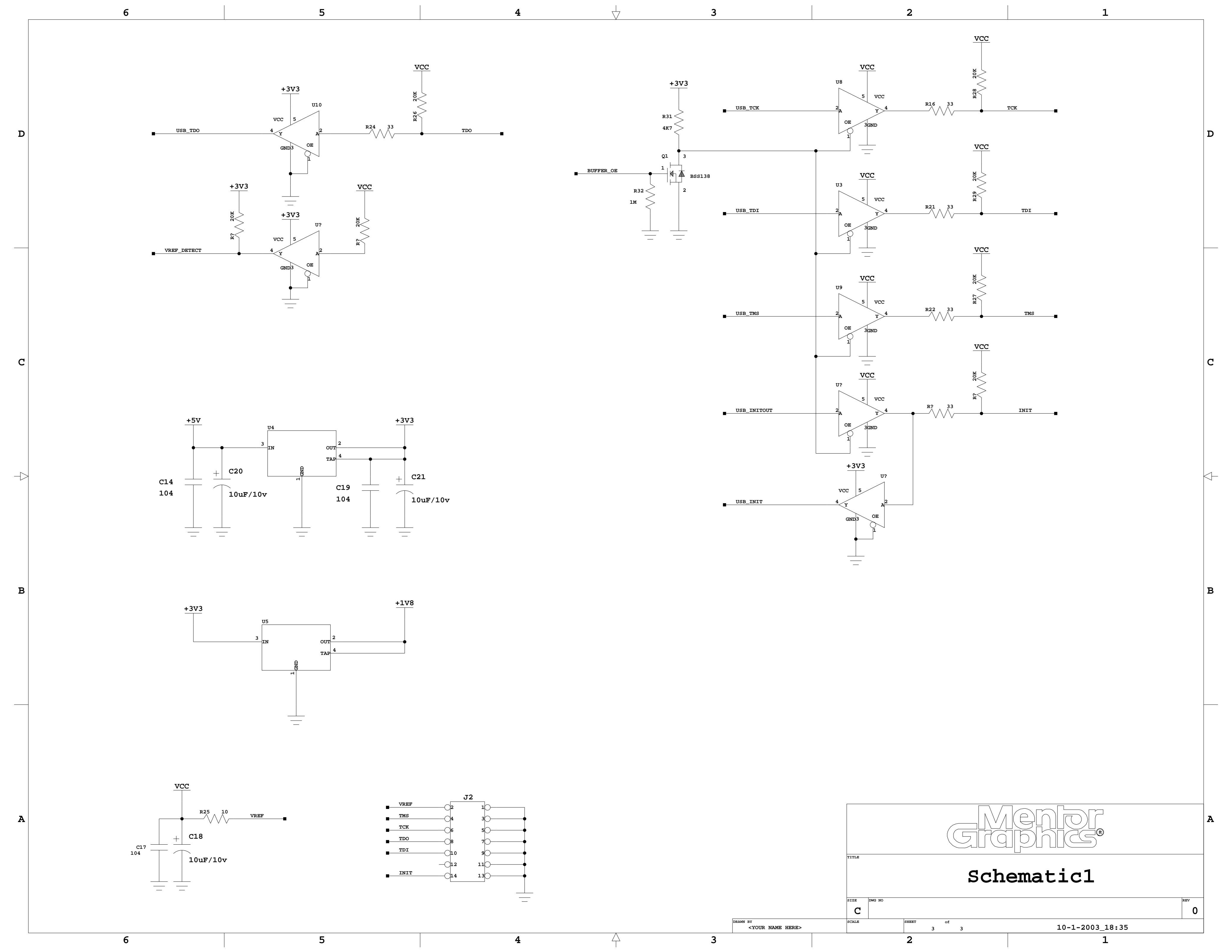
A

A



Schematic1

SIZE	DWG NO	SHEET	of	REV
C		2	2	0



Schematic1

TITLE			
SIZE		DWG NO	
C			
SCALE		SHEET 3 of 3	
DRAWN BY		10-1-2003_18:35	
<YOUR NAME HERE>		REV 0	