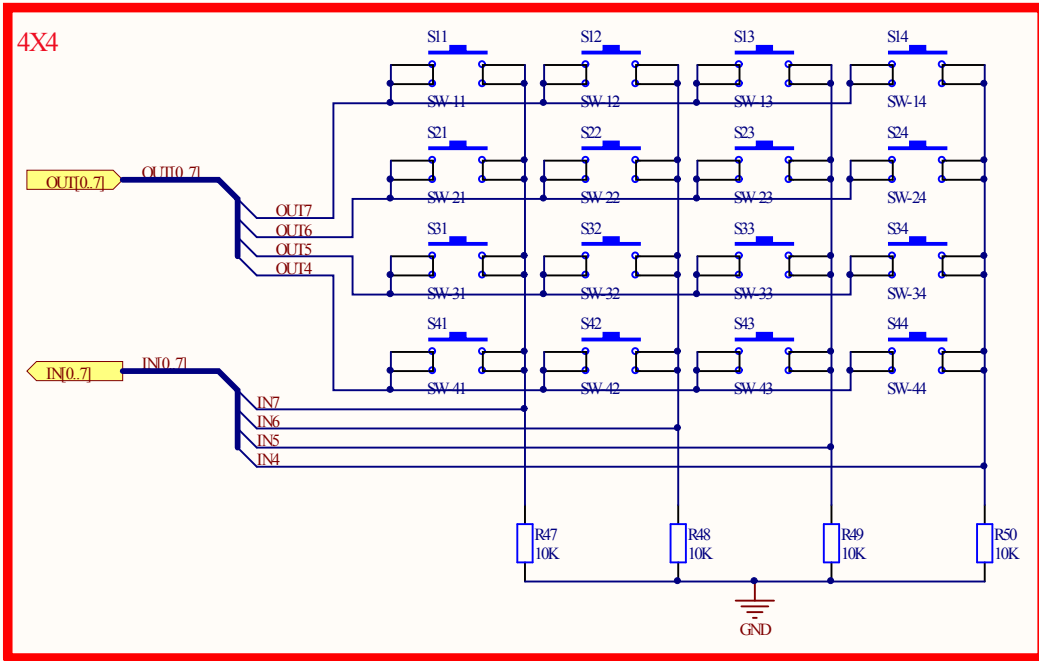
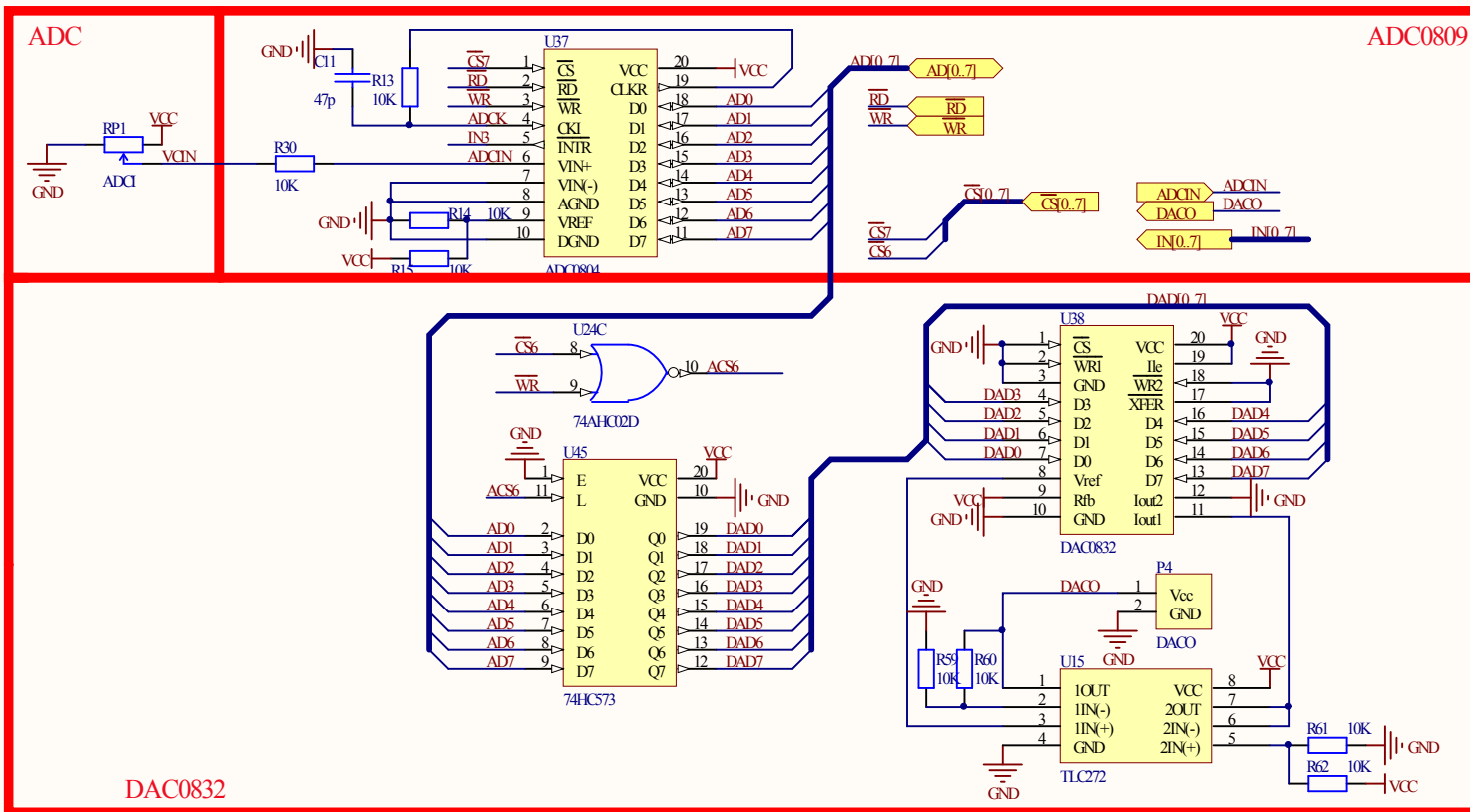


CpoyRight@

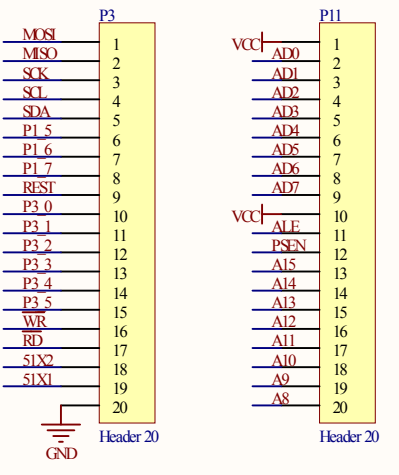
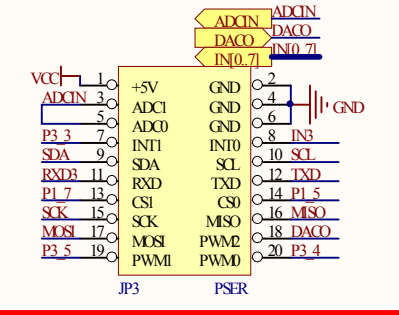
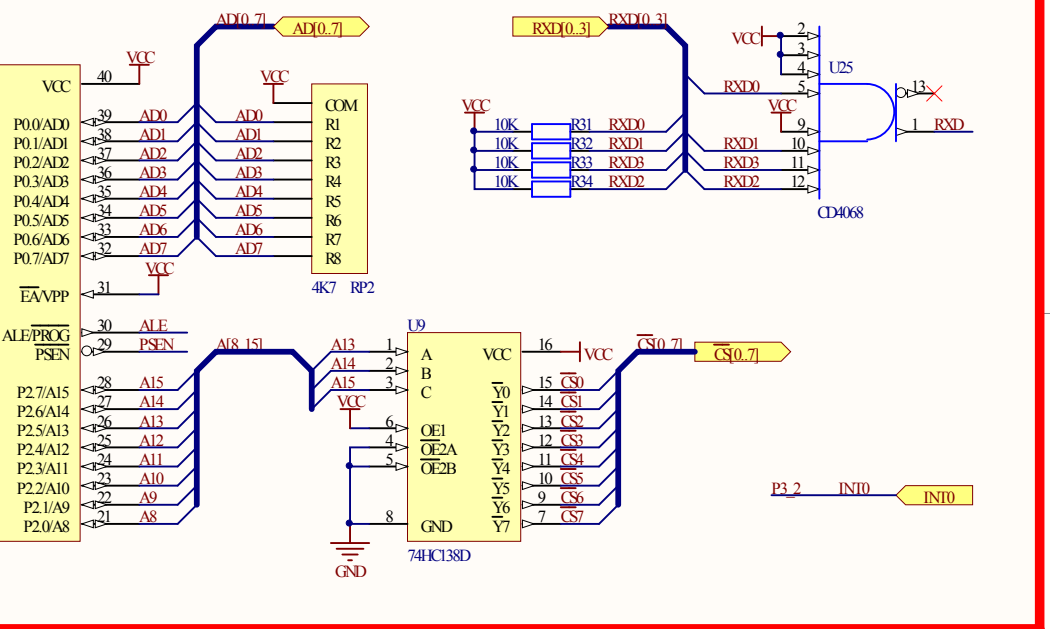
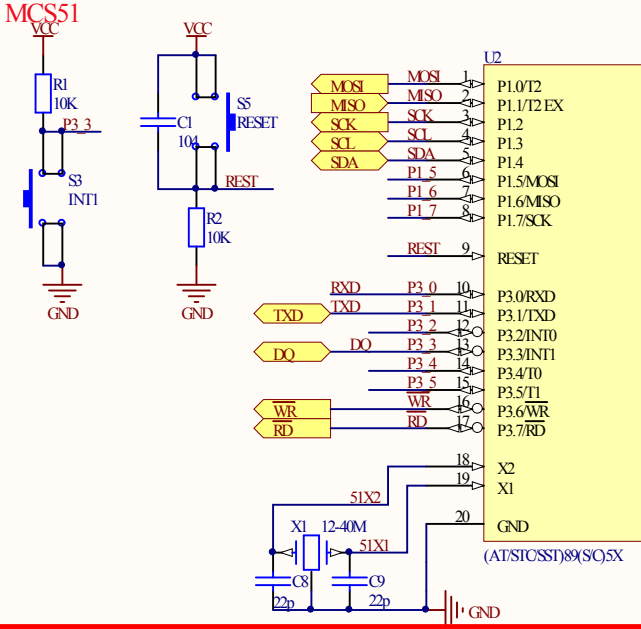
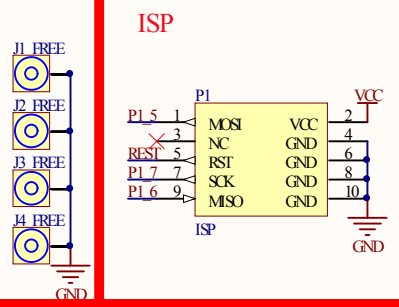
www.LT430.com



Title		CpoyRight@		www.LT430.com	
Size	Number	Revision		VER1.0	
A4					
Date:	2009-10-15	Sheet of			
File:	E:\...4x4key.SchDoc	Drawn By:			

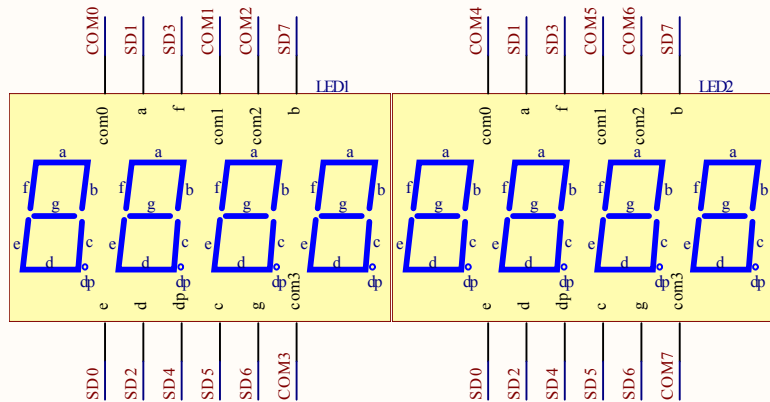
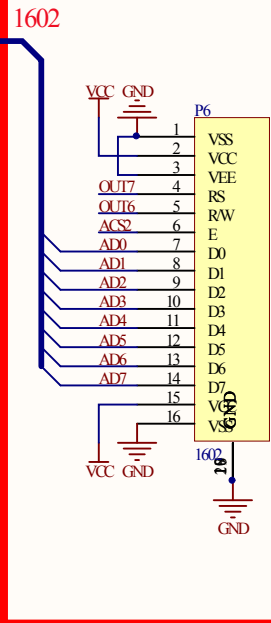
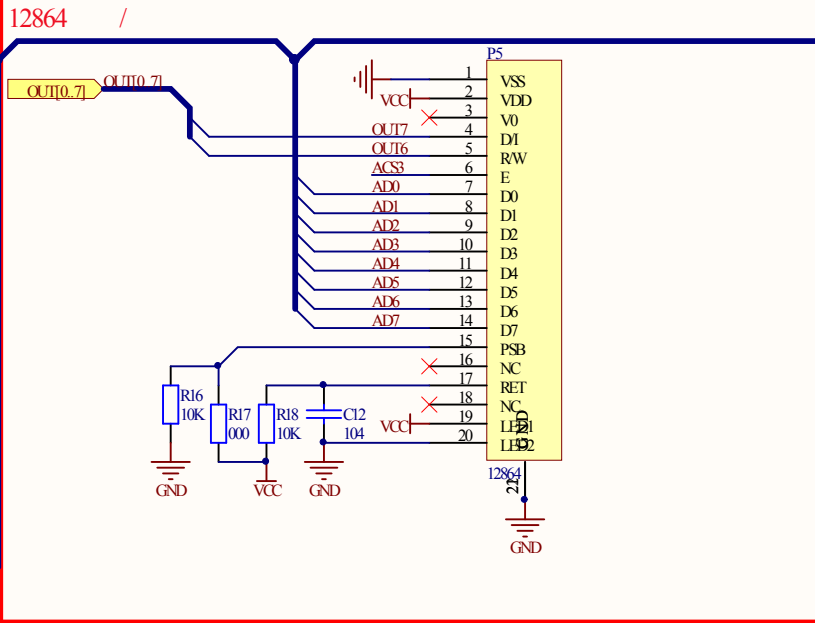
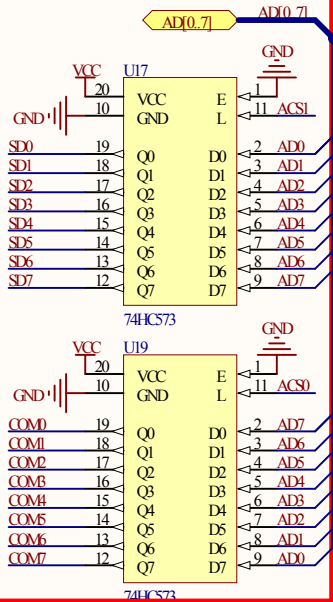
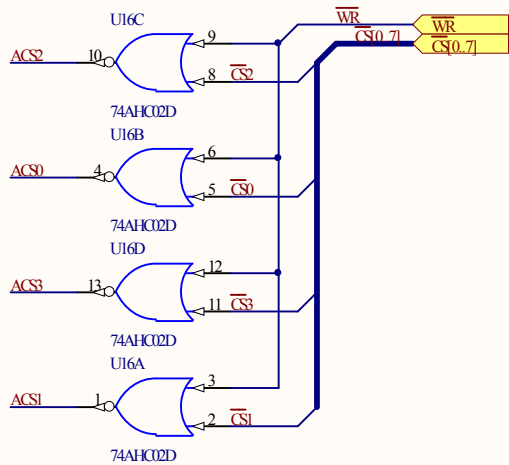


Title		CpoyRight@		www.LT430.com	
Size	A4	Number		Revision	VER1.0
Date:	2009-10-15	Sheet of		Drawn By:	
File:	E:\	File:	ADC-DACSchDoc		



CpoyRight@ www.LT430.com

Title		<i>CpoyRight@</i> www.LT430.com	
Size	Number	Revision	VER 1.0
A4			
Date:	2009-10-15	Sheet of	
File:	E:\Core.SchDoc	Drawn By:	



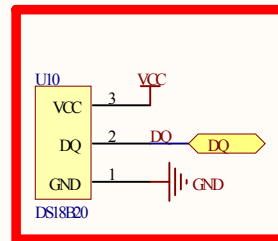
CpoyRight@

www.LT430.com

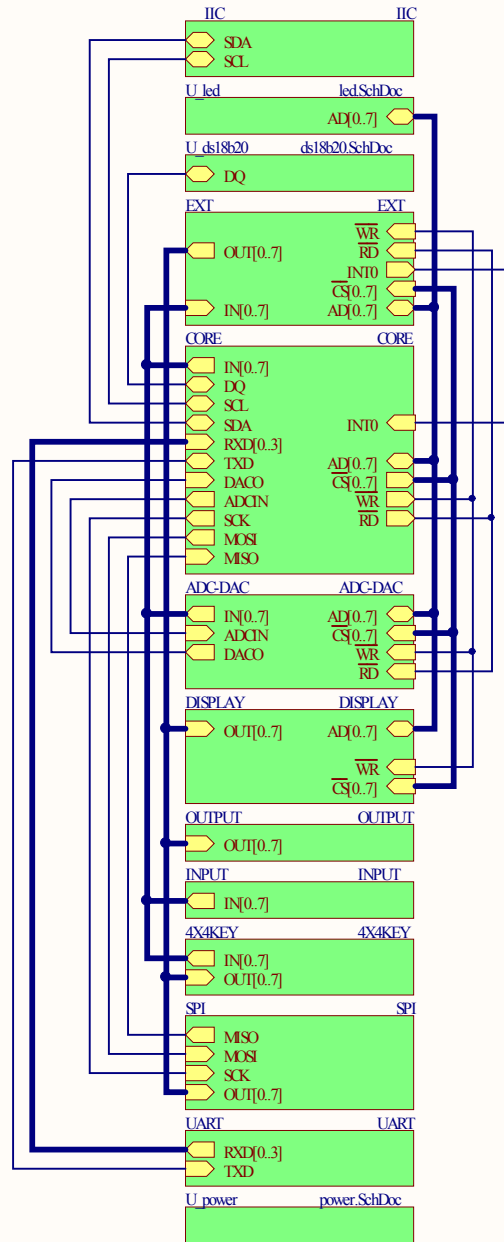
Title		www.LT430.com	
Size	Number	Revision VER1.0	
A4			
Date:	2009-10-15	Sheet of	
File:	E:\Display.SchDoc	Drawn By:	

CpoyRight@

www.LT430.com

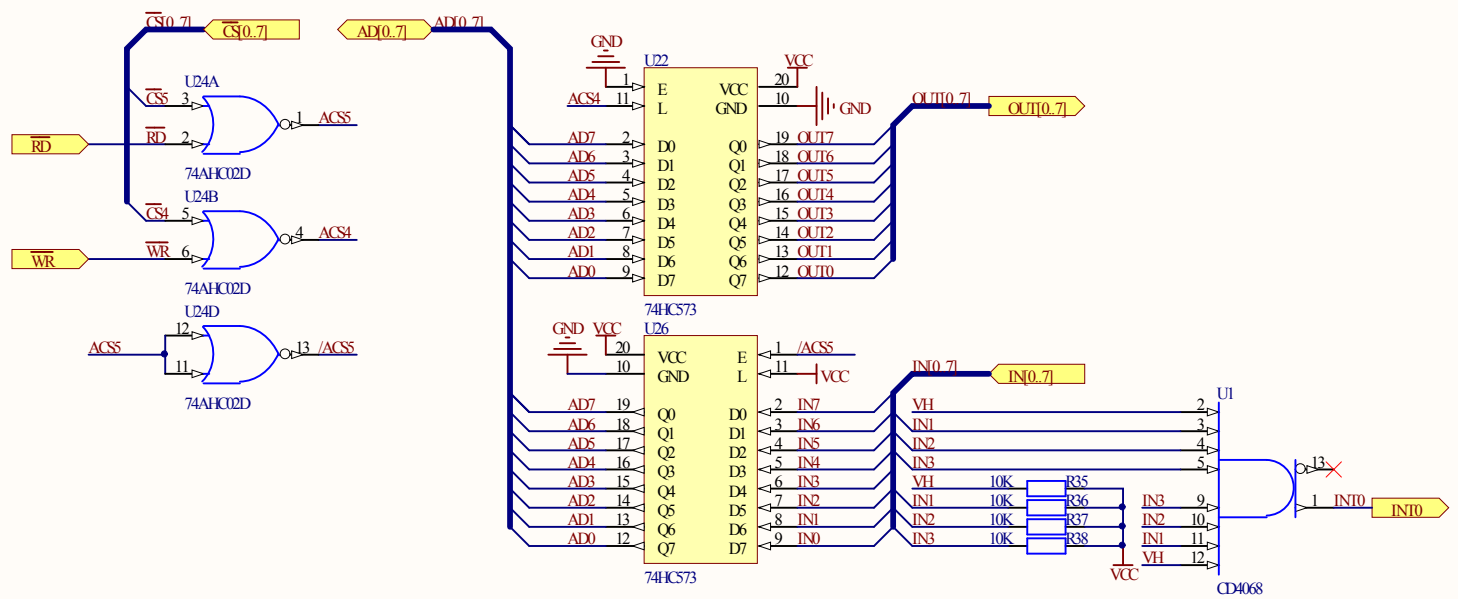


Title		
<i>CpoyRight@</i>		<i>www.LT430.com</i>
Size A4	Number	Revision <i>VER1.0</i>
Date:	2009-10-15	Sheet of
File:	E:\ _DS18B20.SchDoc	Drawn By:



Title		
Size A4	Number	Revision
Date:	2009-10-15	Sheet of
File:	E:\Easy51.SchDoc	Drawn By:

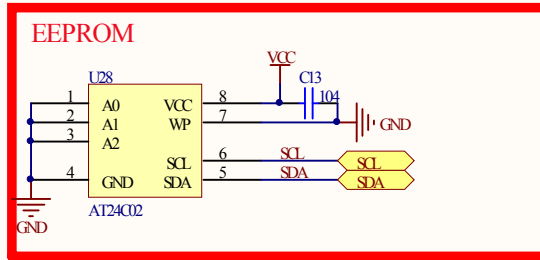
CpoyRight@ www.LT430.com



Title		CpoyRight@		www.LT430.com	
Size	A4	Number		Revision	VER1.0
Date:	2009-10-15	Sheet of			
File:	E:\	\Ext.Sch.Doc		Drawn By:	

CpoyRight@

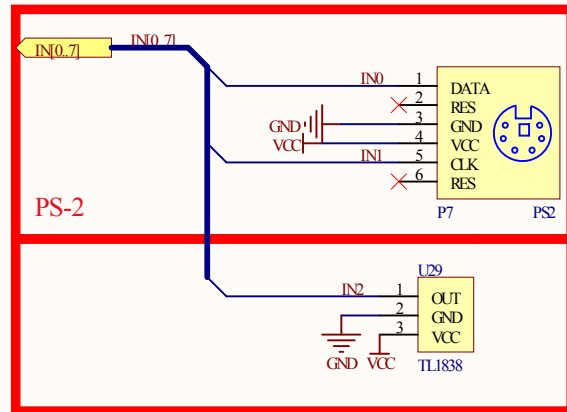
www.LT430.com



Title		<i>CpoyRight@</i>		<i>www.LT430.com</i>	
Size	Number	Revision		<i>VER1.0</i>	
A4					
Date:	2009-10-15	Sheet of			
File:	E:\	\JIC\SchDoc		Drawn By:	

CpoyRight@

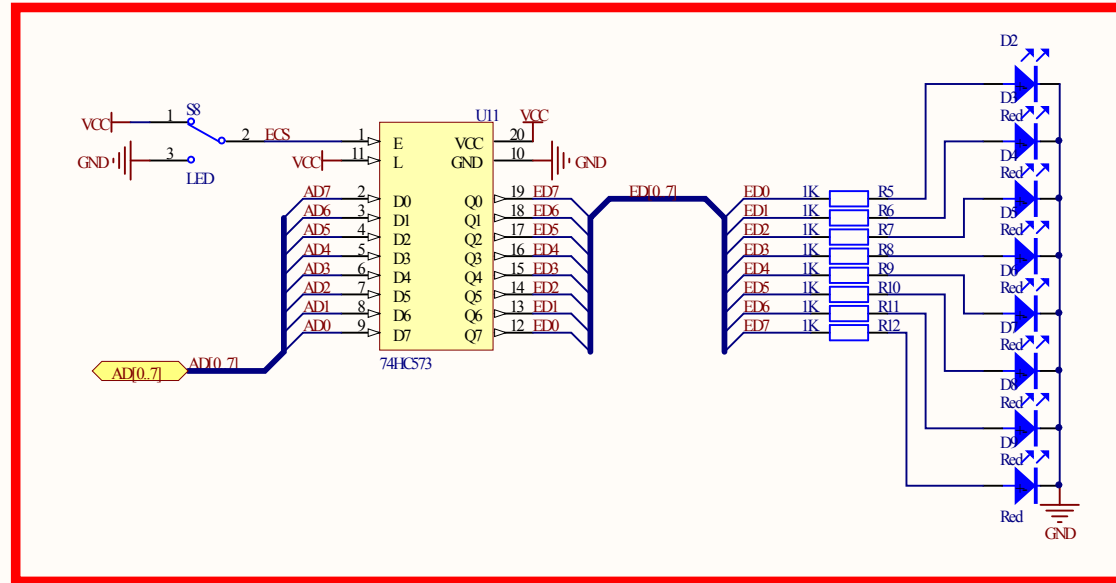
www.LT430.com



Title		
<i>CpoyRight@</i>		<i>www.LT430.com</i>
Size A4	Number	Revision <i>VER1.0</i>
Date: 2009-10-15	Sheet of	
File: E:\	\\InPut.SchDoc	Drawn By:

CpoyRight@

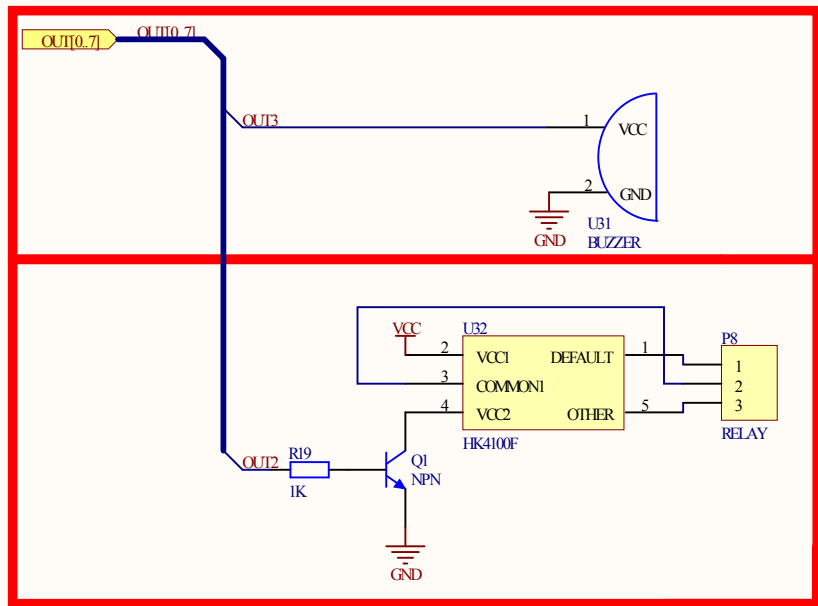
www.LT430.com



Title		<i>CpoyRight@</i>		<i>www.LT430.com</i>	
Size	A4	Number		Revision	<i>VER1.0</i>
Date:	2009-10-15		Sheet of		
File:	E:\		\LedSchDoc		Drawn By:

CpoyRight@

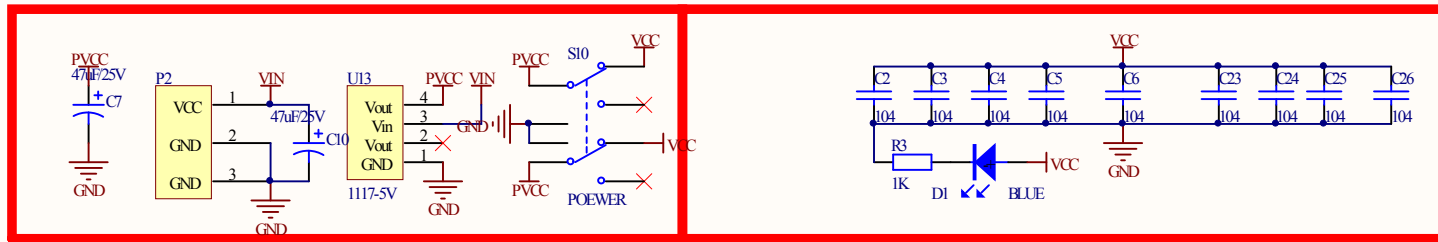
www.LT430.com



Title		<i>CpoyRight@</i>		<i>www.LT430.com</i>	
Size	A4	Number		Revision	<i>VER1.0</i>
Date:	2009-10-15		Sheet of		
File:	E:\	\OutPut.SchDoc		Drawn By:	

CpoyRight@

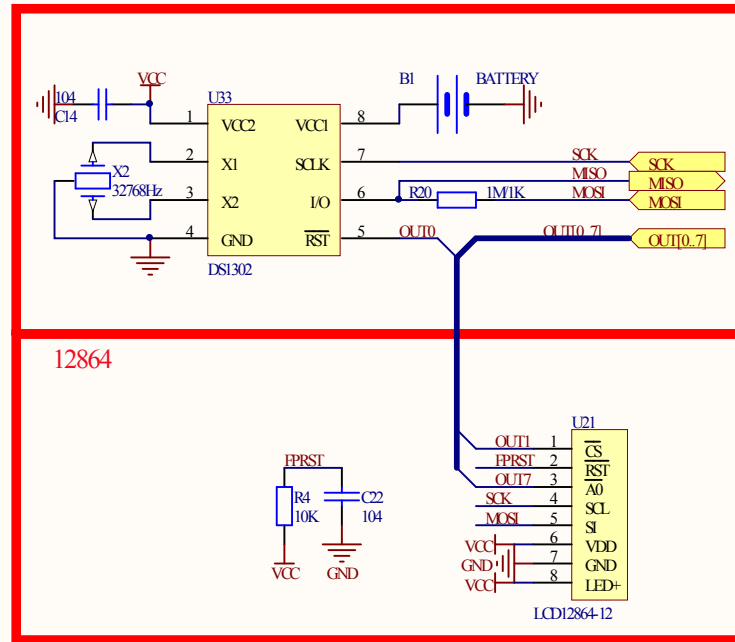
www.LT430.com



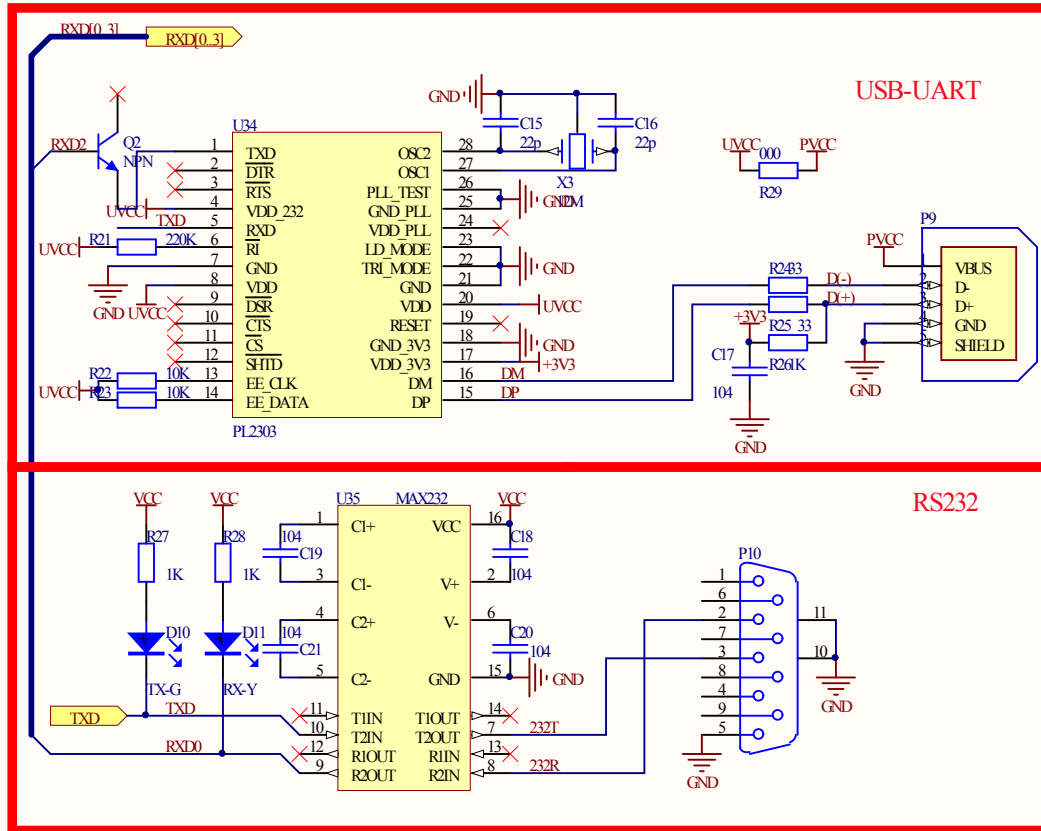
Title		<i>CpoyRight@</i>		<i>www.LT430.com</i>	
Size	A4	Number		Revision	<i>VER1.0</i>
Date:	2009-10-15	Sheet of			
File:	E:\	\Power.SchDoc		Drawn By:	

CpoyRight@

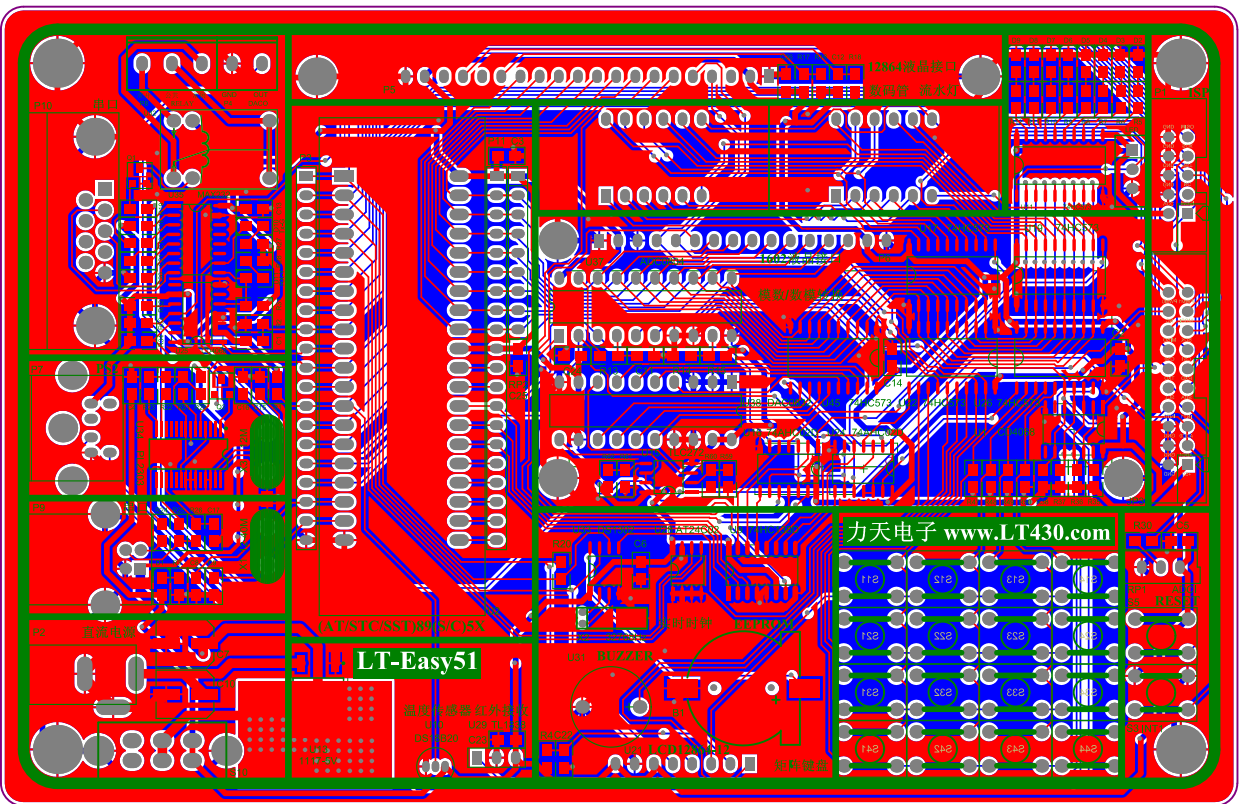
www.LT430.com



Title		<i>CpoyRight@</i>		<i>www.LT430.com</i>	
Size	Number	Revision		<i>VER 1.0</i>	
A4					
Date:	2009-10-15	Sheet of			
File:	E:\ \SPL\SchDoc	Drawn By:			



Title		CpoyRight@		www.LT430.com	
Size	A4	Number		Revision	VER.1.0
Date:	2009-10-15			Sheet of	
File:	E:\	\UART.SchDoc		Drawn By:	



Comment	Description	Designator	Footprint	LibRef	Quantity
BATTERY		B1	BAT3V	BATTERY	1
104	CAP	C1, C2, C3, C4, C5, C6, C12, C13, C14, C17, C18, C19, C20, C21, C22, C23, C24, C25, C26	0805	CAP	19
47uF/ 25V	Polarized Capacitor (Radial)	C7, C10	CTP	Cap Pol1	2
22p	CAP, Capacitor	C8, C9, C15, C16	0805	CAP	4
47p	CAP	C11	0805	CAP	1
BLUE		D1	LED-0805R	LED	1
Red		D2, D3, D4, D5, D6, D7, D8, D9	LED-0805R	LED	8
TX-G		D10	LED-0805G	LED	1
RX-Y		D11	LED-0805R	LED	1
PSER		J1, J2, J3, J4	PAD_8	PAD_8	4
SEG_5_4		JP3	PSER	PSER	1
SEG_5_4		LED1, LED2	LG3641	SEG_5_4	2
ISP	Header, 5-Pin, Dual row	P1	ISP	ISP	1
直流插座		P2	DC_SITE	DC_SITE	1
Header 20	Header, 20-Pin	P3, P11	HDR1X20	Header 20	2
DACO	Header, 2-Pin	P4	PJACK2SS396S	BaLck	1
12864液晶接口		P5	LCD12864-NT	12864	1
1602液晶接口		P6	LCD1602-43	1602	1
PS2		P7	PS2	PS2	1
RELAY	Header, 8-Pin	P8	PJACK3SS396S	PJACK3	1
串口		P9	USBS	USB_JACK	1
串口		P10	DB9FL	DB9	1
NPN	NPN Bipolar Transistor	Q1, Q2	SOT-23	NPN_S	2
10K		R1, R2, R4, R13, R14, R15, R16, R18, R22, R23, R30, R31, R32, R33, R34, R35, R36, R37, R38, R47, R48, R49, R50, R59, R60, R61, R62	0805	RES2	27
1K		R3, R5, R6, R7, R8, R9, R10, R11, R12, R19, R20, R27, R28	0805	RES2	13
000		R17, R29	0805	RES2	2
1M 1K		R20	0805	RES2	1
220K		R21	0805	RES2	1
33		R24, R25	0805	RES2	2
ADCI		RP1	RES3	RES3	1
4K7		RP2	RES9	R8	1
INT1	Switch	S3	KEY	SW-PB	1
RESET	Switch	S5	KEY	SW-PB	1
LED	Switch	S8	SPDT-3	SW_SPDT	1
POEWER	Switch	S10	SS-22FD6	SW_DPDT2	1
SW-11	Switch	S11	KEY	SW-PB	1
SW-12	Switch	S12	KEY	SW-PB	1
SW-13	Switch	S13	KEY	SW-PB	1
SW-14	Switch	S14	KEY	SW-PB	1
SW-21	Switch	S21	KEY	SW-PB	1
SW-22	Switch	S22	KEY	SW-PB	1
SW-23	Switch	S23	KEY	SW-PB	1
SW-24	Switch	S24	KEY	SW-PB	1
SW-31	Switch	S31	KEY	SW-PB	1
SW-32	Switch	S32	KEY	SW-PB	1
SW-33	Switch	S33	KEY	SW-PB	1
SW-34	Switch	S34	KEY	SW-PB	1
SW-41	Switch	S41	KEY	SW-PB	1
SW-42	Switch	S42	KEY	SW-PB	1
SW-43	Switch	S43	KEY	SW-PB	1
SW-44	Switch	S44	KEY	SW-PB	1
CD4068	8-Input NAND/AND Gate	U1, U25	SOP14	CD4068	2
(AT7/STC/SST)89(S)/CBX		U2	DIP40_SJS	AT89S52	1
74HC138D	3-Line to 8-Line Decoder / Demultiplexer	U9	D016_L	74HC138D	1
DS18B20		U10	TO-92B	DS18B20	1
74HC573		U11, U17, U19, U22, U26, U45	SOP20	74HC573	6
1117-5V	Header, 3-Pin	U13	TO252-3M	1117	1
TLC272		U15	SOP8	TLC272	1
74AHC02D	Quaduple 2-Input Positive-NOR Gate	U16, U24	SOP14	74AHC02D	2
LCD12864-12	Header, 8-Pin	U21	SO12864FPDN	LCD12864-12	1
AT24C02		U28	SOP8	24C0X	1
TL1838	Header, 8-Pin	U29	TL1838	TL1838	1
BUZZER		U31	BUZZLE	BUZZLE	1
HK4100F		U32	HK4100F	RELAY220	1
DS1302		U33	SOP8	DS1302	1
PL2303		U34	SSOP28W	PL2303	1
MAX3232	MAX3232	U35	SOP16	MAX3232	1
ADC0804	ADC0804	U37	DIP20	ADC0804	1
DAC0832	DAC0832	U38	DIP20	DAC0832	1
12.40M		X1	CRYSTAL4	CRYSTAL	1
32768Hz		X2	CRYSTAL3	CRYSTAL	1
12M		X3	CRYSTAL4	CRYSTAL	1