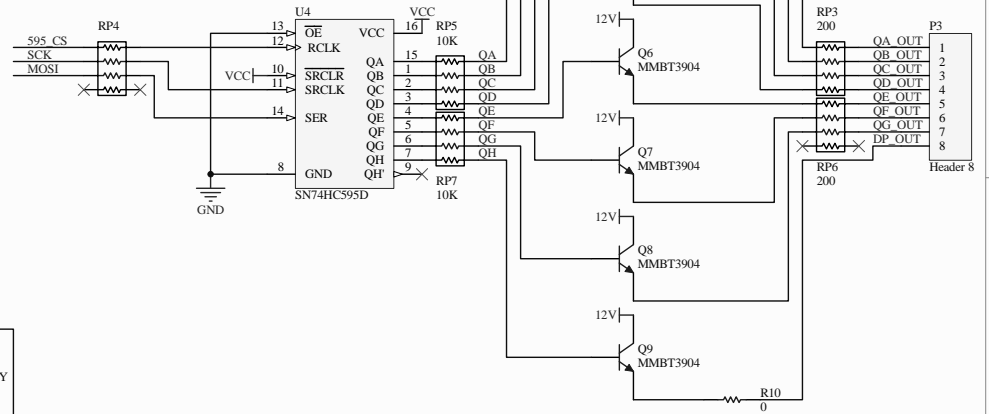
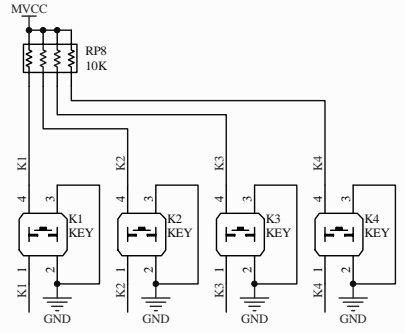
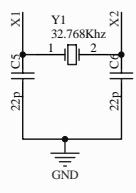
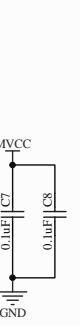
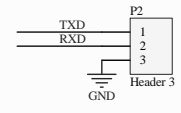
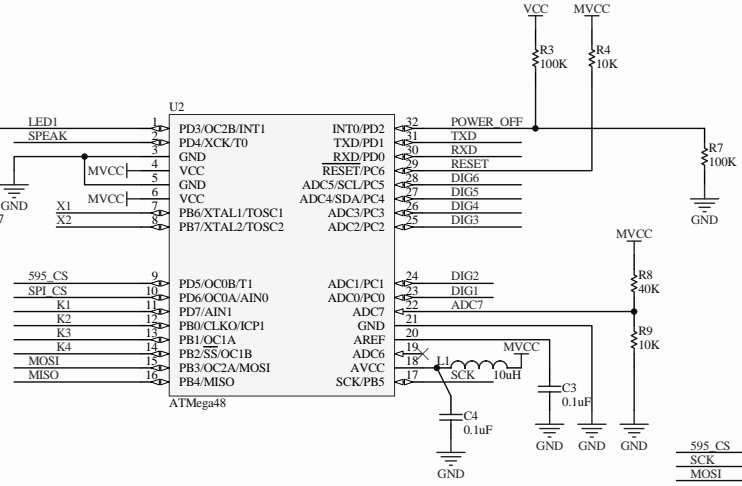
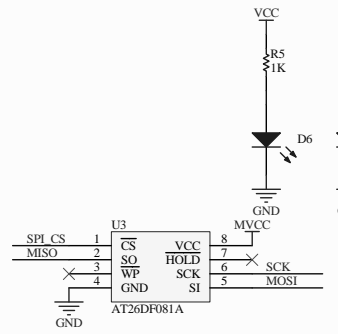
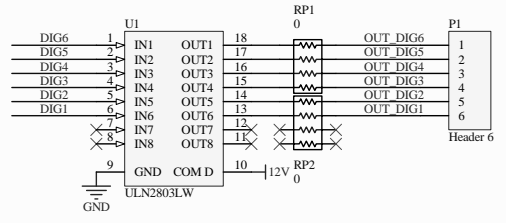
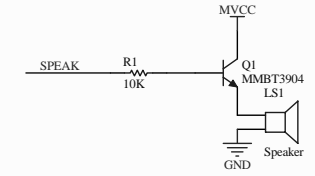
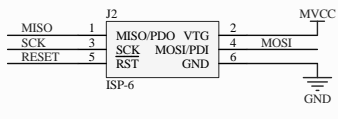
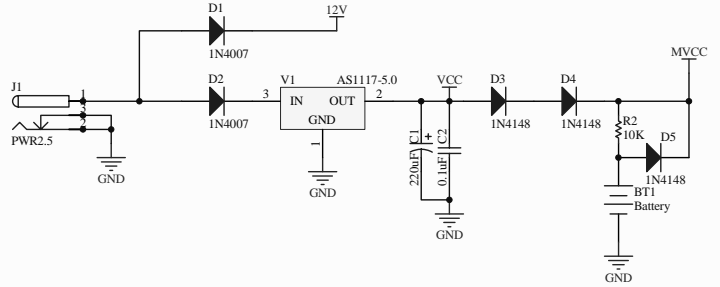


Clock System
 设计: StarLi 审核: HanLin

功能: 驱动3寸6位共阴数码管

VCC 5V
 MVCC 3.7V



Title		
CLOCK-SYSTEM		
Size	Number	Revision
A3	1	Ver1.0
Date:	2009-10-10	Sheet of
File:	G:\clock\Hardware\Clock-System.SchDoc	Drawn By: StarLi