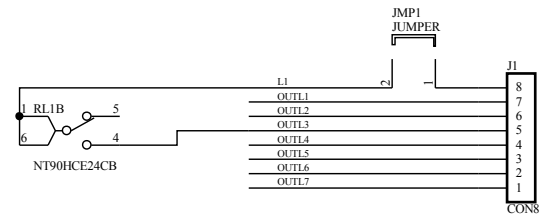
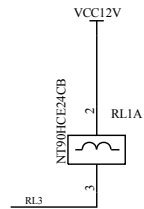
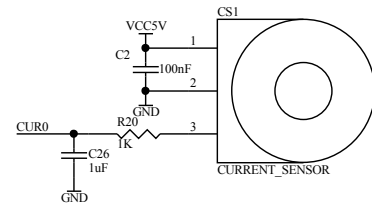
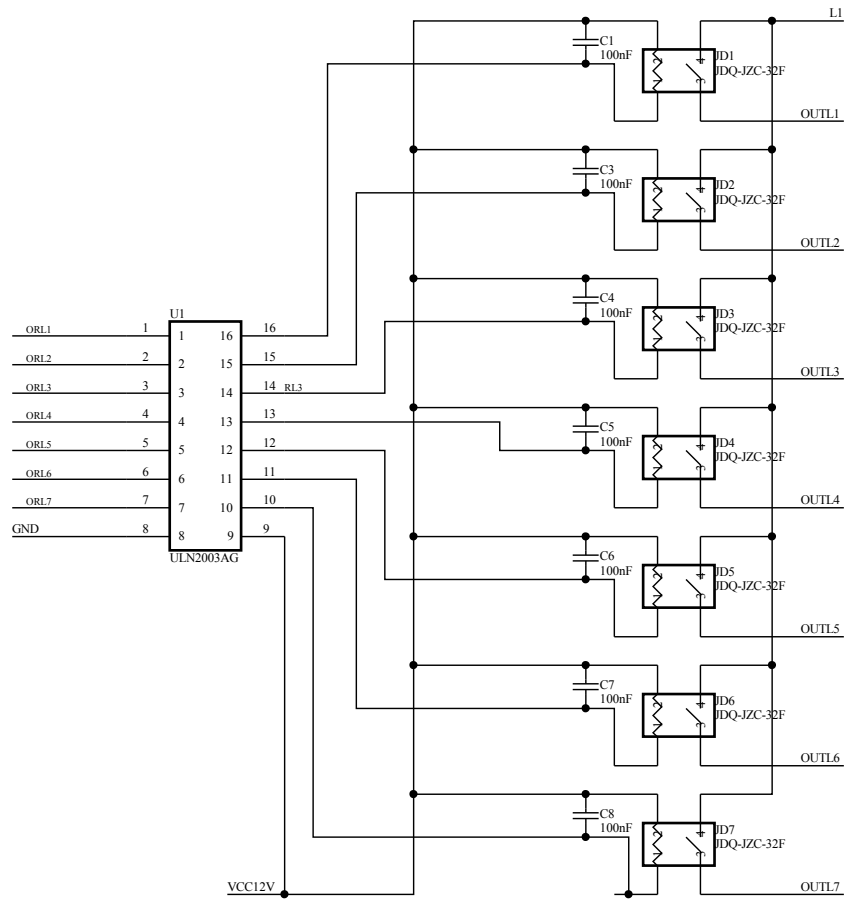
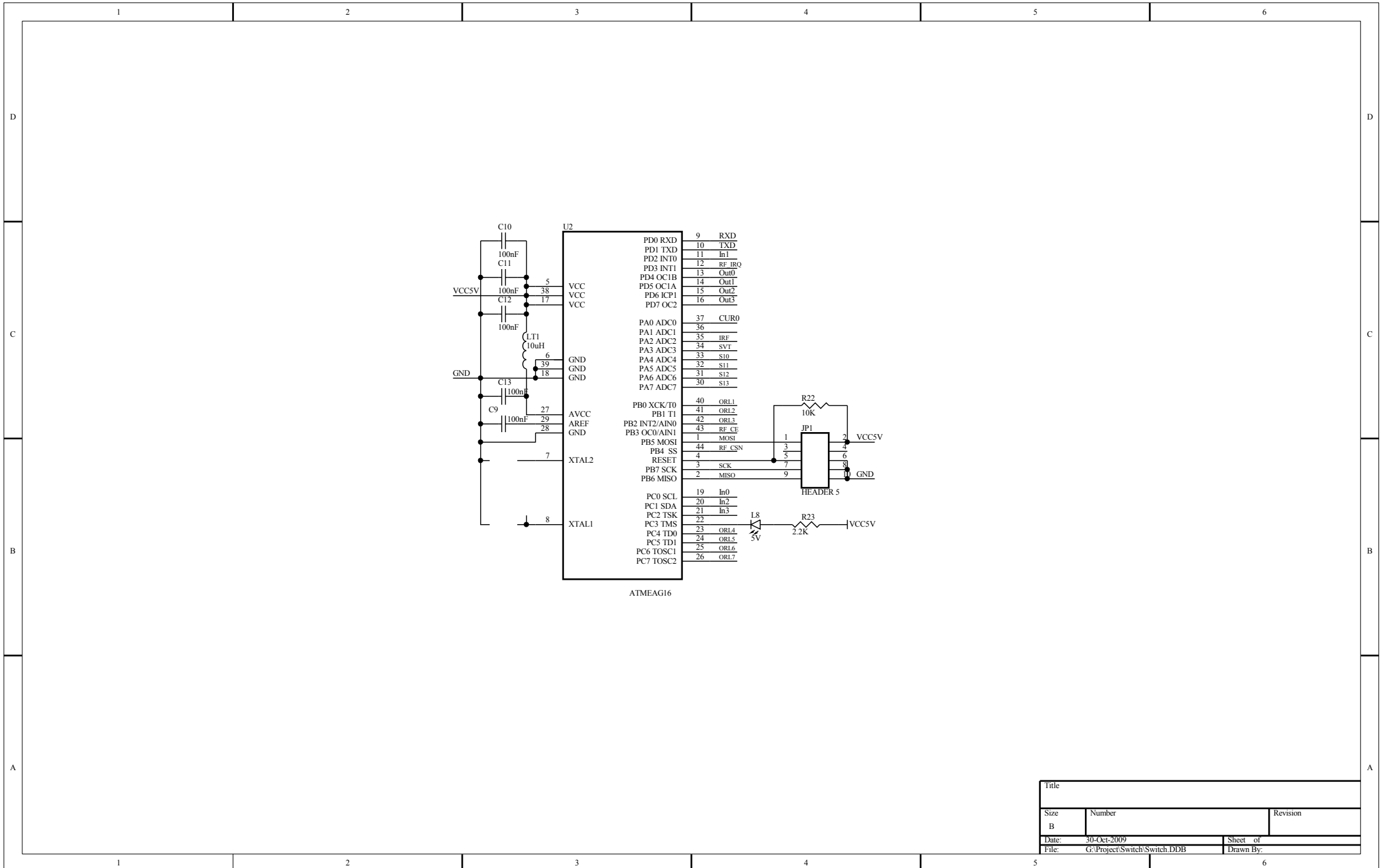


Title		
Size B	Number	Revision
Date:	30-Oct-2009	Sheet of
File:	G:\Project\Switch\Switch.DDB	Drawn By:

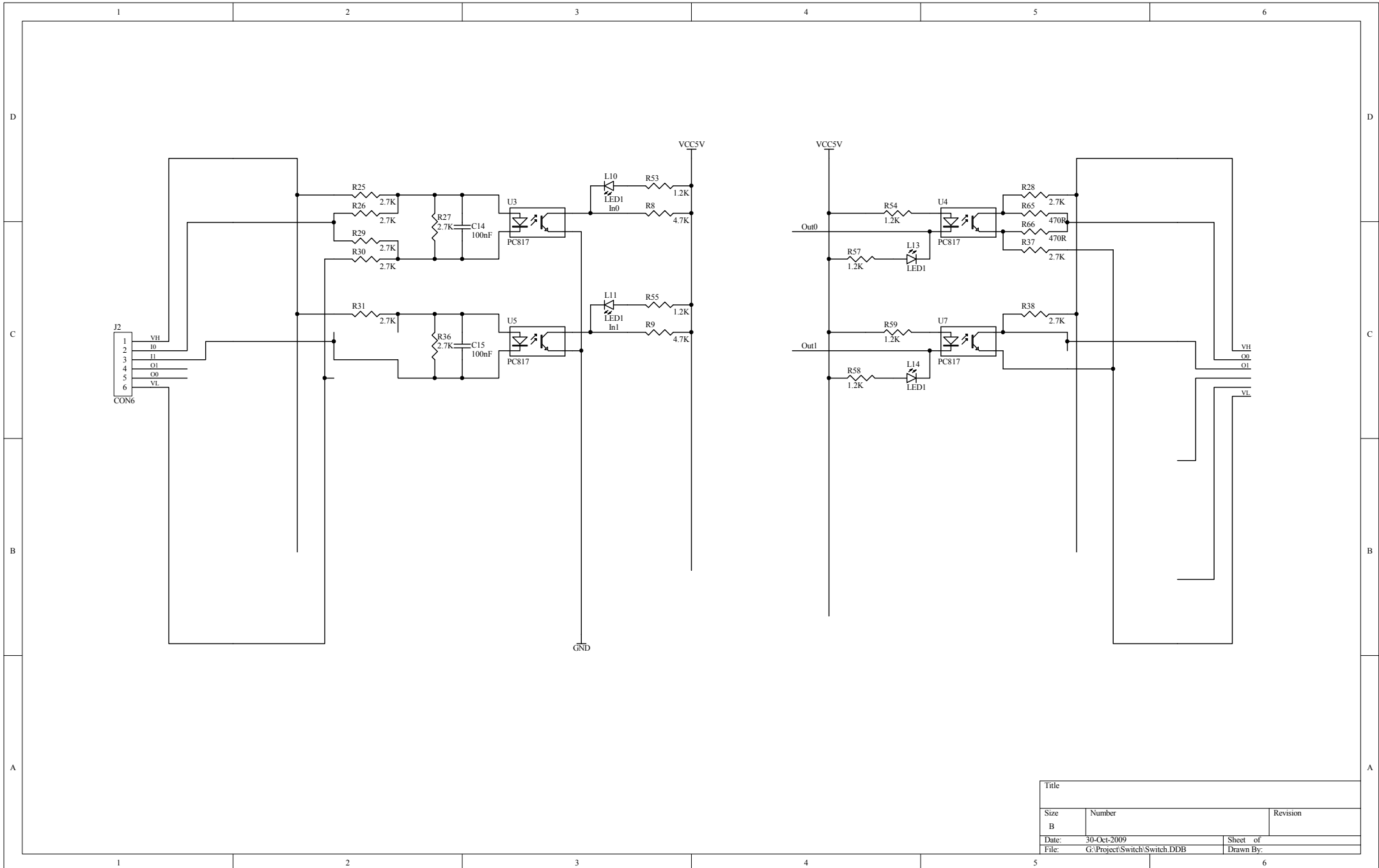


Title		
Size	Number	Revision
B		
Date:	30-Oct-2009	Sheet of
File:	G:\Project\Switch\Switch.DDB	Drawn By:

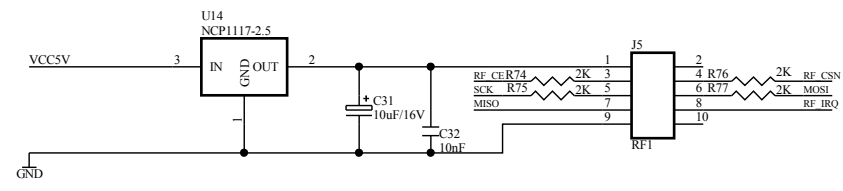
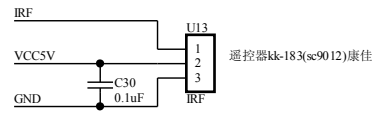
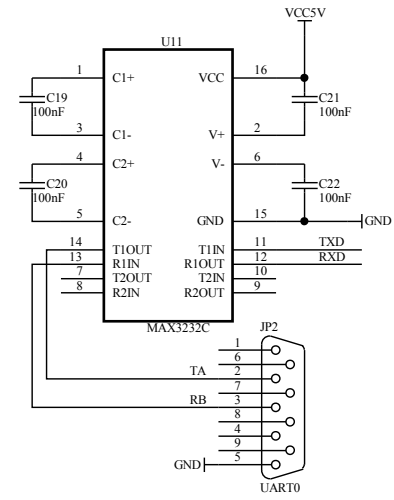
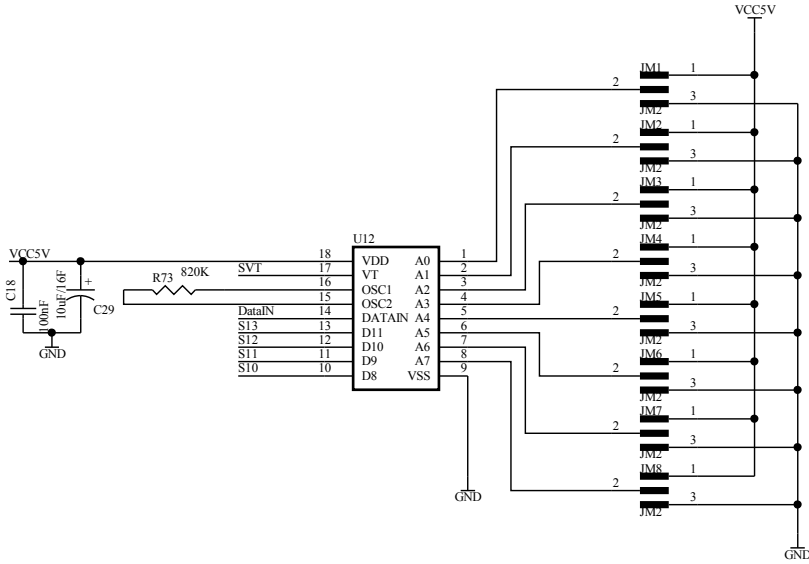
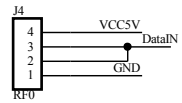


9	RXD
10	TXD
11	In1
12	RF_IRQ
13	Out0
14	Out1
15	Out2
16	Out3
17	
18	
19	In0
20	In2
21	In3
22	ORL4
23	ORL5
24	ORL6
25	ORL7
26	
27	
28	
29	
30	S13
31	S12
32	S11
33	S10
34	SVT
35	IRF
36	
37	CUR0
38	
39	
40	ORL1
41	ORL2
42	ORL3
43	RF_CE
44	RF_CSN
45	
46	
47	
48	
49	
50	
51	
52	
53	
54	
55	
56	
57	
58	
59	
60	
61	
62	
63	
64	
65	
66	
67	
68	
69	
70	
71	
72	
73	
74	
75	
76	
77	
78	
79	
80	

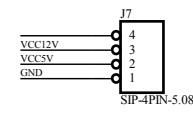
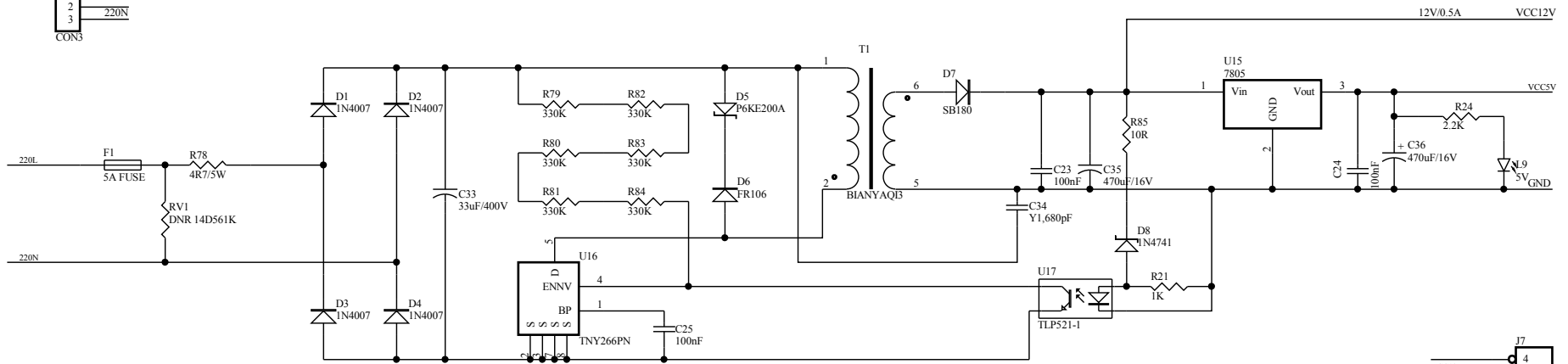
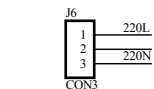
Title		
Size	Number	Revision
B		
Date:	30-Oct-2009	Sheet of
File:	G:\Project\Switch\Switch.DDB	Drawn By:



Title		
Size	Number	Revision
B		
Date:	30-Oct-2009	Sheet of
File:	G:\Project\Switch\Switch.DDB	Drawn By:



Title		
Size	Number	Revision
B		
Date:	30-Oct-2009	Sheet of
File:	G:\Project\Switch\Switch.DDB	Drawn By:



Title		
Size	Number	Revision
B		
Date:	30-Oct-2009	Sheet of
File:	G:\Project\Switch\Switch.DDB	Drawn By: