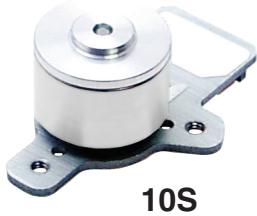


Brushless DC Motors

for Digital Light Processing™ Products



10S



17S

28S



28S
Air Dynamic

Mechanical and Electrical Characteristics ⁽¹⁾

Model	Torque Constant (mNm/A)	Rotational Speed		Rotation (Top View)	Max. Disk Load		Operating Voltage		No Load Current ⁽²⁾ (mA)	Sound Pressure ⁽³⁾ (dBA)	Bearing	Operating Temp.		Motor Life (hours)
		Nom. (rpm)	Max. (rpm)		Inertia (g-cm ²)	Weight (g)	Nom. (V)	Range (V)				Min. (°C)	Max. (°C)	
10S	5.1	7,200	10,800	CW or CCW	9.5	6.0	12	11.4-12.6	200	50	Sleeve	+5	+85	15,000
17S	6.0	7,200	10,800	CW or CCW	56.9	15	12	11.4-12.6	250	50	Sleeve	+5	+85	20,000
28S	7.0	7,200	10,800	CW or CCW	234	20	12	11.4-12.6	350	53	Sleeve	+5	+85	30,000
28S ⁽⁴⁾	5.0	10,800	14,400	CW	56.0	10	12	11.4-12.6	120	50	Air Dynamic	+5	+85	300,000 ⁽⁵⁾

Note: (1) Values are representative of current designs. Design-to-specification capabilities are available for these motors.

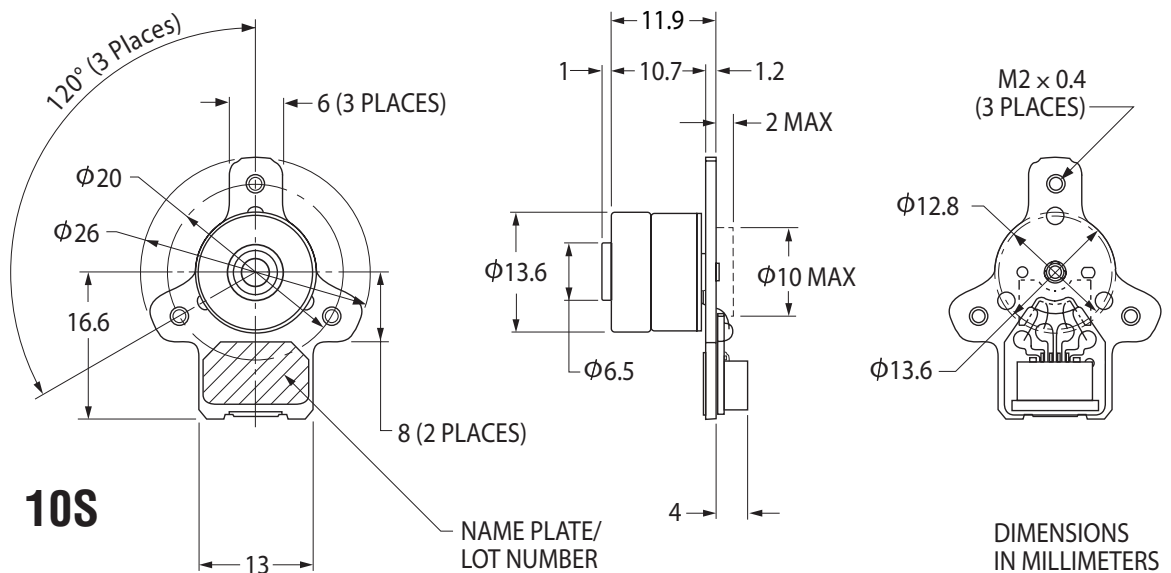
(2) Maximum value.

(3) Sound pressure is recorded at nominal speed under no-load conditions, 4.0 cm (axially) from the center of the top of the motor.

(4) 28S motors with air dynamic bearings are available with a choice of balancing options: Material deposition or material removal.

(5) ON/OFF cycles.

™ Digital Light Processing is a brand trademark of Texas Instruments.



10S

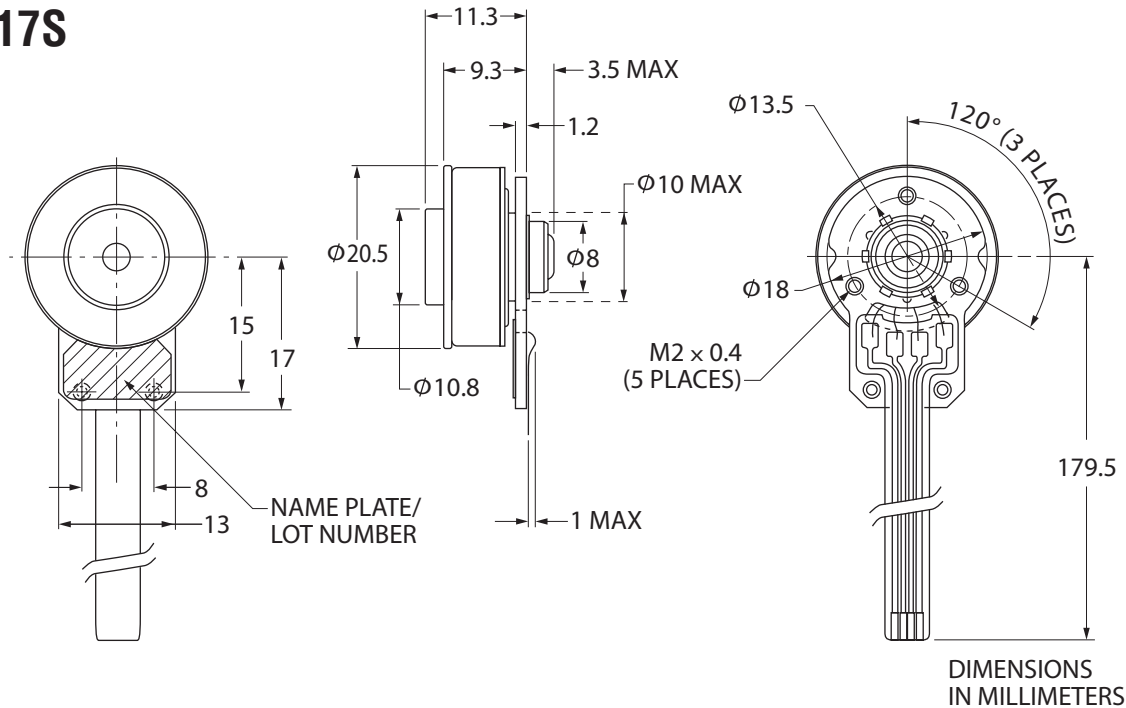
DIMENSIONS
IN MILLIMETERS



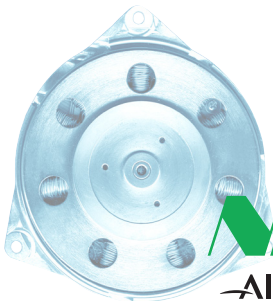
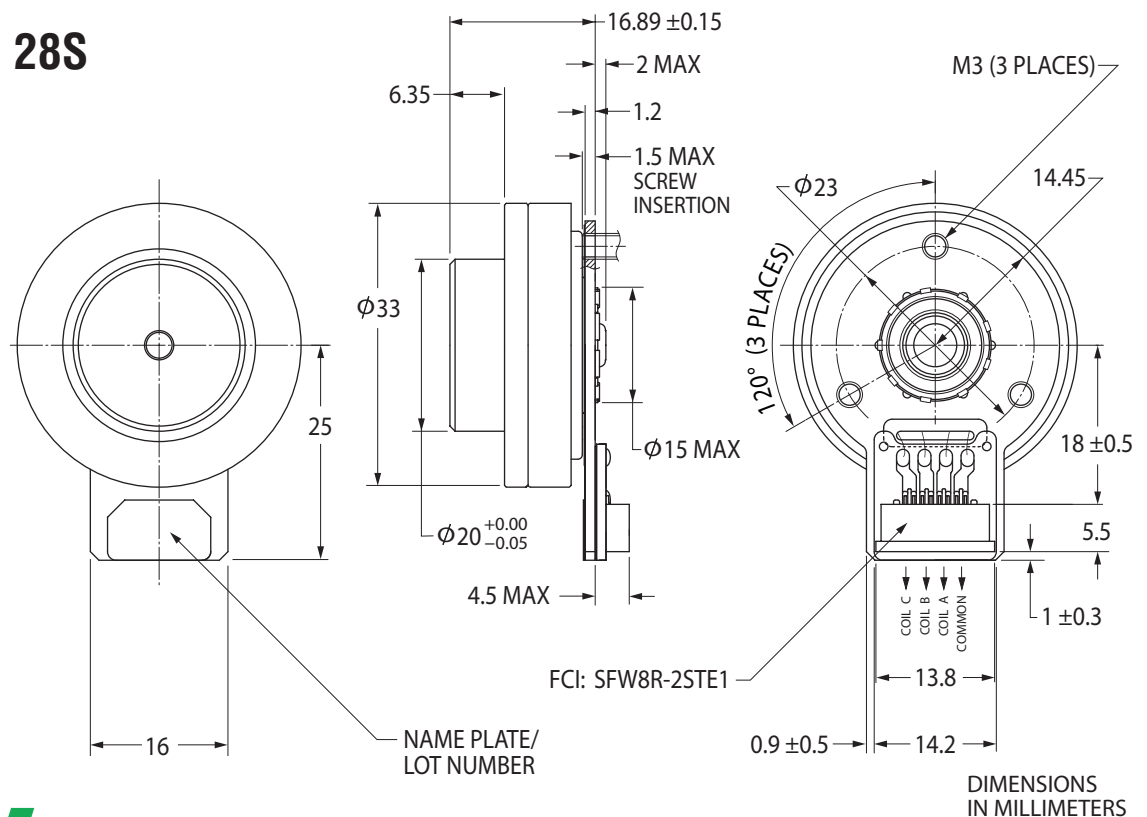
Brushless DC Motors

for Digital Light Processing™ Products

17S



28S

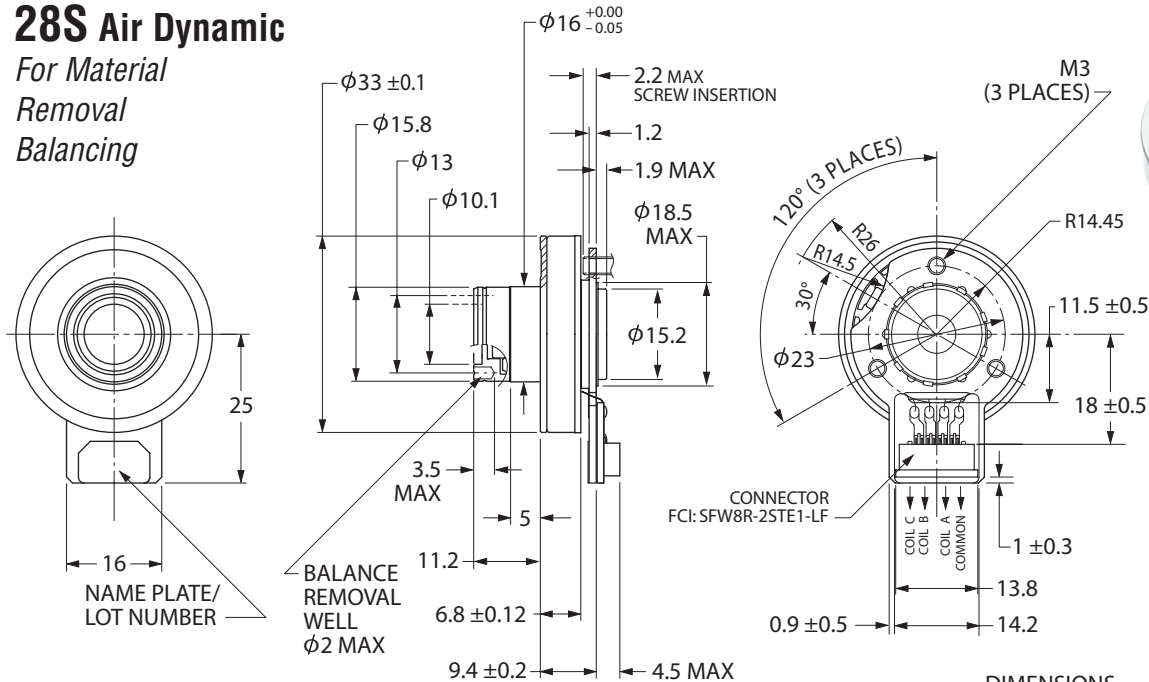


Nidec
All for dreams

Brushless DC Motors for Digital Light Processing™ Products

28S Air Dynamic

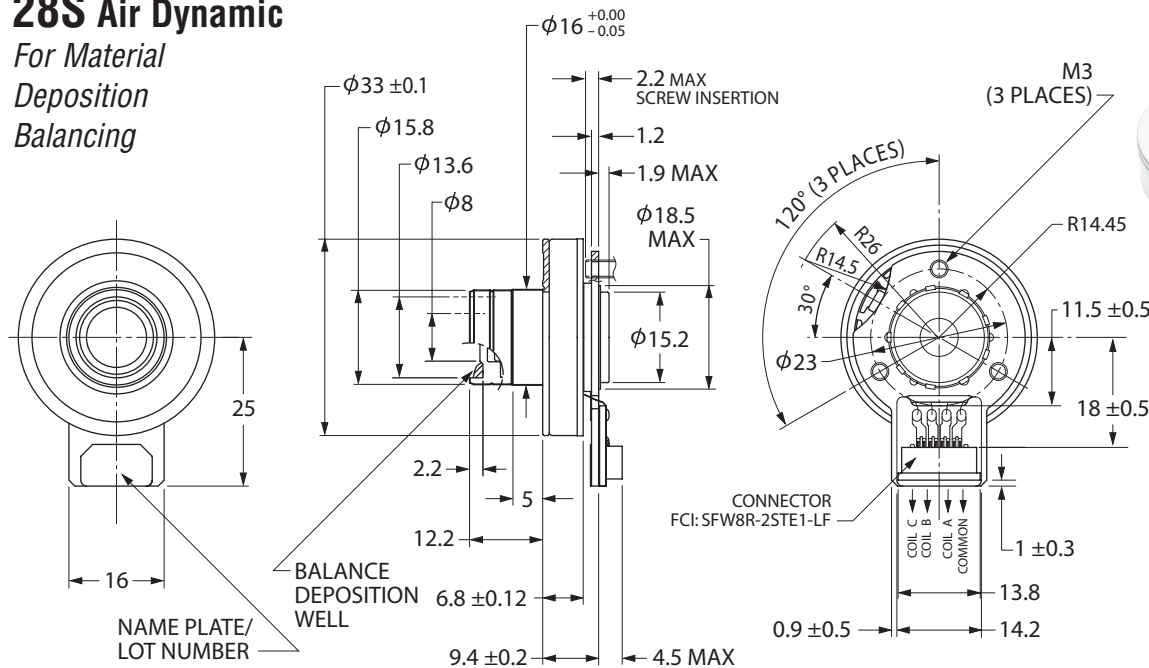
For Material
Removal
Balancing



DIMENSIONS
IN MILLIMETERS

28S Air Dynamic

For Material
Deposition
Balancing



DIMENSIONS
IN MILLIMETERS

N/AHAJ

Nidec America · phone 248-340-9977 · email motors@nidec.com · www.nidec.com

Nidec
All for dreams

