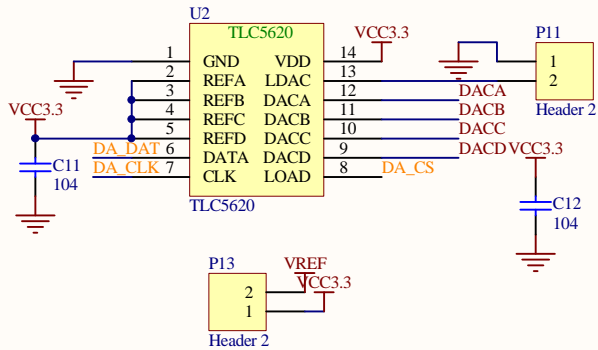
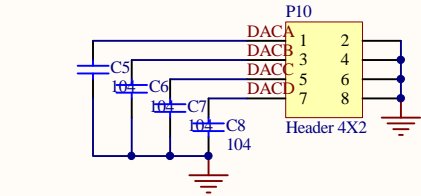
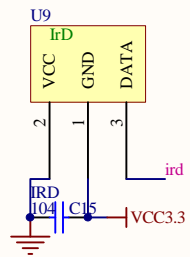


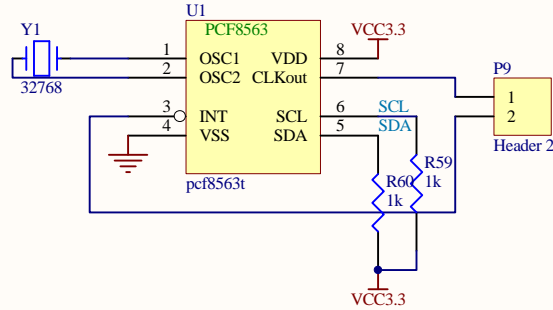
### DA模块



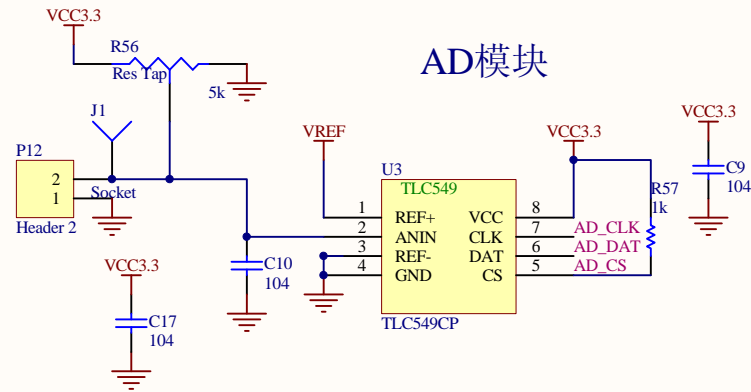
### 红外模块



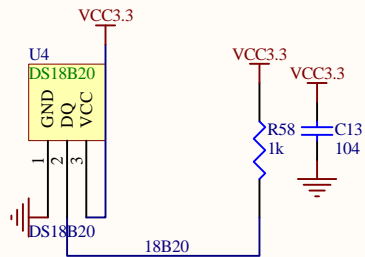
### I2C总线 PCF8563时钟芯片



### AD模块

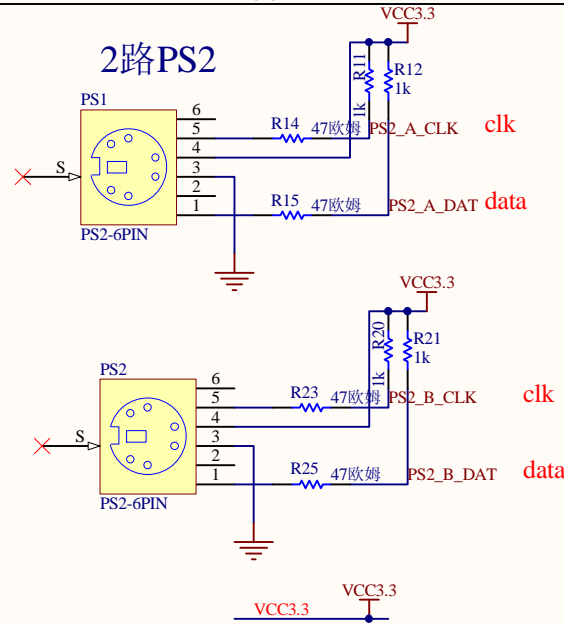
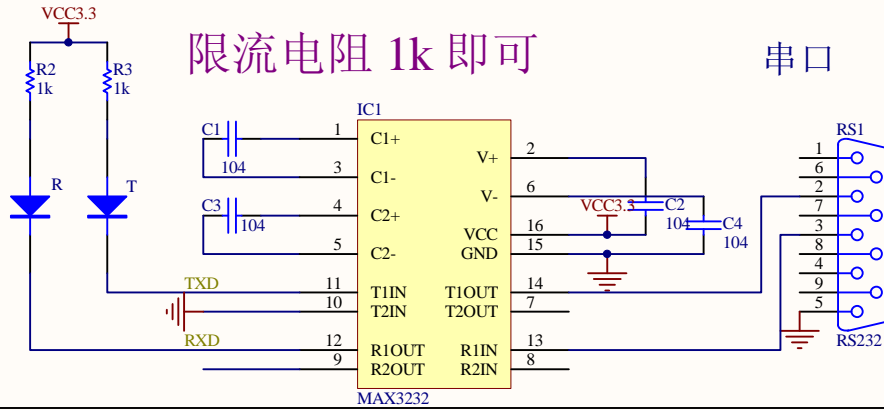
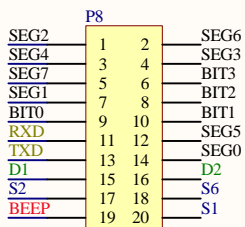
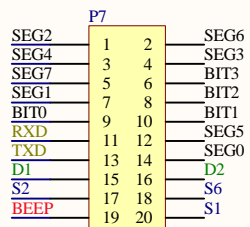
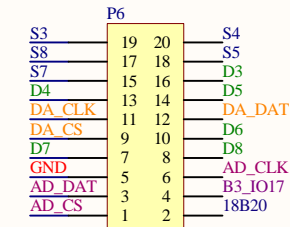
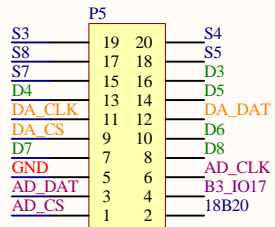
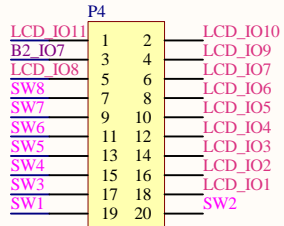
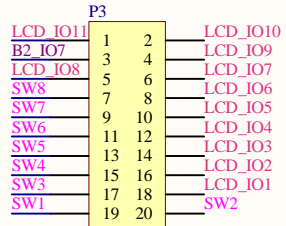
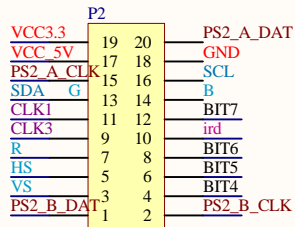
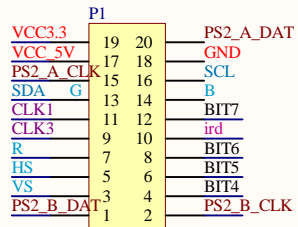


### 温度传感器



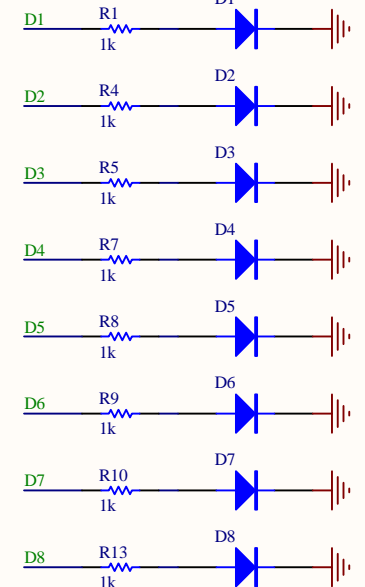
艾米电子工作室  
<http://www.amy-studio.com/>  
<http://shop33537127.taobao.com/>

Title			IC3
Size	Number	Revision	
A4	DB zliang		
Date:	2009-8-22	Sheet of	
File:	E:\个人工作\09-board\per_1\IC3.SchDoc	Drawn By:	

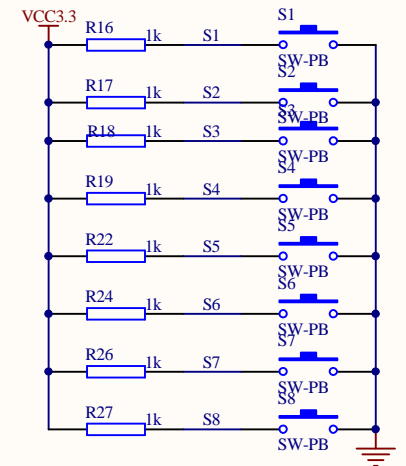


艾米电子工作室  
<http://www.amy-studio.com/>  
<http://shop33537127.taobao.com/>

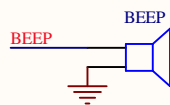
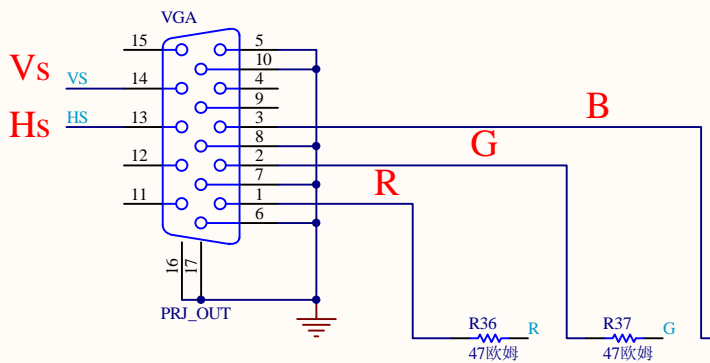
限流电阻 1k 即可



上拉电阻 1k

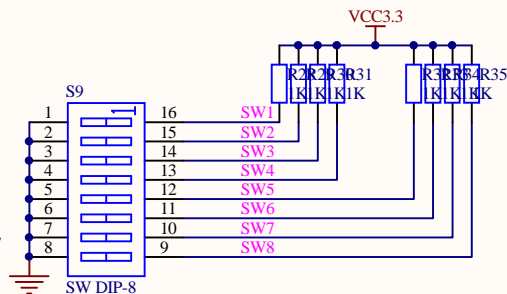


Title		Part1	
Size	Number	DB zliang	
A4			
Date:	2009-8-22	Sheet of	
File:	E:\个人工作\09-board\per_1\part1.SchDoc	Drawn By:	

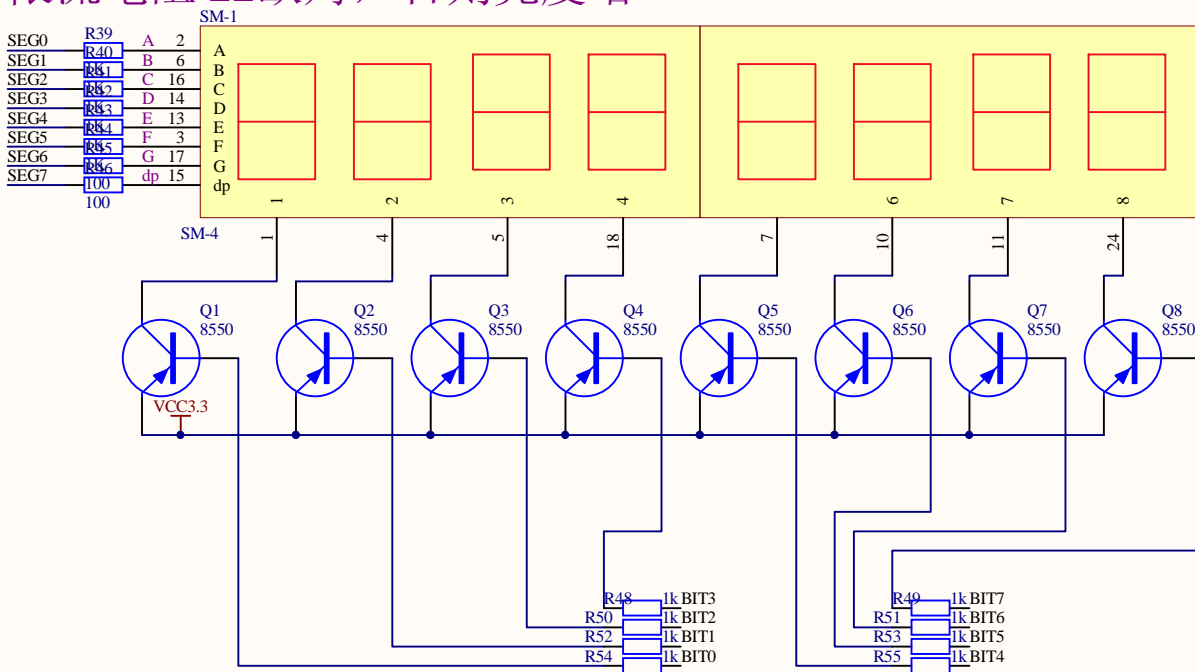


艾米电子工作室  
<http://www.amy-studio.com/>  
<http://shop33537127.taobao.com/>

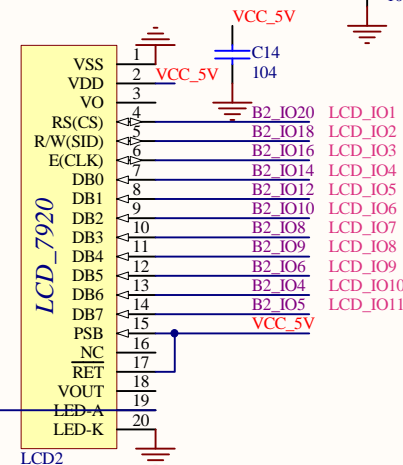
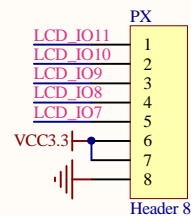
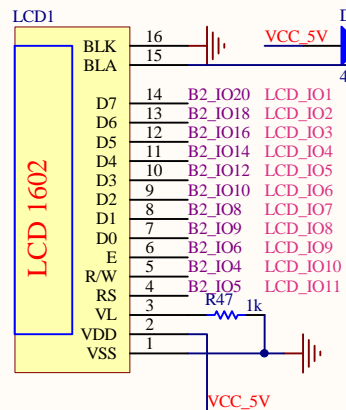
上拉电阻 1k



限流电阻 22欧姆, 否则亮度暗



基极电阻 1k



Title			Part2
Size	Number	Revision	
A4		DB zliang	
Date:	2009-8-22	Sheet of	
File:	E:\个人工作\09-board\per_1\part2.SchDoc	Drawn By:	

U\_IC3  
IC3.SchDoc



U\_part1  
part1.SchDoc



U\_part2  
part2.SchDoc



艾米电子工作室  
<http://www.amy-studio.com/>  
<http://shop33537127.taobao.com/>

Title				Periphery for CPLD/FPGA	
Size	Number		Revision		
A4	DB zliang				
Date:	2009-8-22		Sheet of		
File:	E:\个人工作\...\Periphery.SchDoc		Drawn By:		