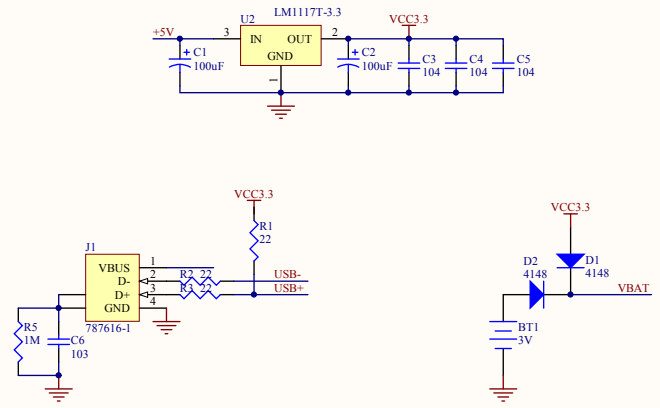
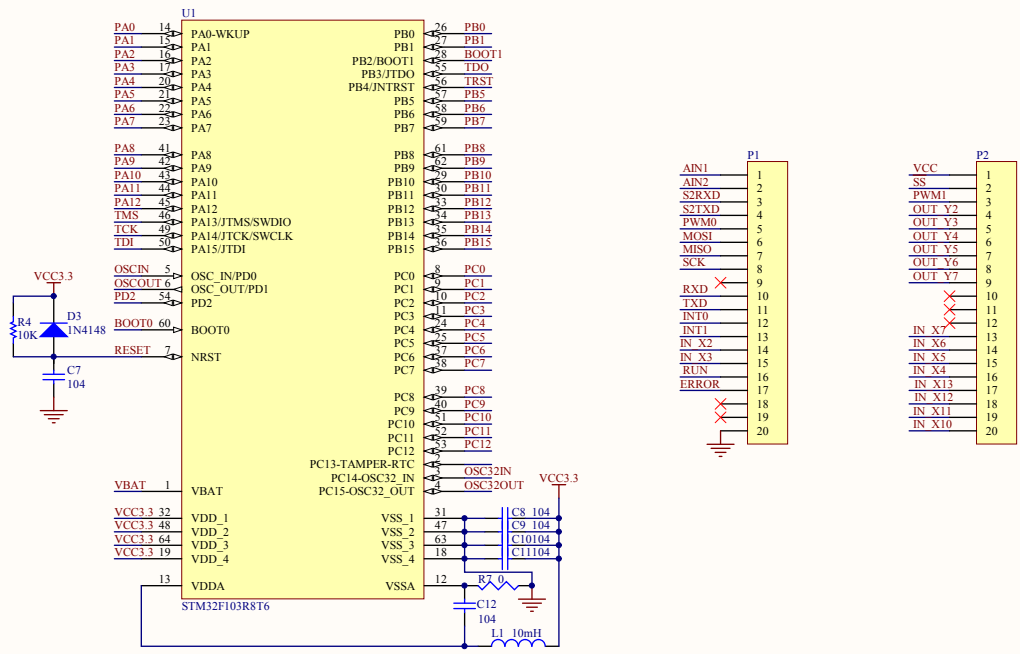
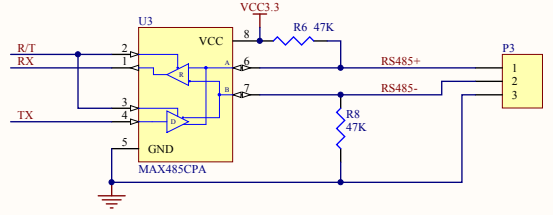


A



A

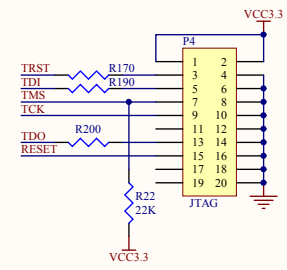
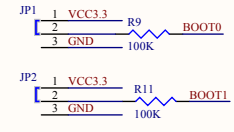
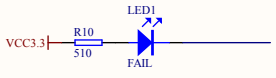
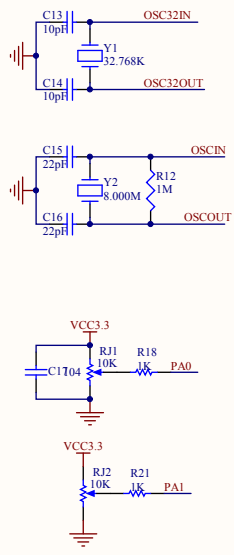
B



RS485

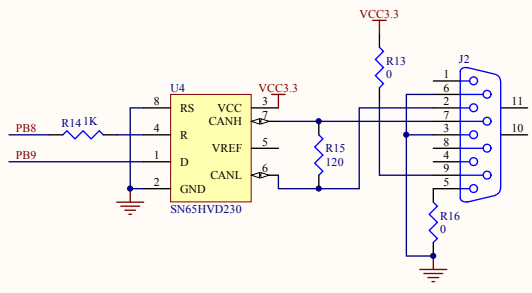
B

C



JTAG

C



CAN

D

Title		
DIY PLC STM32		
Size	Number	Revision
A3		
Date:	2009-9-11	Sheet of
File:	C:\Documents and Settings\STM32 PLC	Sheet No. By: