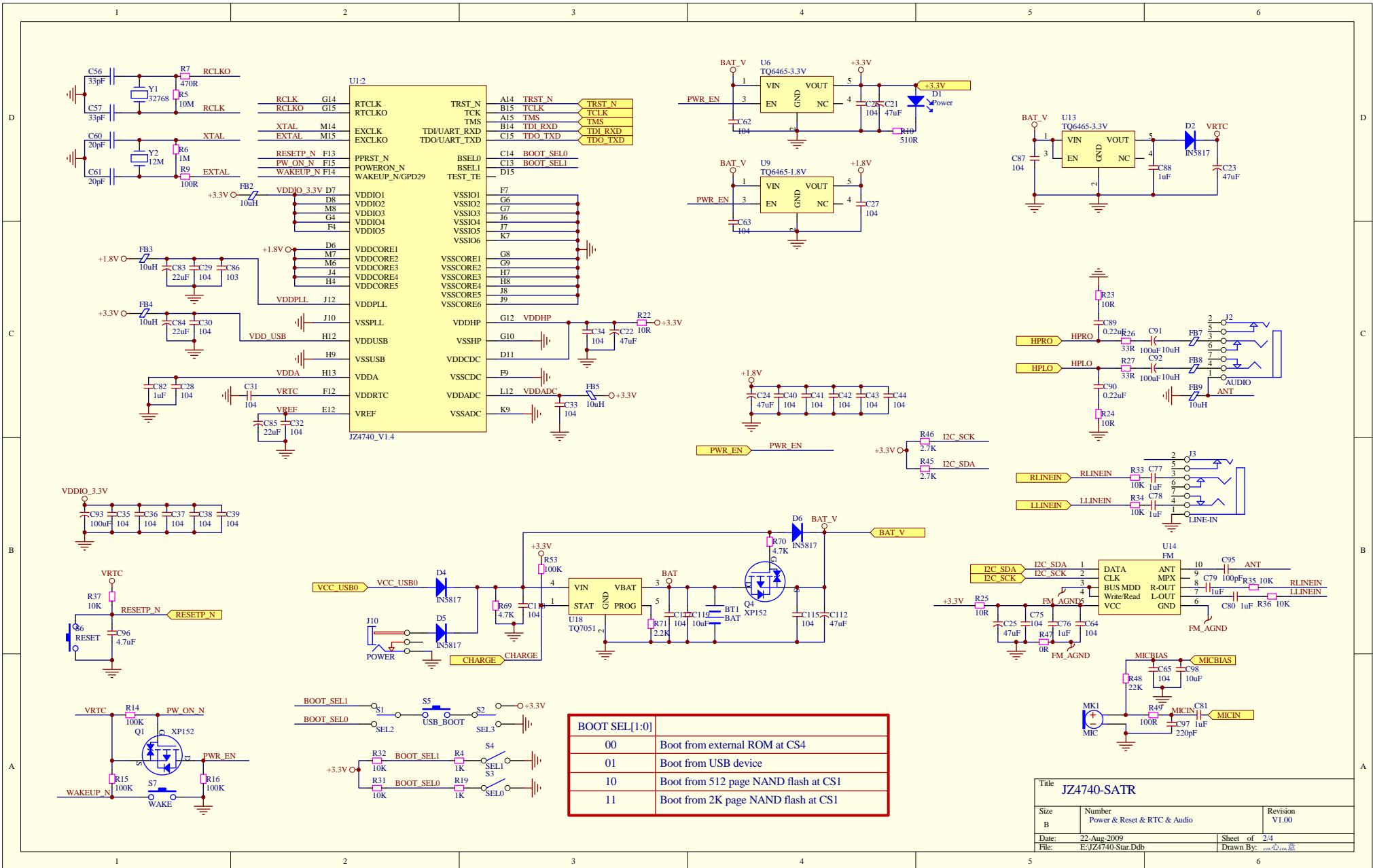
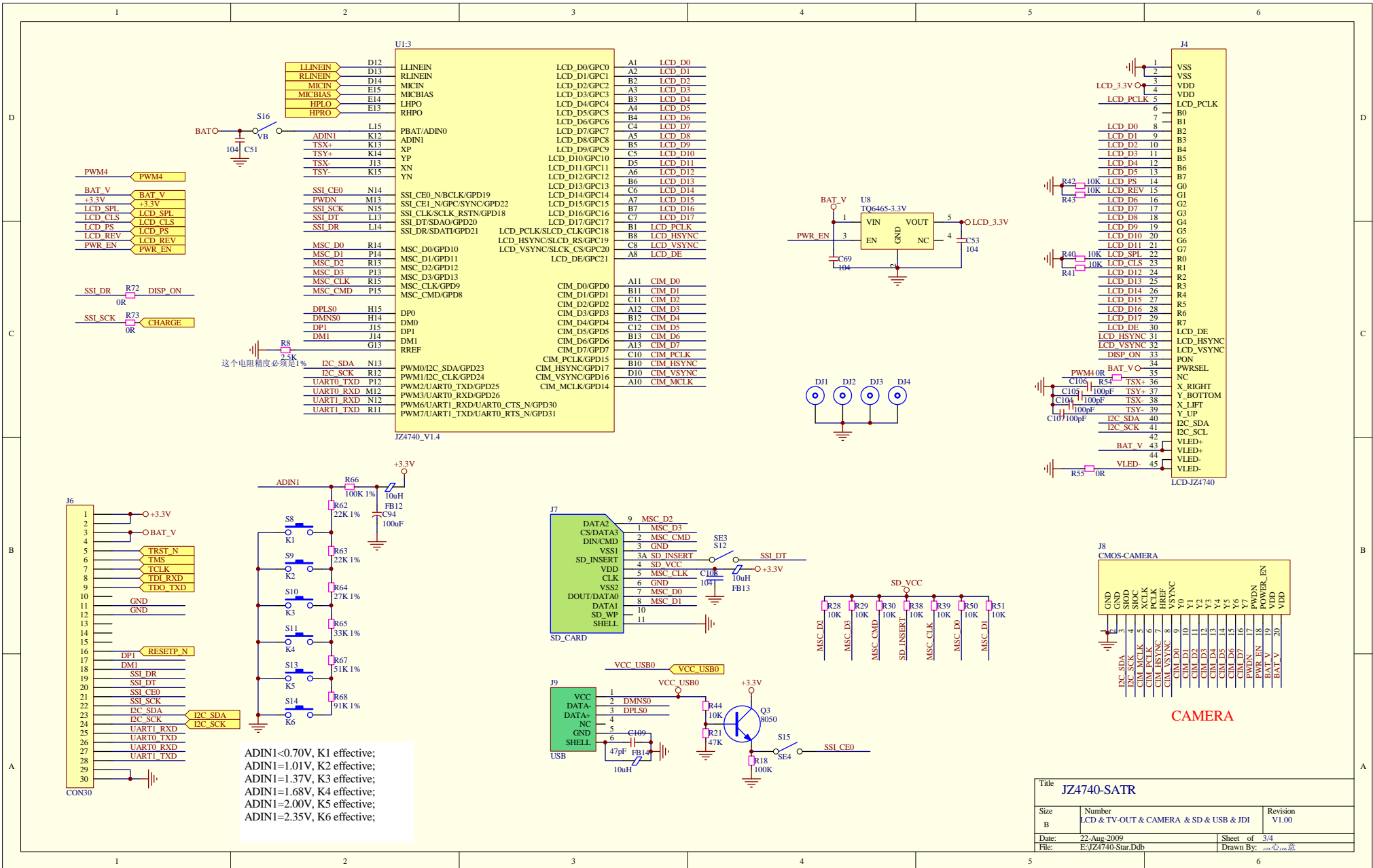


Title JZ4740-SATR		
Size B	Number Main	Revision V1.00
Date: 22-Aug-2009	Sheet of 1/4	Drawn By: ...
File: E:\JZ4740-Star.Ddb	Drawn By: ...	



BOOT SEL[1:0]	
00	Boot from external ROM at CS4
01	Boot from USB device
10	Boot from 512 page NAND flash at CS1
11	Boot from 2K page NAND flash at CS1



Title		
JZ4740-SATR		
Size	Number	Revision
B	LCD & TV-OUT & CAMERA & SD & USB & JDI	V1.00
Date:	22-Aug-2009	Sheet of 3/4
File:	E:\JZ4740-Star.Ddb	Drawn By: 廖心童

