

U1 74LVC245

PWM_Uu1	1	T.R	VCC	19	+VDD3.3
PWM_Ud1	2	A0	B0	18	PWM_Uup
PWM_Vu1	3	A1	B1	17	PWM_Udown
PWM_Vd1	4	A2	B2	16	PWM_Vup
PWM_Wu1	5	A3	B3	15	PWM_Vdown
PWM_Wd1	6	A4	B4	14	PWM_Wup
PWM4A	7	A5	B5	13	PWM_Wdown
PWM4B	8	A6	B6	12	PWM4Aout
	9	A7	B7	11	PWM4Bout
	10	GND			

P5 Header 15X2

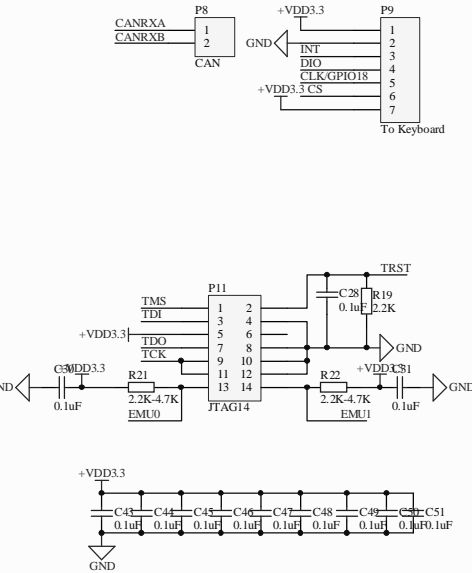
+5V_IN	1	PWM_Uup	2	PWM_Udown	GND
	3	PWM_Vup	4	PWM_Vdown	
	5	PWM_Wup	6	PWM_Wdown	
	7	PWM4Aout	8	PWM4Bout	
	9	TZ1	10	TZ2	
	11	TZ3	12	TZ4	
	13	TZ5	14	TZ6	
	15		16		
GPIO8/ADCSOCAO	17	GPIO10/ADCSOCBO	18		
GPIO34	19		20		
	21	GPIO20/EQEP1A	22	GPIO21/EQEP1B	
GPIO20/EQEP1A	23	GPIO22/EQEP1S	24	GPIO23/EQEP1I	
GPIO22/EQEP1S	25	GPIO24/EQEP2A	26	GPIO25/EQEP2B	
GPIO24/EQEP2A	27	GPIO26/EQEP2I	28	GPIO27/EQEP2S	
GPIO26/EQEP2I	29		30		

Header 6

6	ADCINA0	0R	R8
5	ADCINA1	0R	R10
4	ADCINA2	0R	R12
3	ADCINA3	0R	R13
2	ADCINA4	0R	R14
1	ADCINA5	0R	R15

U3 DSP TMS320F28016

47	PWM_Uu1
44	PWM_Ud1
45	PWM_Vu1
48	PWM_Vd1
51	PWM_Wu1
53	PWM_Wd1
56	PWM4A
58	PWM4B
60	GPIO8/ADCSOCAO
61	INT
64	GPIO10/ADCSOCBO
70	DIO
1	TZ1
95	TZ2
8	TZ3
9	TZ4
50	TZ5
52	TZ6
54	CLK_GPIO18
57	CS
63	GPIO20/EQEP1A
67	GPIO21/EQEP1B
71	GPIO22/EQEP1S
72	GPIO23/EQEP1I
83	GPIO24/EQEP2A
91	GPIO25/EQEP2B
99	GPIO26/EQEP2I
79	GPIO27/EQEP2S
92	SCIRXDA
4	SCIRXDB/GPIO29
6	CANRXA
7	CANRXB
100	SDA/EPWMSYNCl
5	SCL/EPWMSYNCO
43	GPIO34



Title		
Size	Number	Revision
A3		
Date:	2009-8-30	Sheet of
File:	F3电机控制资料\变频器控制板版 JDSCH02C	

C78-C81: Tantalum Chip Capacitors