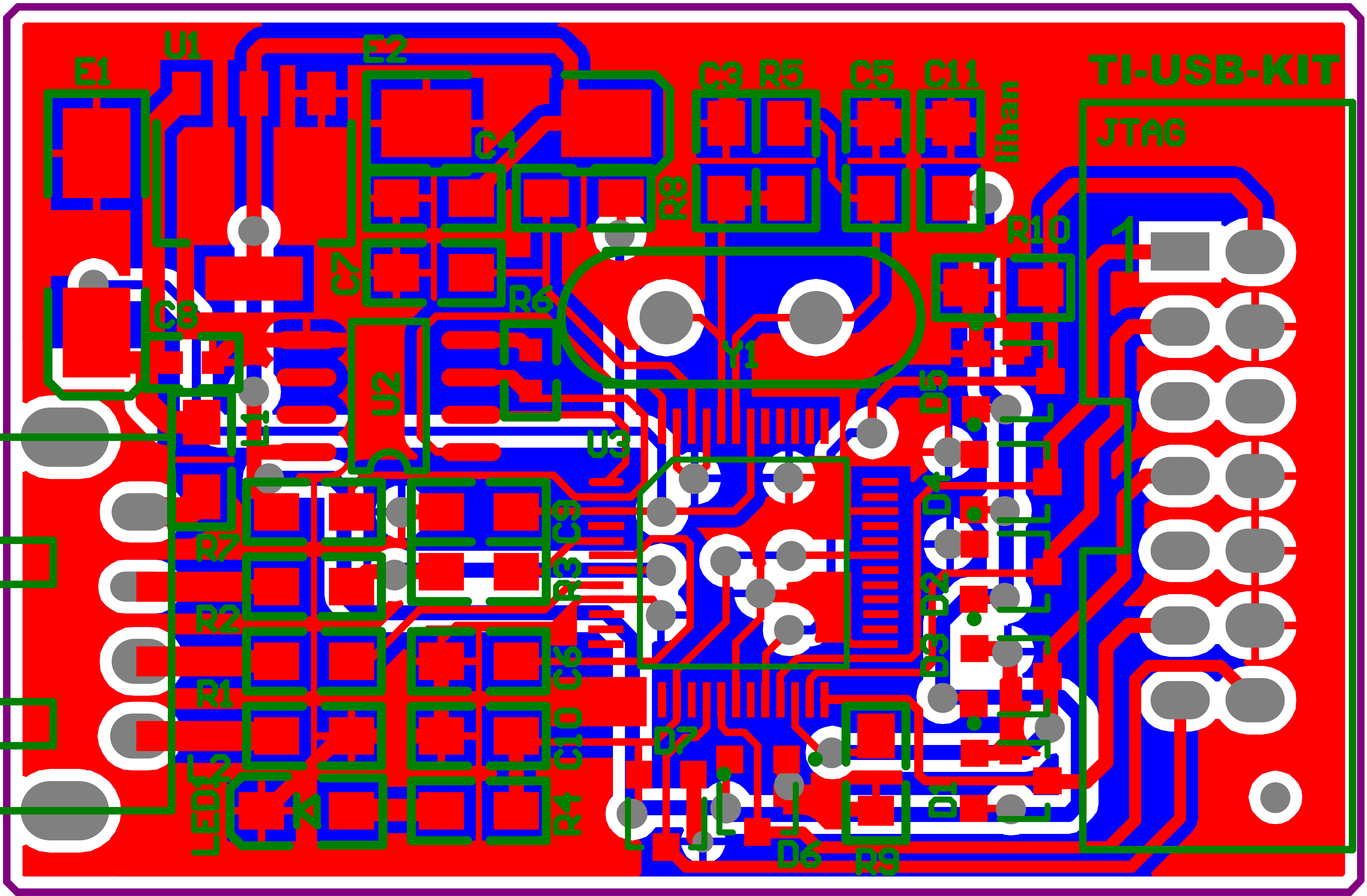
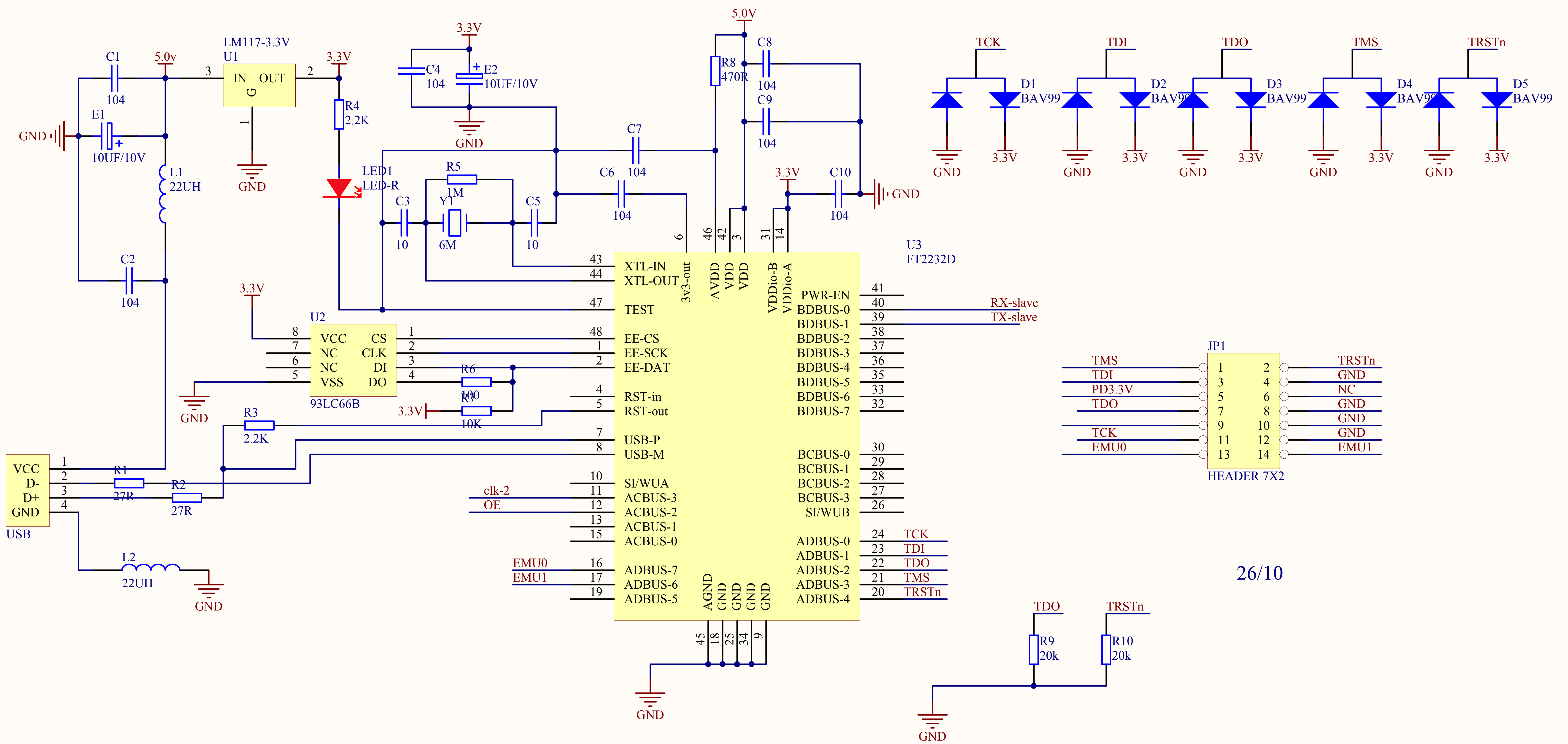


45.9 (mm)



30.125 (mm)



EMU0 EMU1 JTAG
 EMU1 JTAG

26/10

Title		
Size	Number	Revision
A4		
Date:	2009-8-7	Sheet of
File:	E:\...ti-usb-piccoloa.SchDoc	Drawn By: