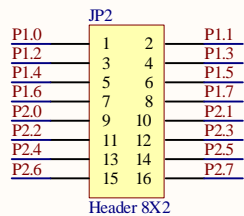
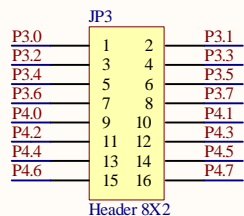


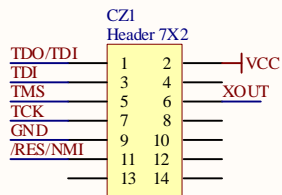
电源接口及稳压电路



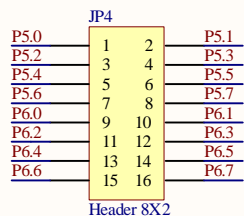
Header 8X2



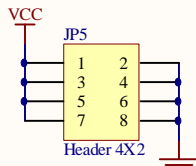
Header 8X2



Header 7X2



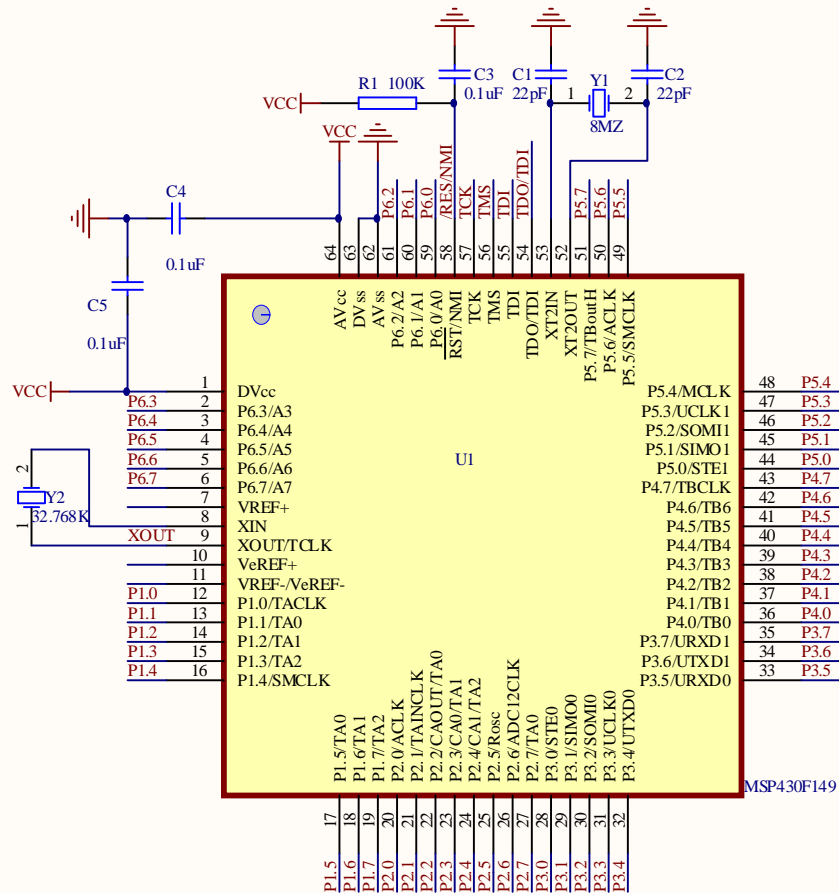
Header 8X2



Header 4X2

I/O口扩展电路

3.3V输出，外部设备电源供给



MSP430F149最小系统电路

Title		
Size	Number	Revision
A4		
Date:	2009-6-1	Sheet of
File:	E:\Work\...\MSP430F149.SchDoc	Drawn By: