

# ACCESSORY HANGER (Part No. 014-0029-00)

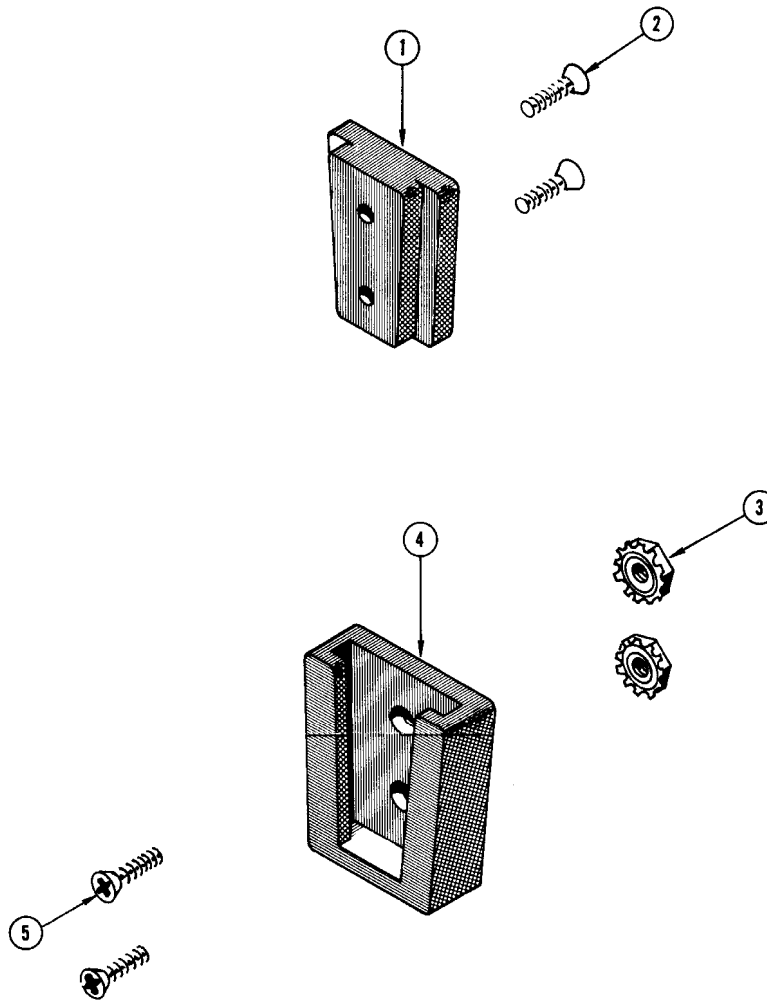


Fig. & Index No.	Tektronix Part No.	Serial/Model No.		Q	Description				
		Eff	Disc			t	y		
				1	2	3	4	5	
1	214-0717-00			1	HANGER, half (male)				
2	211-0025-00			2	SCREW, 4-40 x 3/8 inch, 100°				
	- - - - -			-	FHS, Pozi Drive				
3	210-0586-00			2	NUT, keps, 4-40 x 1/4 inch				
4	214-0718-00			1	HANGER, half (female)				
5	211-0101-00			2	SCREW, 4-40 x 1/4 inch, FHS				

**DATA SHEET**

NO. 062-0622-00

DATE Sept. 1968(R)

COPYRIGHT © 1966  
 TEKTRONIX INC.  
 ALL RIGHTS RESERVED

**014-0029-00**