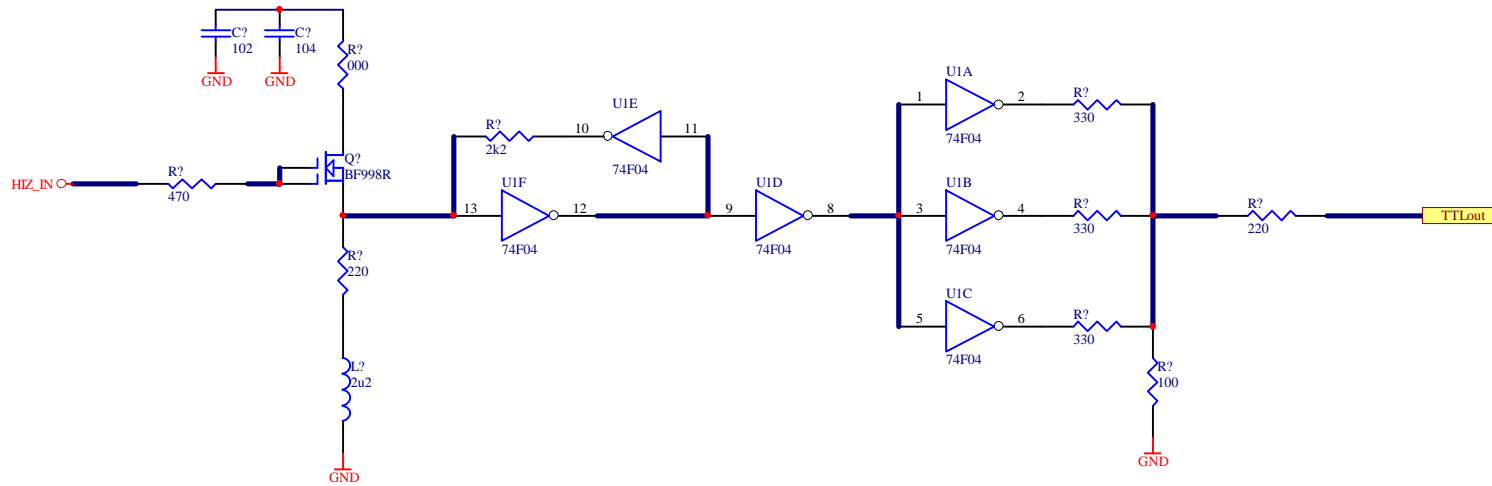


TTL IN DC-100MHz



| | | |
|-------|-------------------------------------------------------------------------------|----------------------|
| Title | | |
| Size | Number | Revision |
| A4 | | |
| Date: | 20-Jul-2009 | Sheet of HUDY |
| File: | F:\E:\PCB\2009NEW\Microwave Frequency Counter\Microwave Frequency Counter.Ddb | |