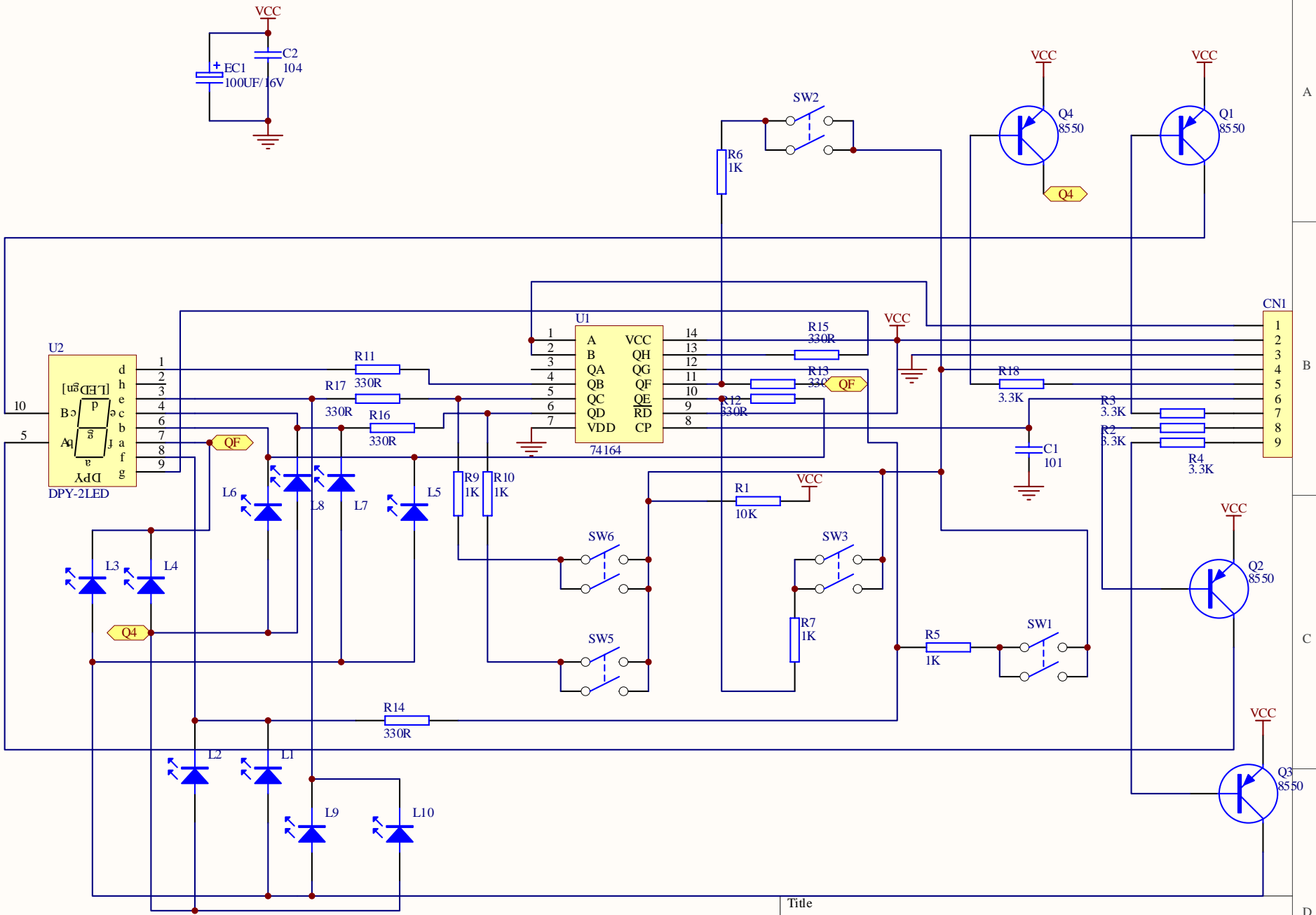


Title		
Size	Number	Revision
B		
Date:	2006-2-16	Sheet of
File:	E:\My Documents\Adobe\Sheet1.Sch	Drawn By:



Title		
Size	Number	Revision
A		
Date:	2006-2-16	Sheet of
File:	E:\My Documents\Adobe\Sheet2.Sch	Drawn By: