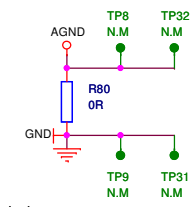
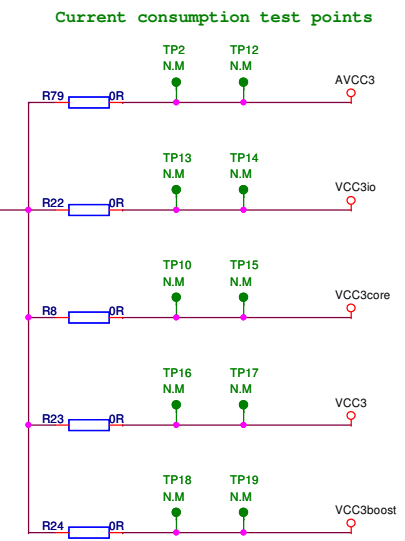
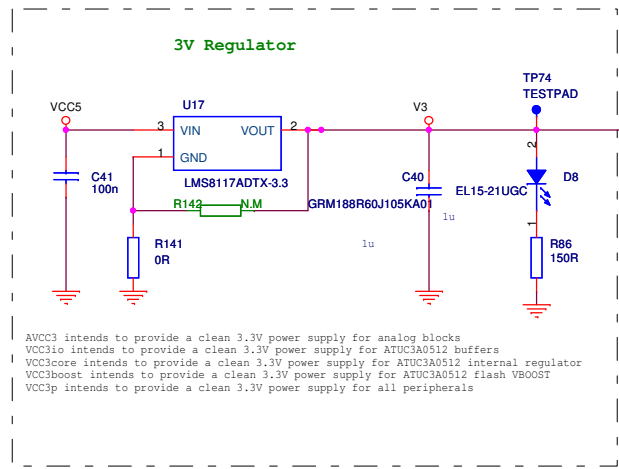
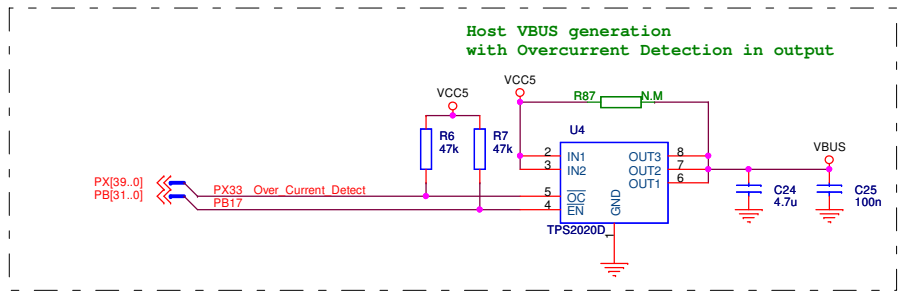
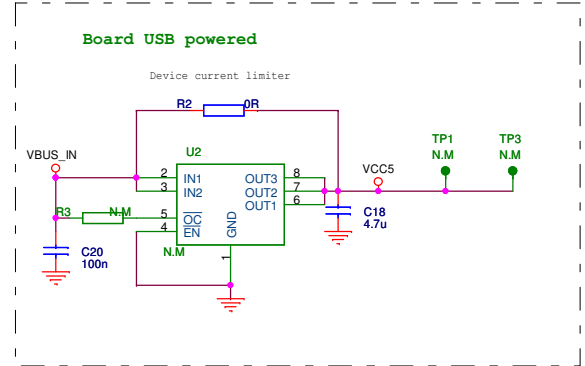
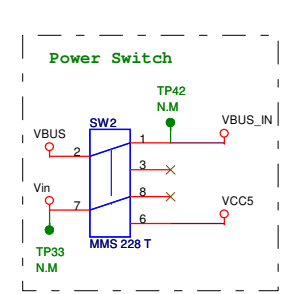
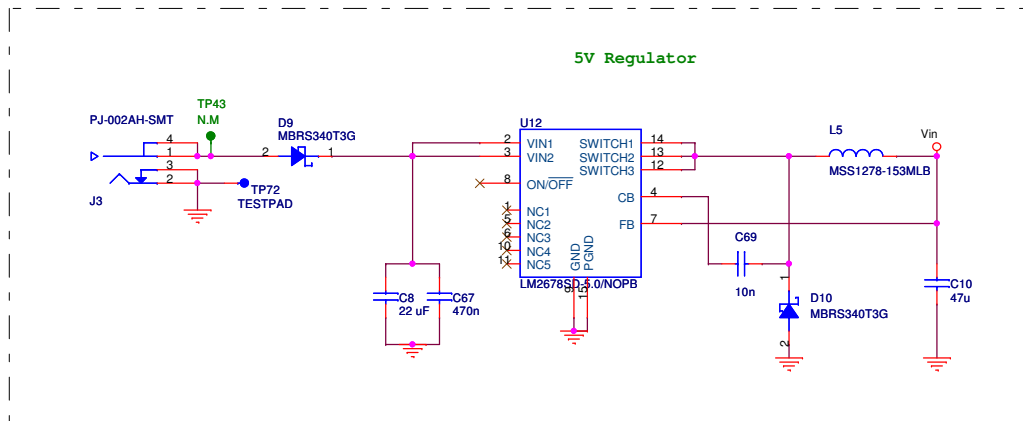


NM : Not Mounted

bom-MassProduction

ATMEL Nantes SA  
La Chantrerie BP 70602  
44306 Nantes Cedex 3  
FRANCE

Title	EVK1100		Rev	C
Size	Document Number	Processor		
A3				
Date:	Thursday, February 22, 2007	Sheet	1	of 12

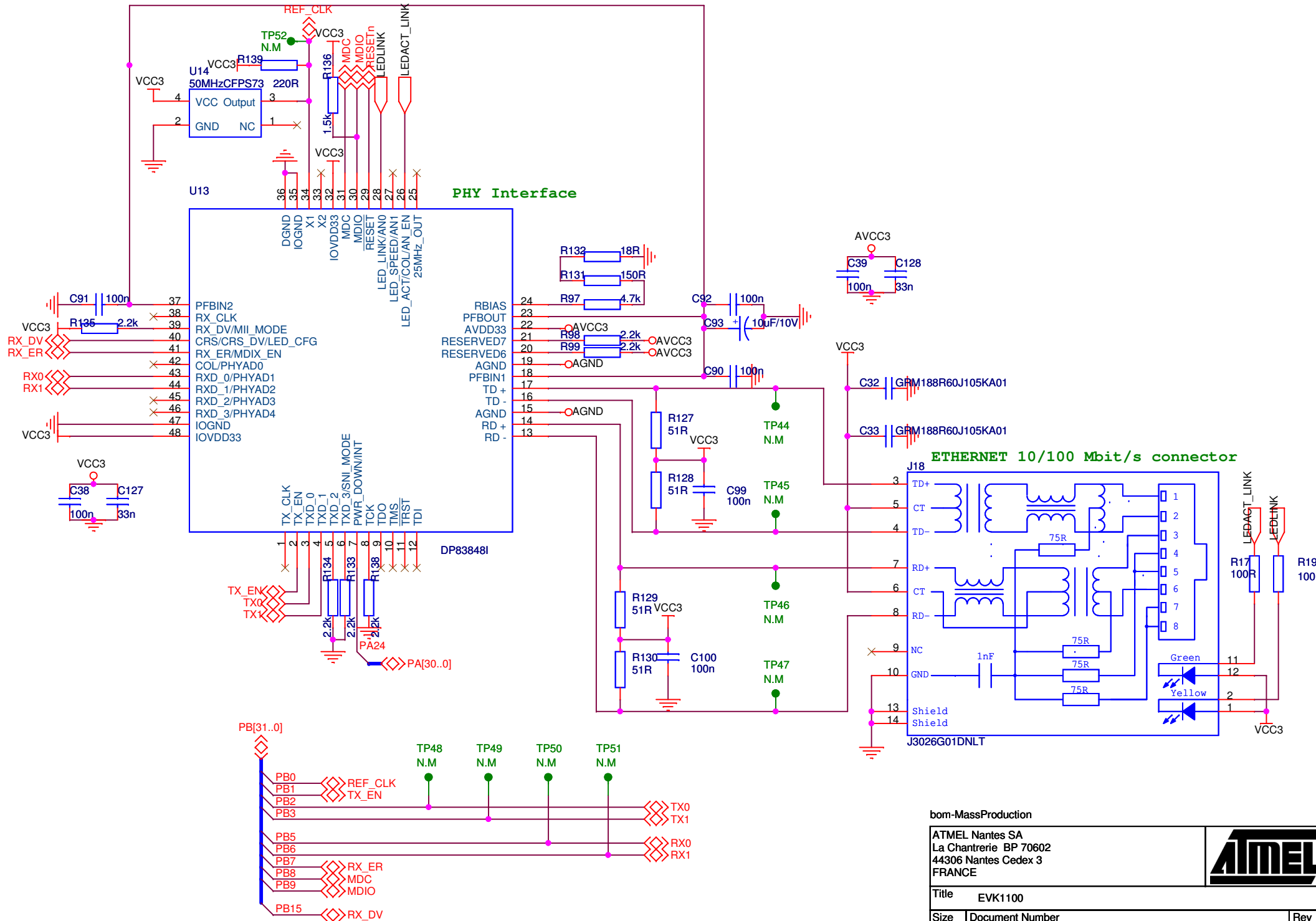


NM : Not Mounted

bom-MassProduction

ATMEL Nantes SA  
La Chantrerie BP 70602  
44306 Nantes Cedex 3  
FRANCE

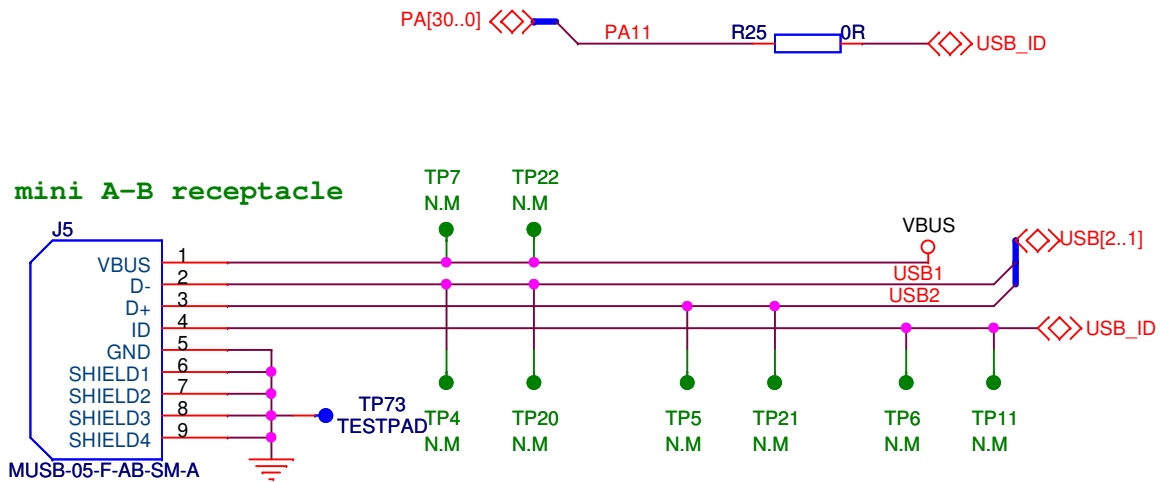
Title	EVK1100		Rev	c
Size	Document Number	Power Supply		
A3				
Date:	Thursday, February 22, 2007	Sheet	2	of 12



NM : Not Mounted

bom-MassProduction		
ATMEL Nantes SA La Chanterrie BP 70602 44306 Nantes Cedex 3 FRANCE		
Title	EVK1100	
Size A4	Document Number	Rev C
Date: Thursday, February 22, 2007		Ethernet
Sheet 3 of 12		

USB 2.0 mini A-B receptacle



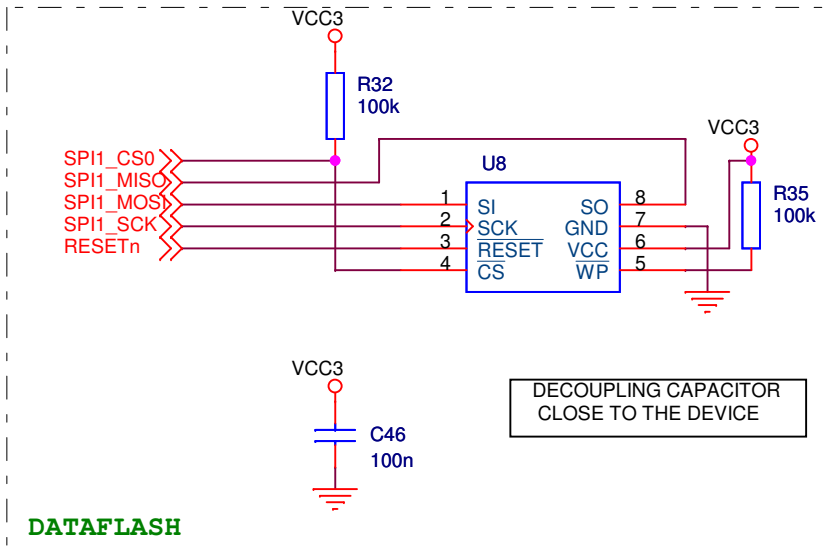
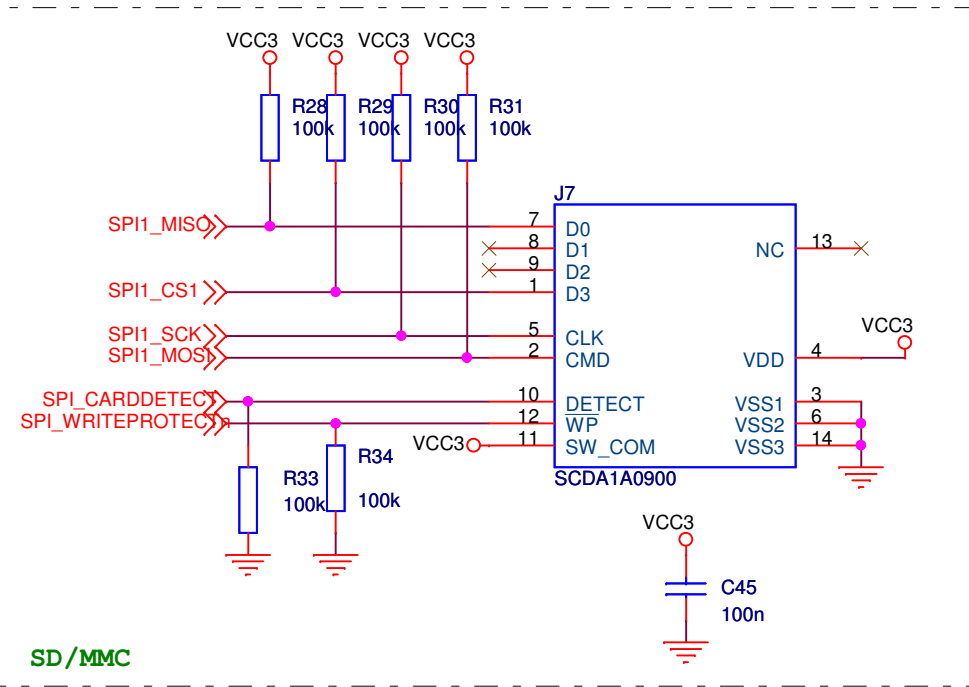
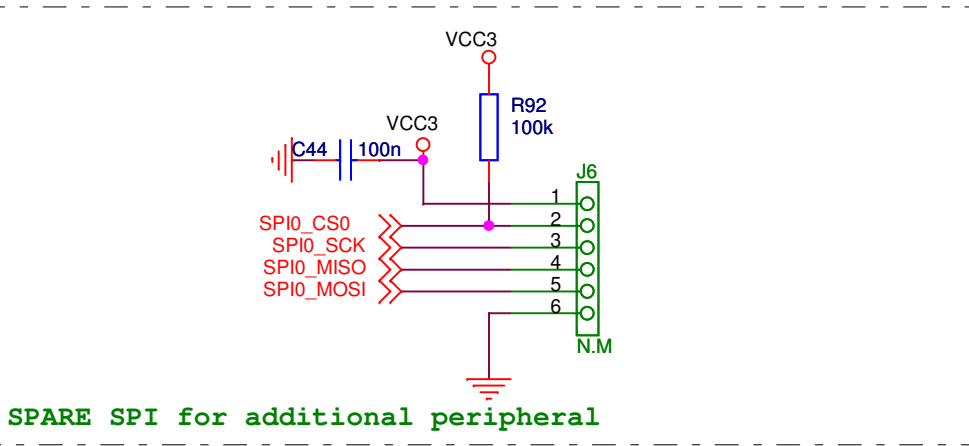
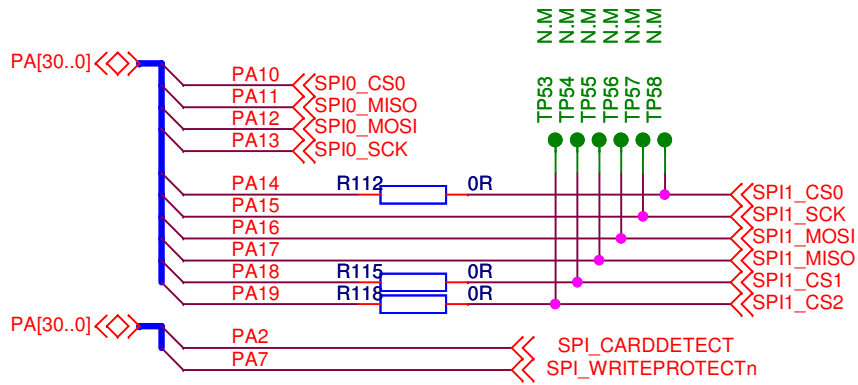
NM : Not Mounted

bom-MassProduction

ATMEL Nantes SA  
 La Chantrerie BP 70602  
 44306 Nantes Cedex 3  
 FRANCE



Title		EVK1100	
Size	Document Number	Rev	
A	USB	C	
Date:	Thursday, February 22, 2007	Sheet	4 of 12



NM : Not Mounted

bom-MassProduction

ATMEL Nantes SA  
 La Chantrerie BP 70602  
 44306 Nantes Cedex 3  
 FRANCE



Title EVK1100

Size A

Document Number

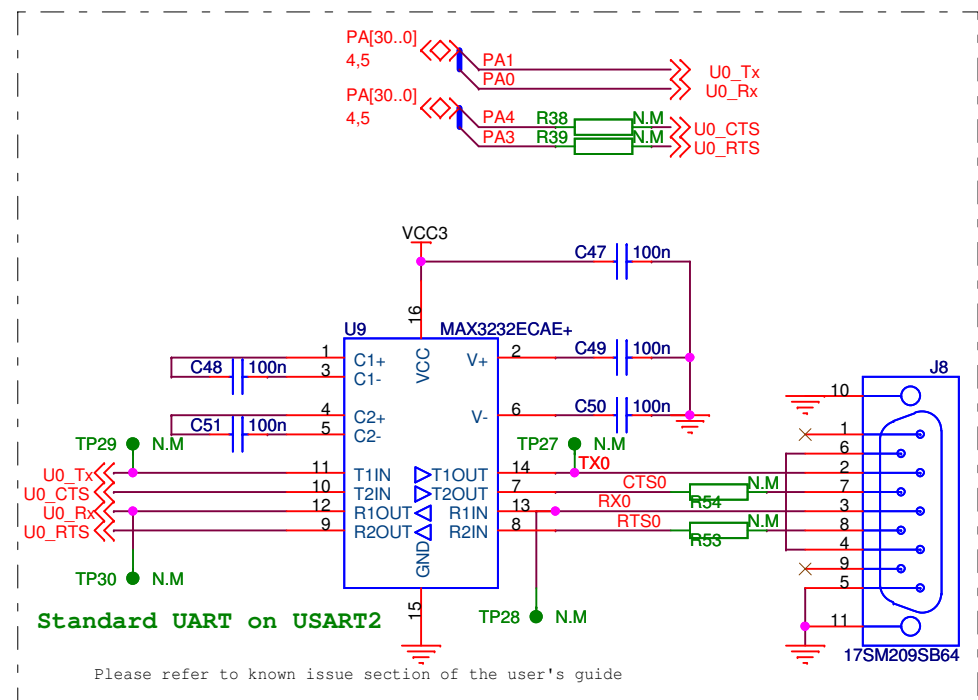
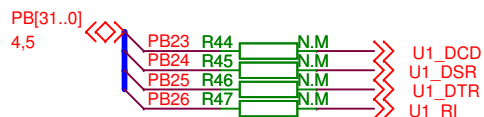
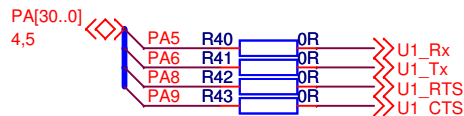
SPI peripherals

Rev C

Date: Thursday, February 22, 2007 Sheet 5 of 12

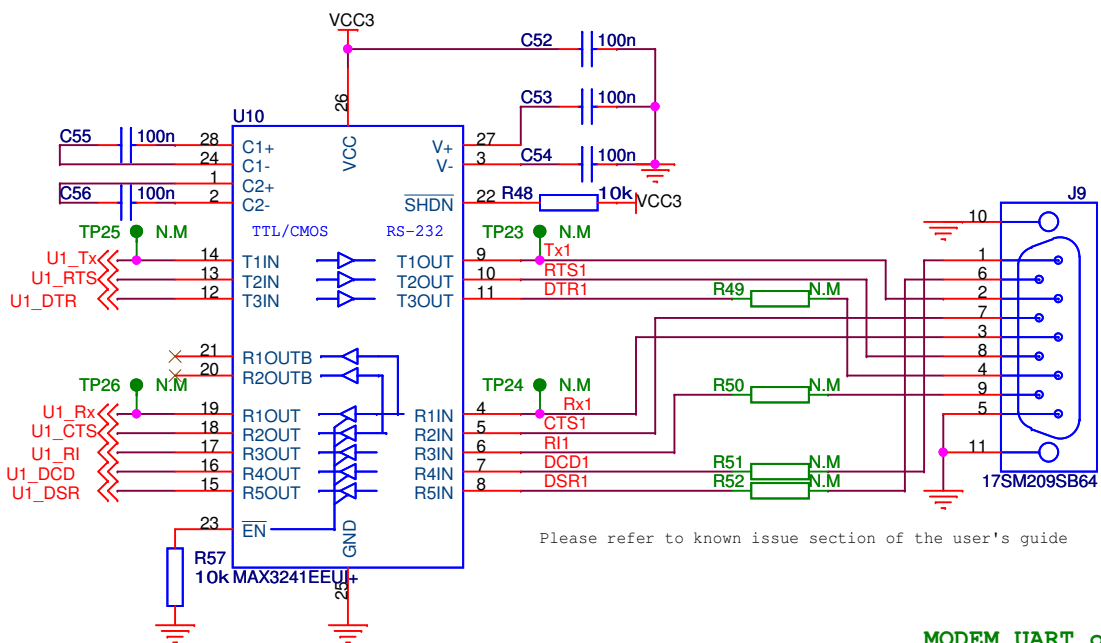
Pin Direction Signal

1	Input	DCD	Data Carrier Detect
2	Input	RXD	Received Data
3	Output	TXD	Transmitted Data
4	Output	DTR	Data Terminal Ready
5			Signal Ground
6	Input	DSR	Data Set Ready
7	Output	RTS	Request To Send
8	Input	CTS	Clear To Send
9	Input	RI	Ring Indicator



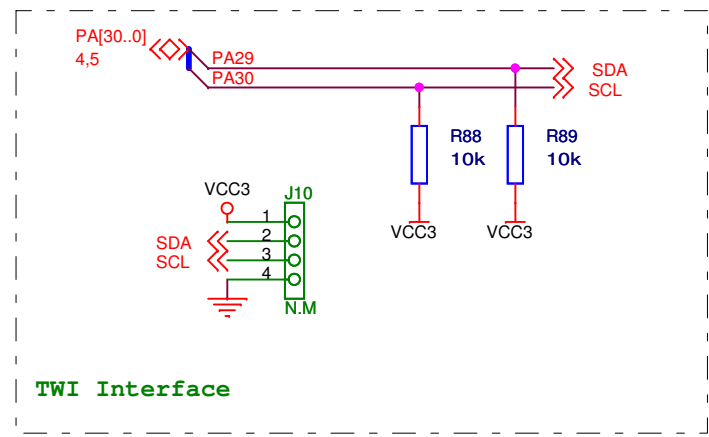
Standard UART on USART2

Please refer to known issue section of the user's guide



MODEM UART on USART1

Please refer to known issue section of the user's guide



TWI Interface

bom-MassProduction

ATMEL Nantes SA  
La Chanterrie BP 70602  
44306 Nantes Cedex 3  
FRANCE



Title EVK1100

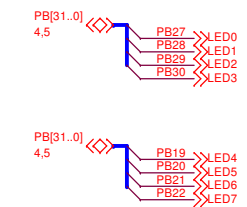
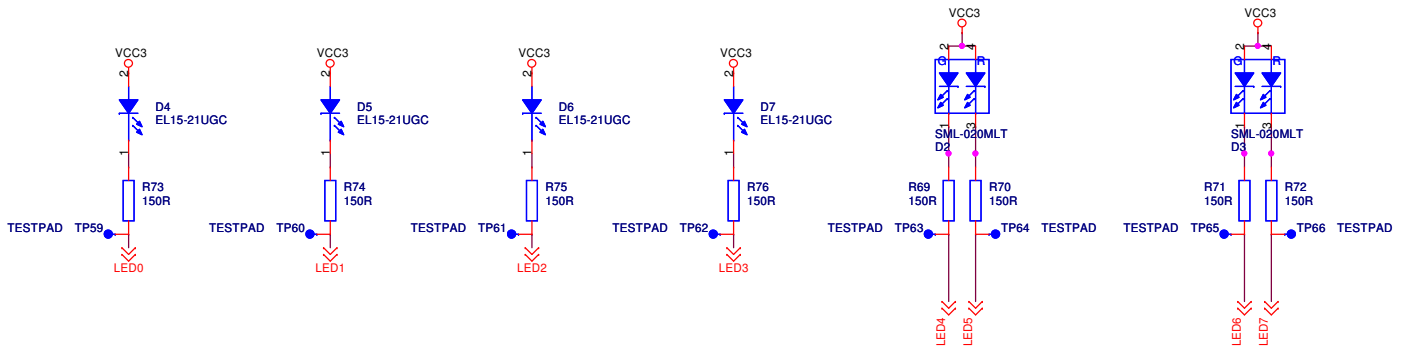
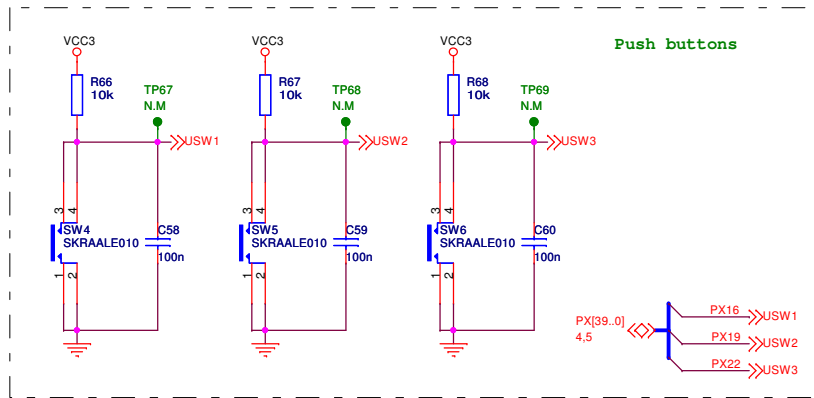
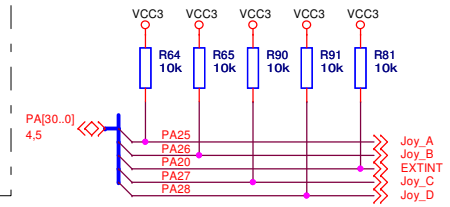
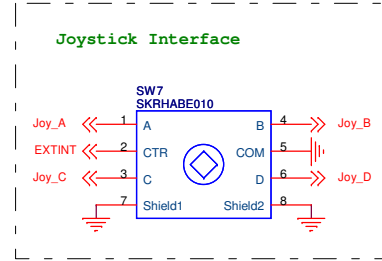
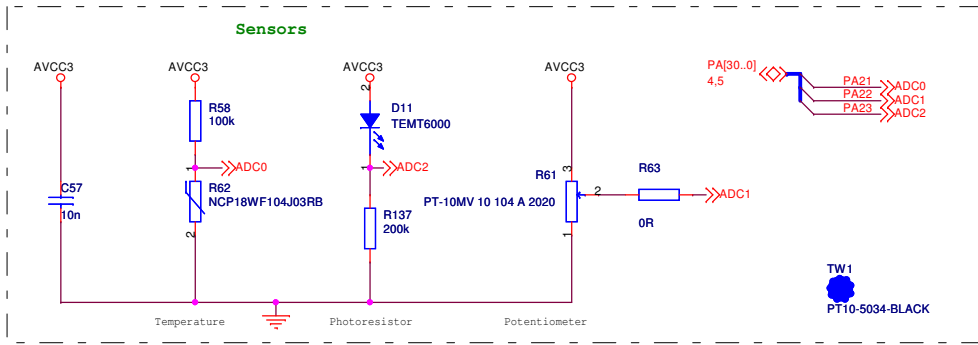
Size A4 Document Number

USARTs and TWI interfaces

Rev C

Date: Thursday, February 22, 2007 Sheet 6 of 12

NM : Not Mounted



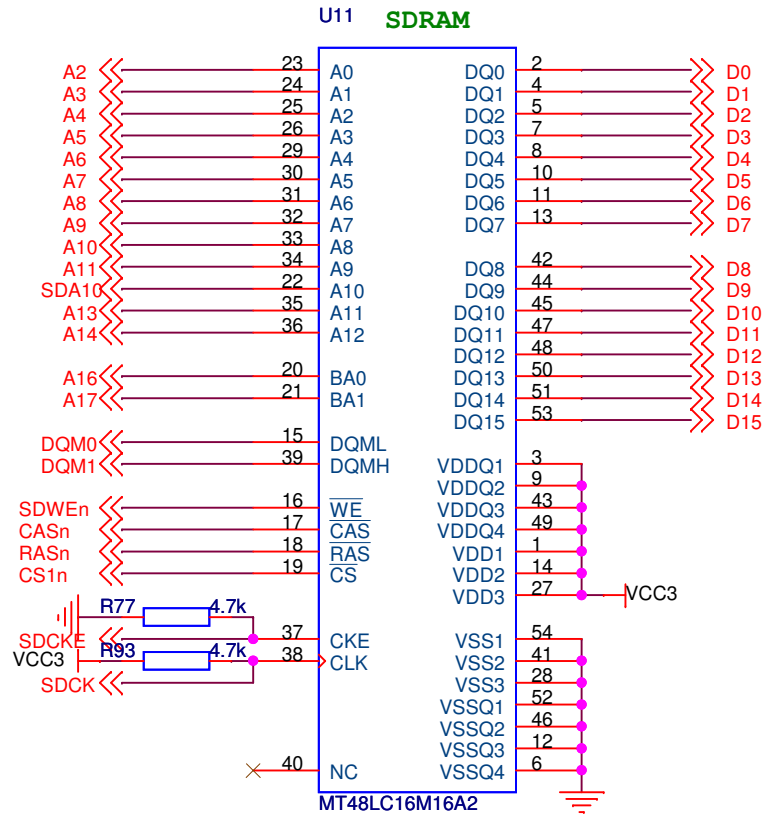
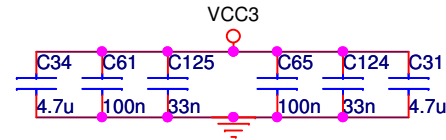
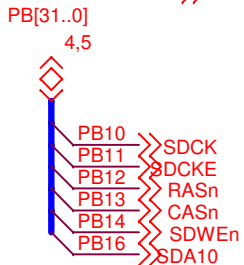
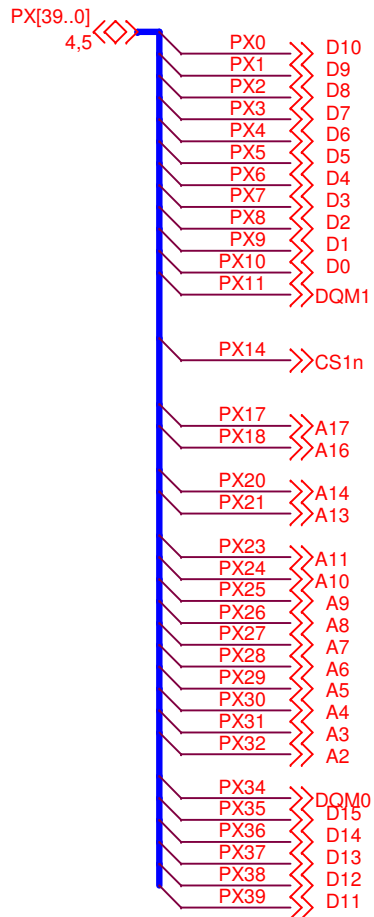
Bicolore Leds on PB bus : LED4, LED5, LED6 & LED7 on PWM channels

NM : Not Mounted

bom-MassProduction

ATMEL Nantes SA  
La Chantrie BP 70602  
44306 Nantes Cedex 3  
FRANCE

Title		EVK1100	
Size	Document Number	User inputs and outputs	Rev
A3			C
Date:	Thursday, February 22, 2007	Sheet	7 of 12



bom-MassProduction

ATMEL Nantes SA  
La Chantrerie BP 70602  
44306 Nantes Cedex 3  
FRANCE



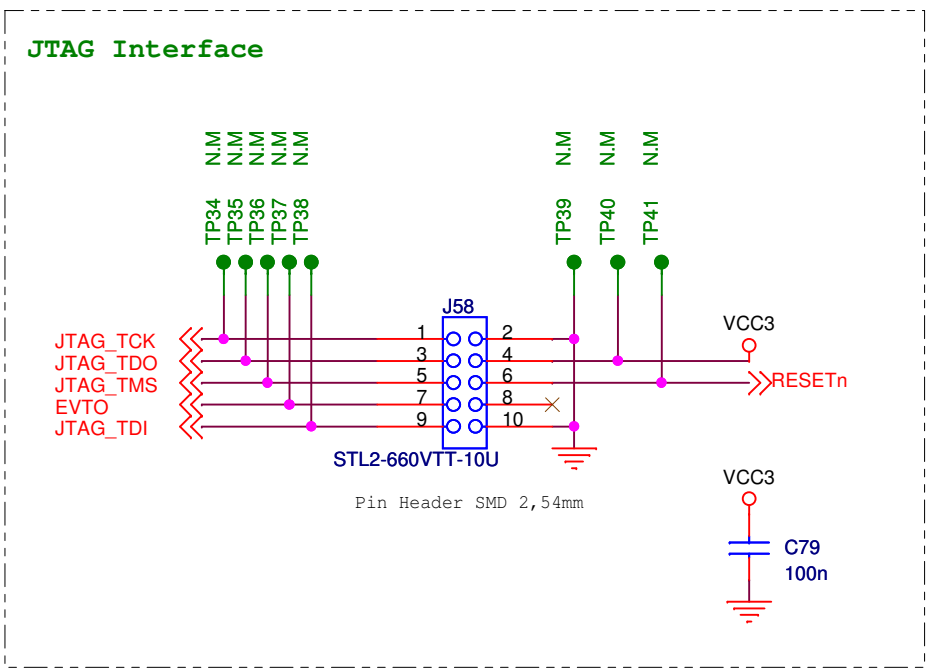
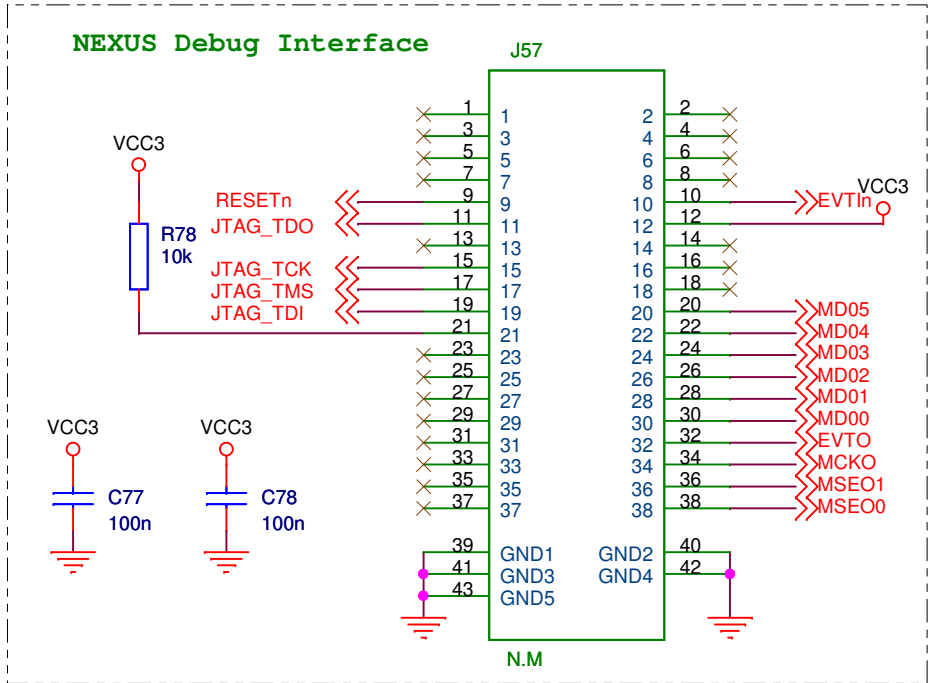
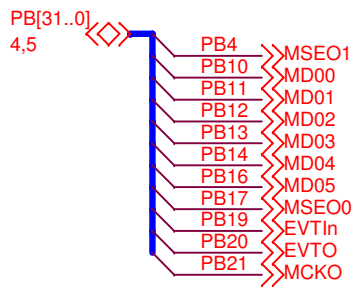
Title EVK1100

Size A	Document Number	SDRAM	Rev C
--------	-----------------	-------	-------

Date: Thursday, February 22, 2007 Sheet 8 of 12

NM : Not Mounted





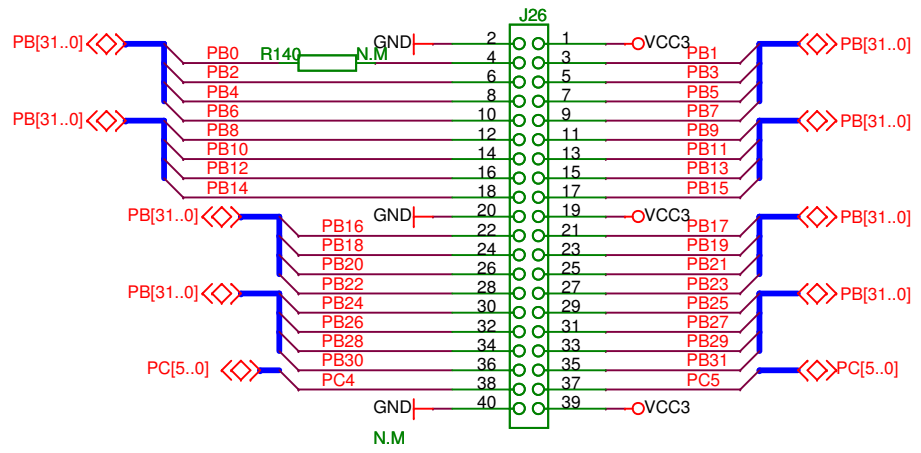
bom-MassProduction

ATMEL Nantes SA  
 La Chantrerie BP 70602  
 44306 Nantes Cedex 3  
 FRANCE

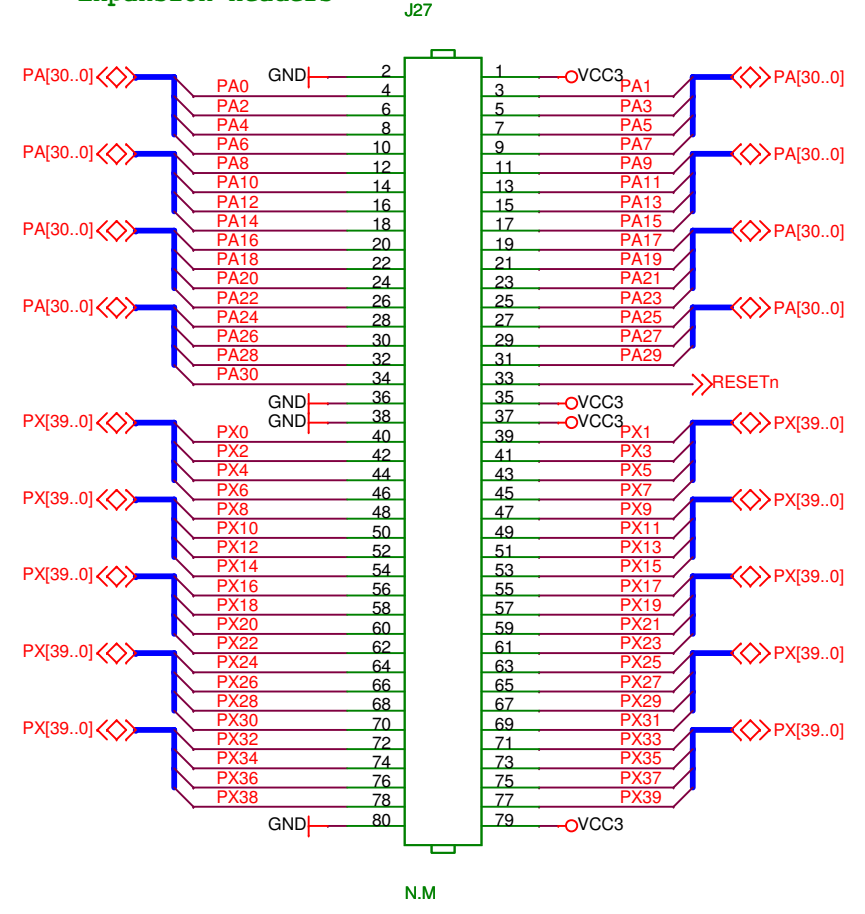


Title		EVK1100	
Size	Document Number	Debug interfaces	
A			Rev C
Date:	Thursday, February 22, 2007	Sheet	9 of 12

NM : Not Mounted



Expansion headers



NM : Not Mounted

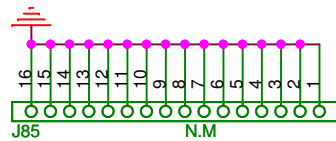
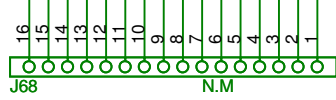
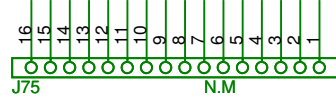
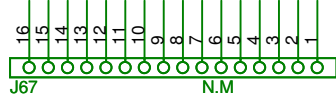
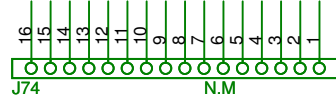
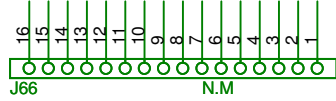
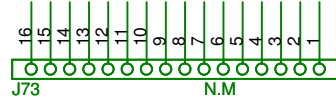
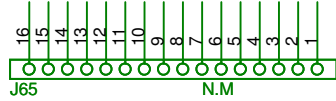
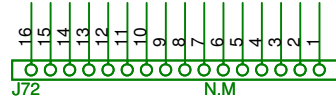
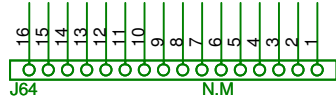
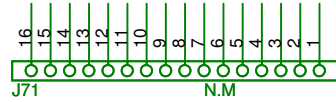
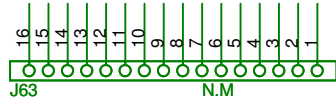
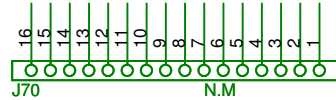
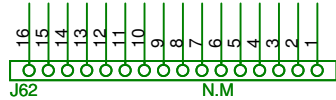
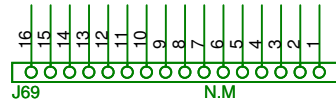
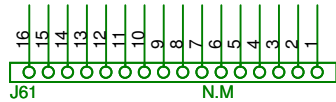
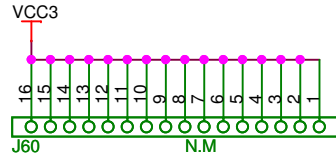
bom-MassProduction

ATMEL Nantes SA  
 La Chantrerie BP 70602  
 44306 Nantes Cedex 3  
 FRANCE



Title		EVK1100	
Size	Document Number	Expansion headers	
A4			Rev C
Date:	Thursday, February 22, 2007	Sheet	10 of 12

24 lines of array  
 + 1 line of VCC  
 + 1 line of VSS



E13  
SJ-5076



E12  
SJ-5076



E11  
SJ-5076



E10  
SJ-5076

E3



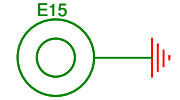
N.M



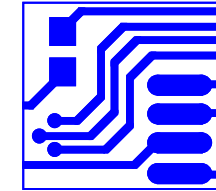
N.M



N.M



PCB1



A0609.3.1000.B

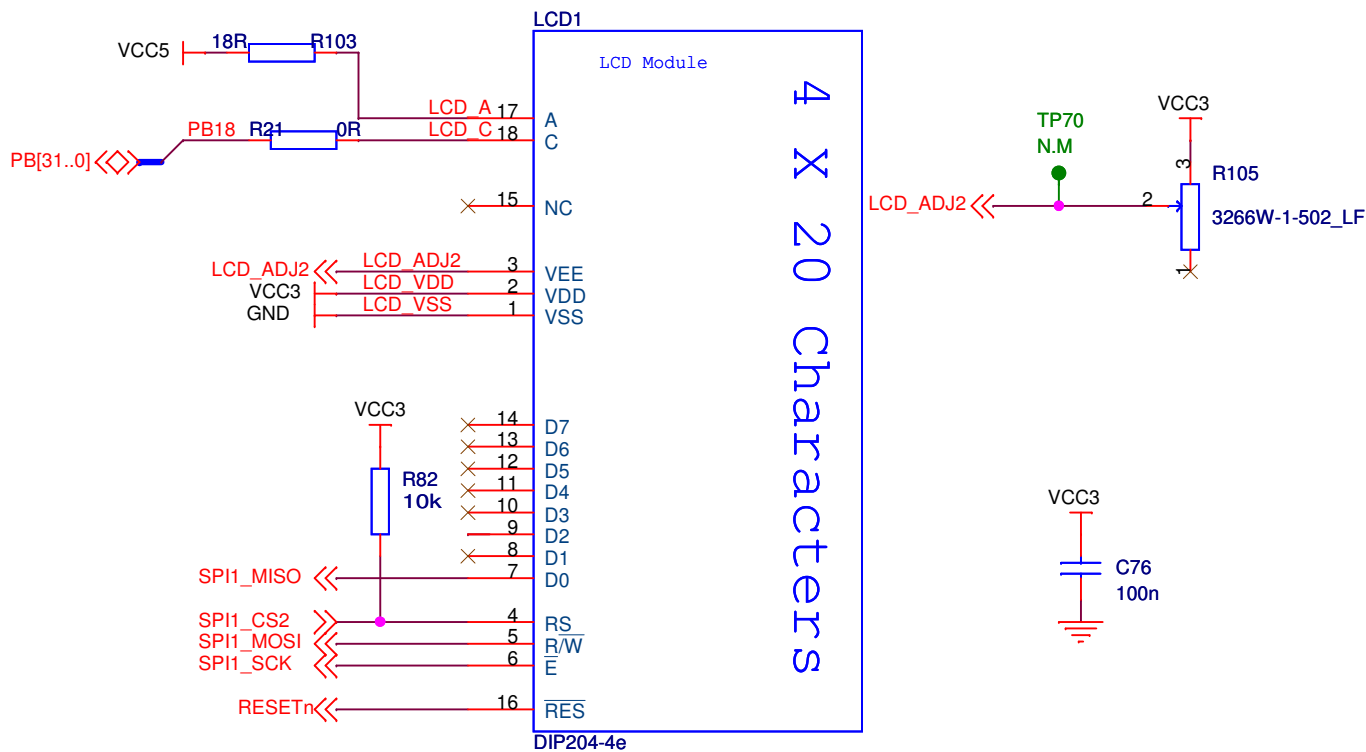
ATMEL Nantes SA  
 La Chantrerie BP 70602  
 44306 Nantes Cedex 3  
 FRANCE



Title		EVK1100	
Size	Document Number	Prototyping area	Rev
A4			C
Date:	Thursday, February 22, 2007	Sheet	11 of 12

NM : Not Mounted

EA-DIP204-4 Blue white LCD  
KS0073 controller



NM : Not Mounted

bom-MassProduction

ATMEL Nantes SA  
La Chantrerie BP 70602  
44306 Nantes Cedex 3  
FRANCE



Title		EVK1100	
Size A	Document Number	LCD	
		Rev C	
Date:	Thursday, February 22, 2007	Sheet 12 of 12	