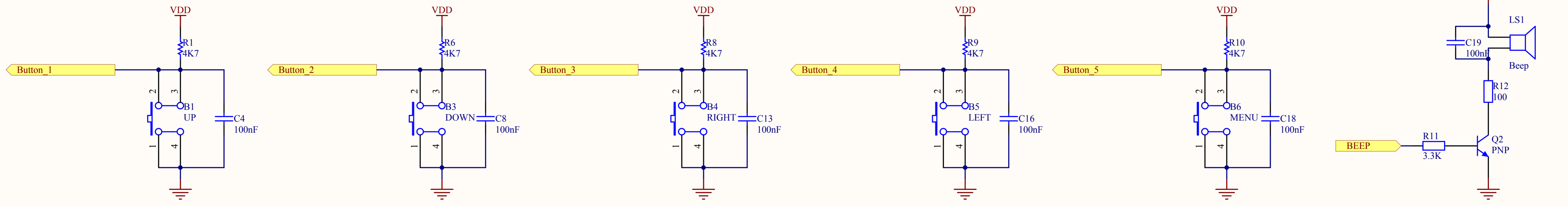
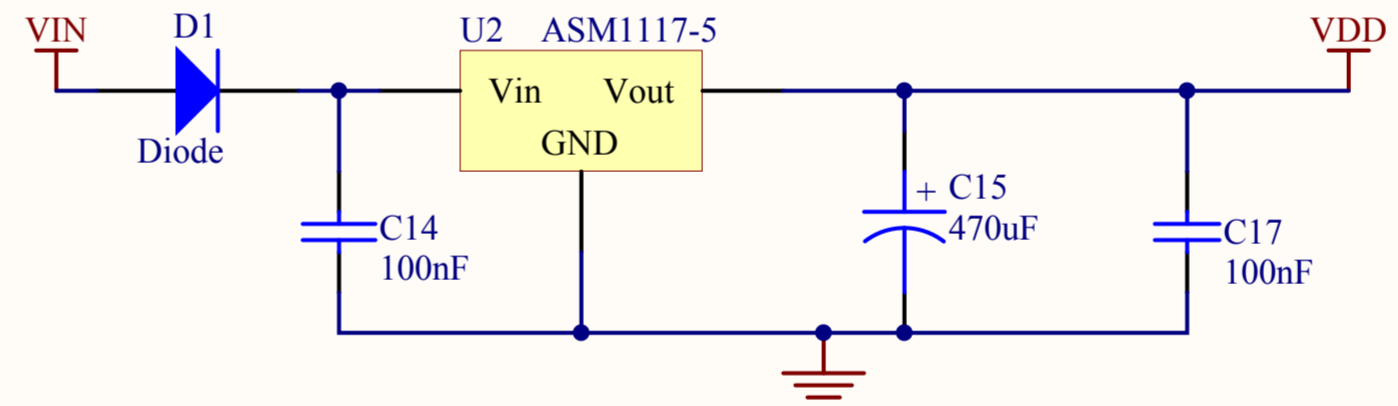
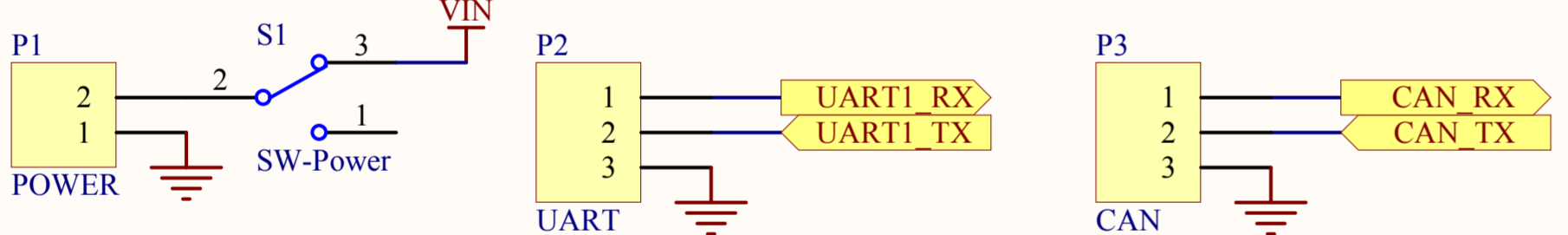
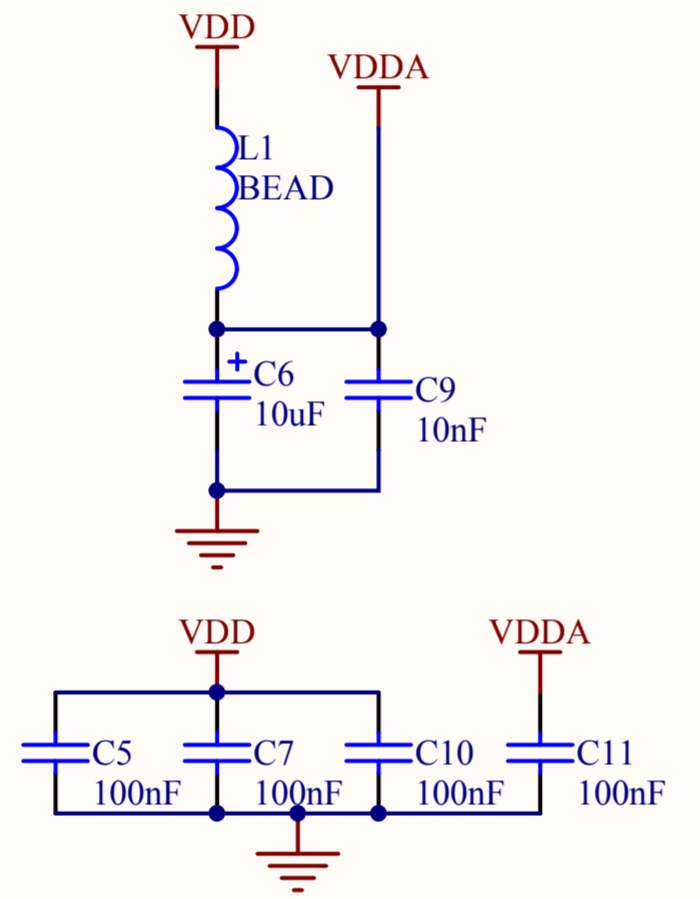
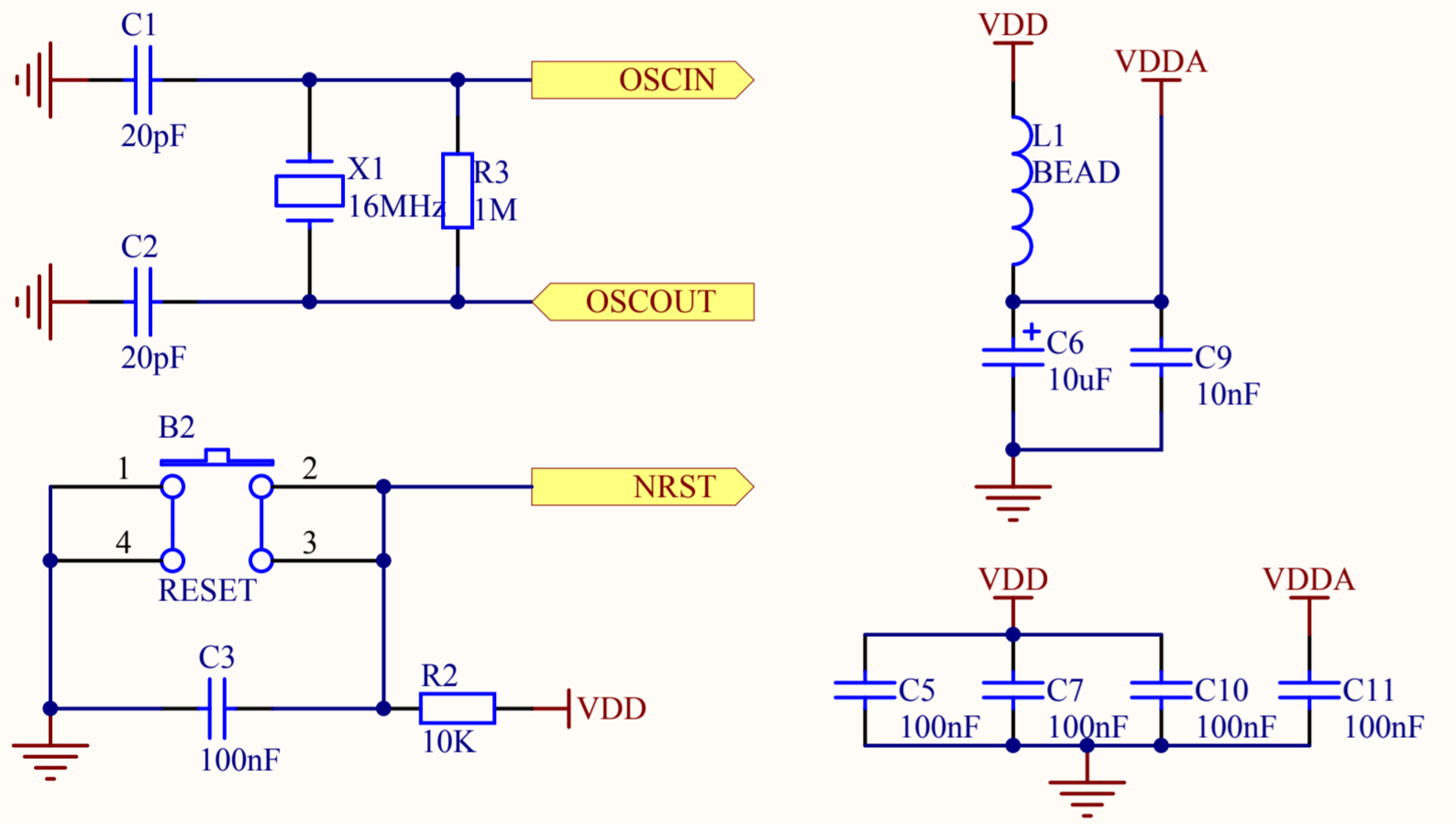
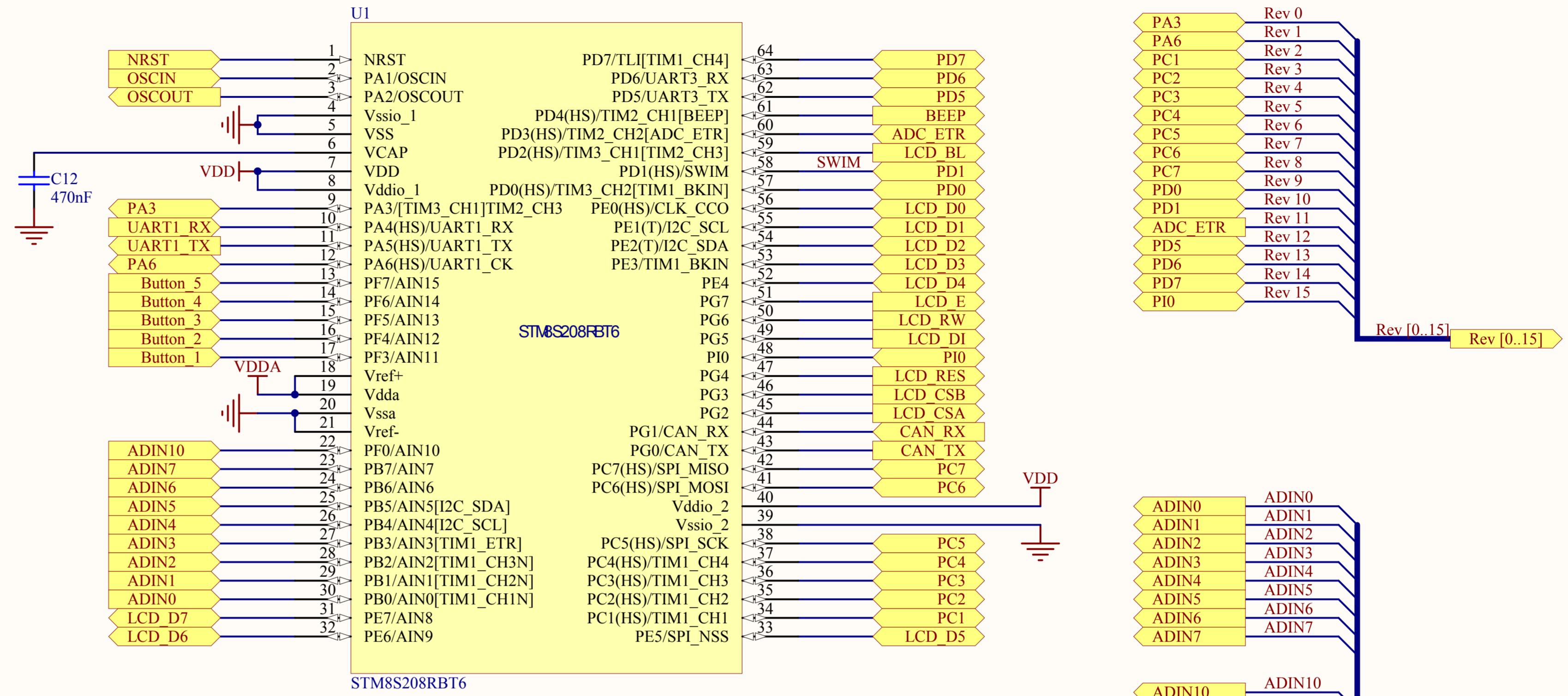
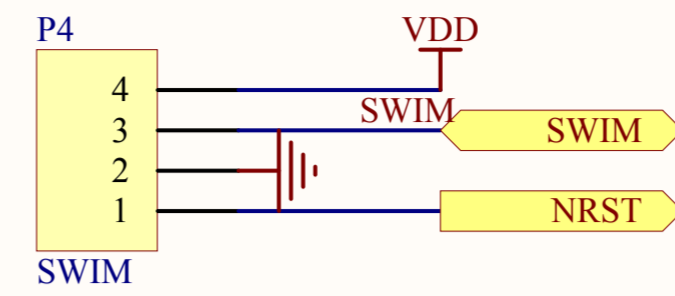
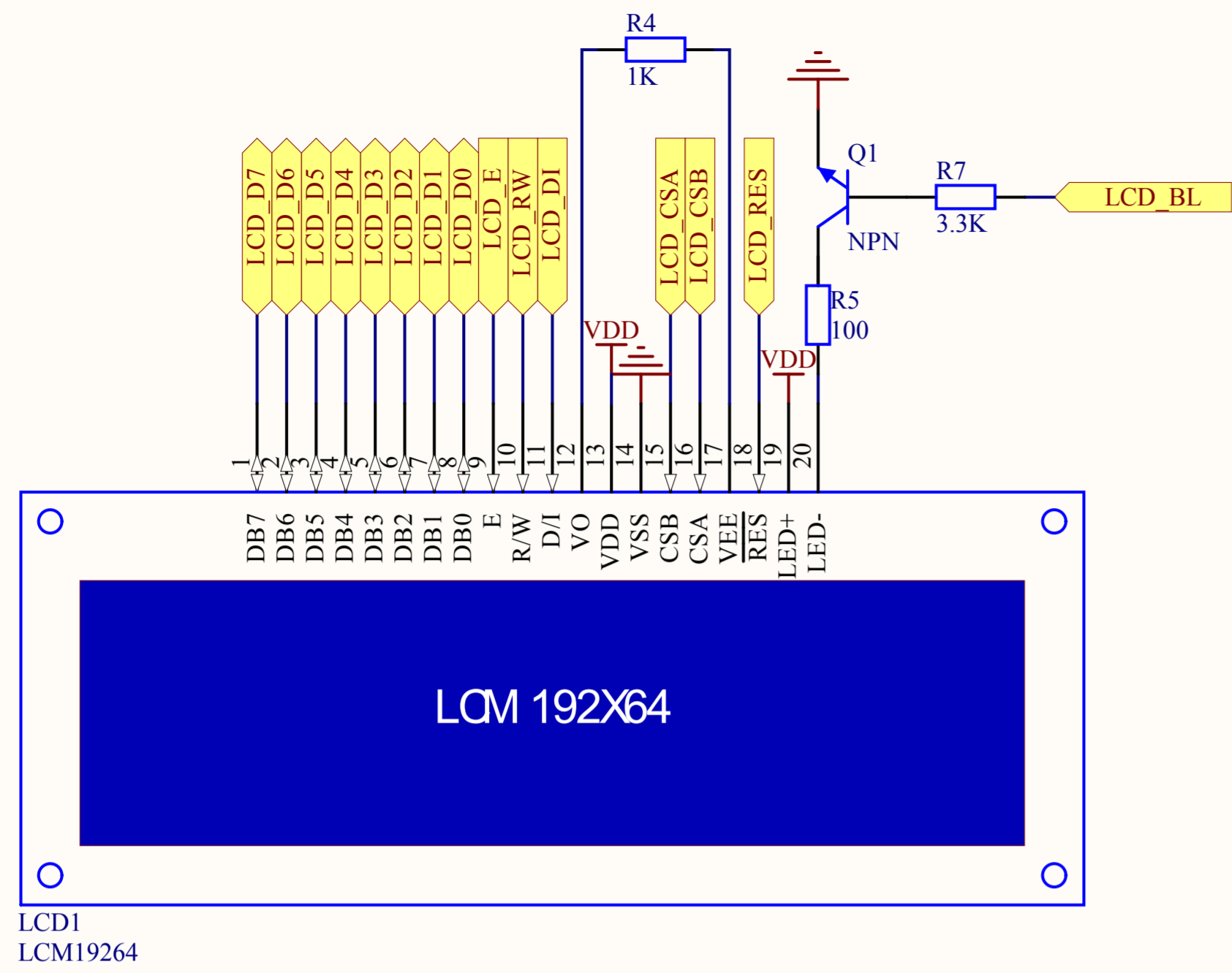


NOTE 1. 元件具体参数待定
2. 电源部分还没有考虑

Title		
Anal og Part		
Size	Number	Revision
A3		V 0.1
Date:	2009-3-30	Sheet of 2/2
File:	C:\Documents and Settings\...\Analog Part.SchDoc By: www.ourdev.cn	



Title		
Digital Part		
Size	Number	Revision
A3		V 0.1
Date:	2009-3-30	Sheet of 1/2
File:	C:\Documents and Settings\... \Digital Part.SchDoc By: www.ourdev.cn	