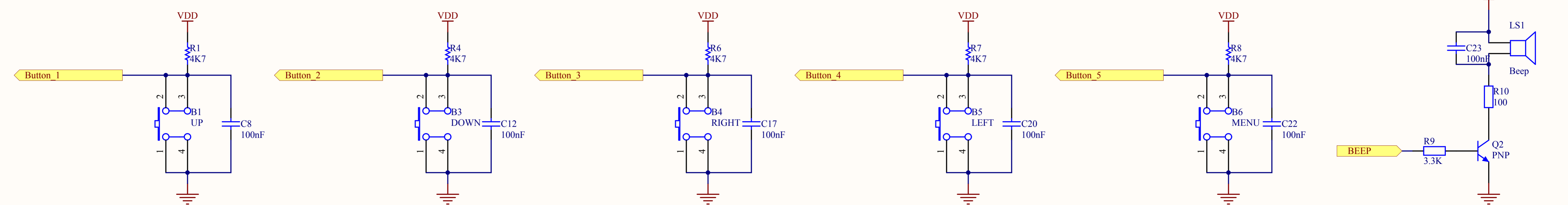
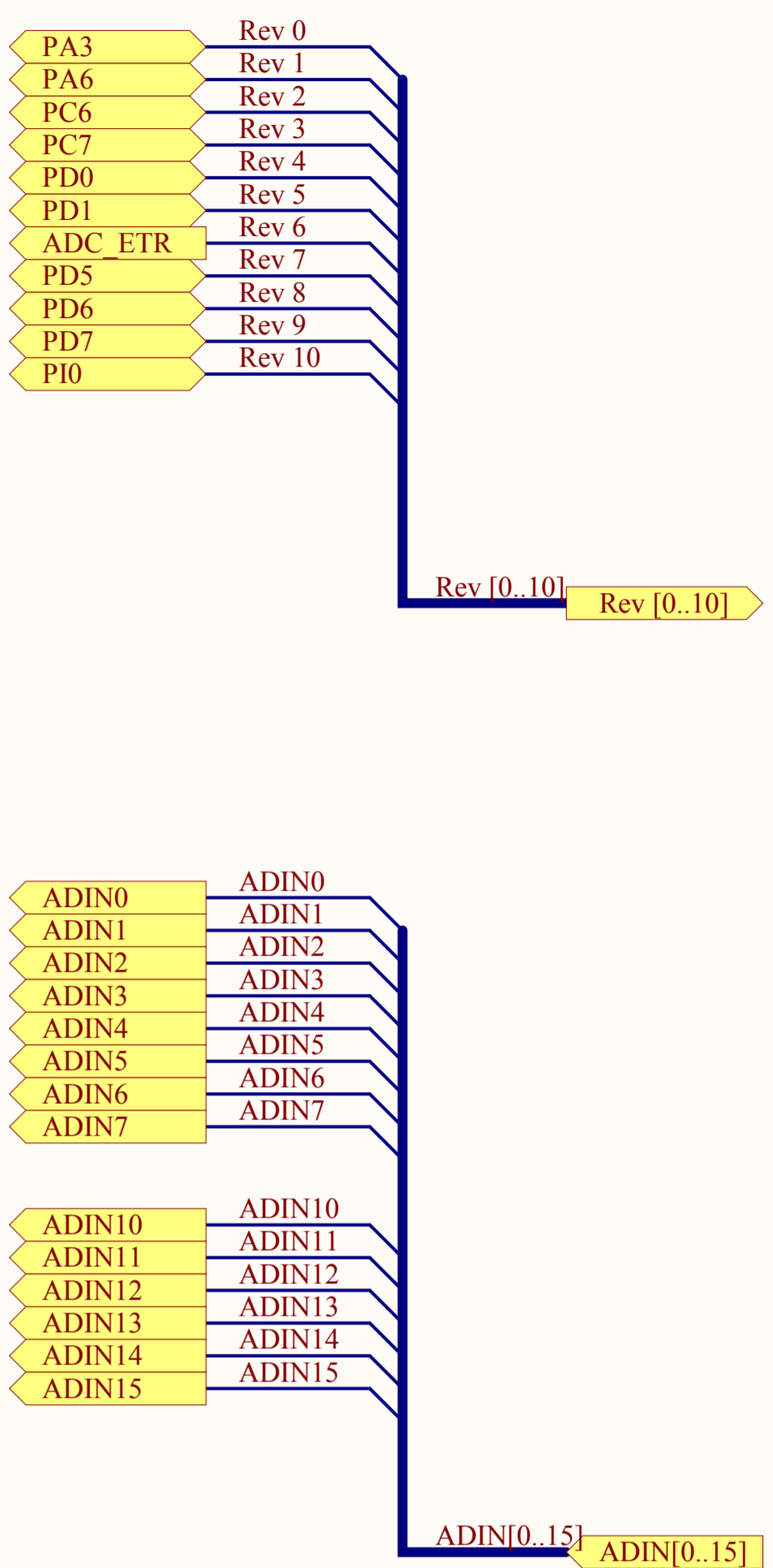
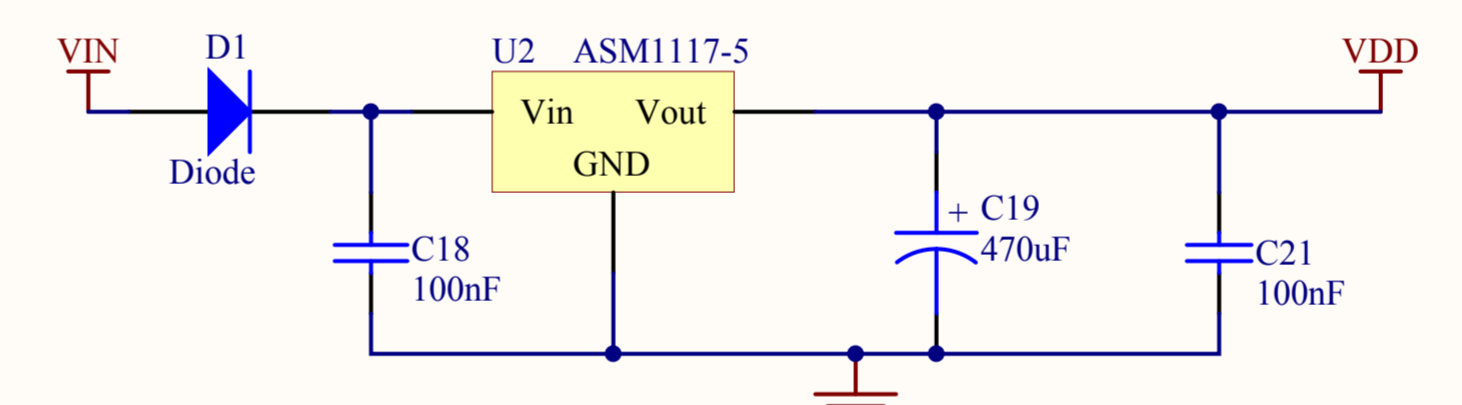
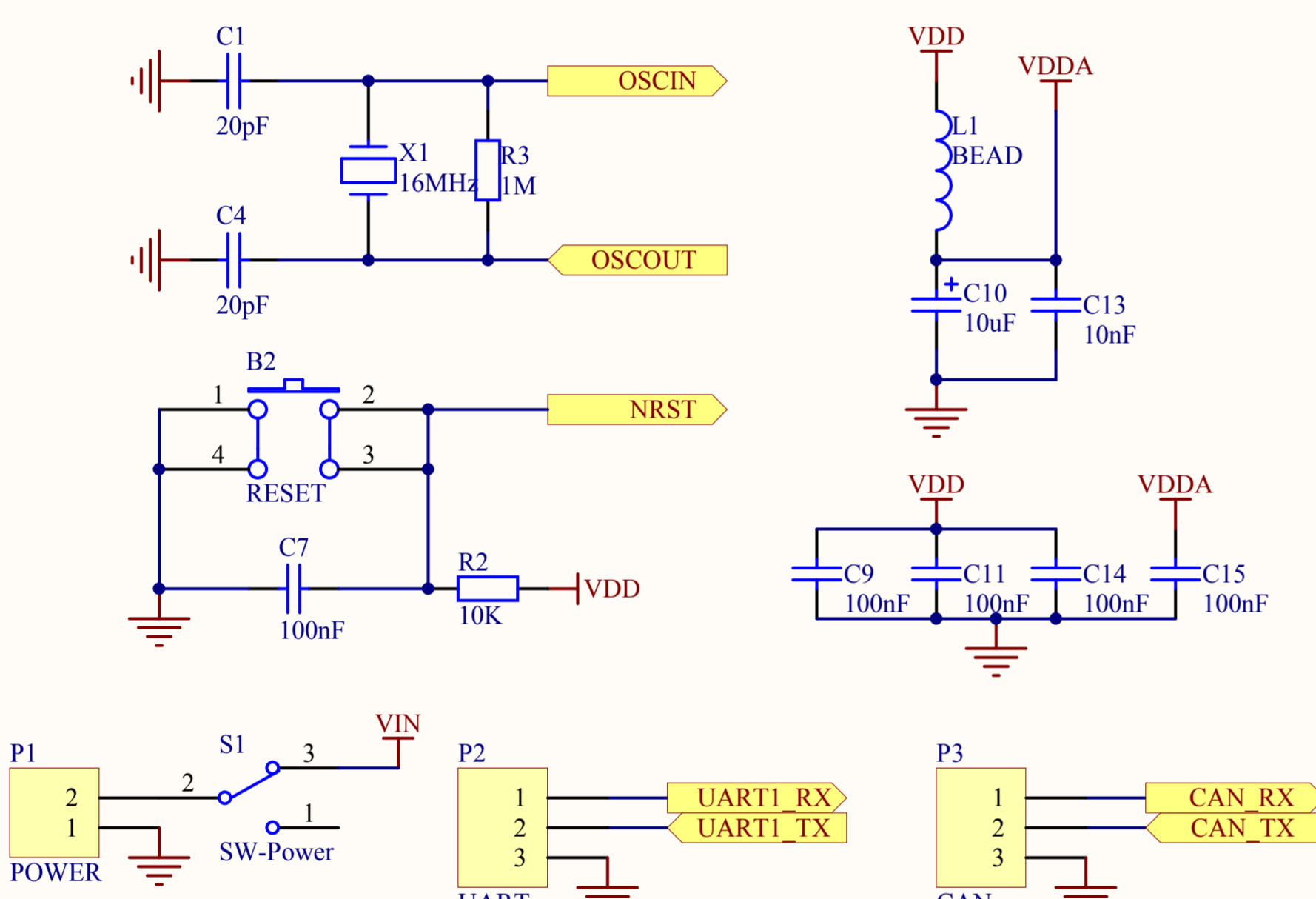
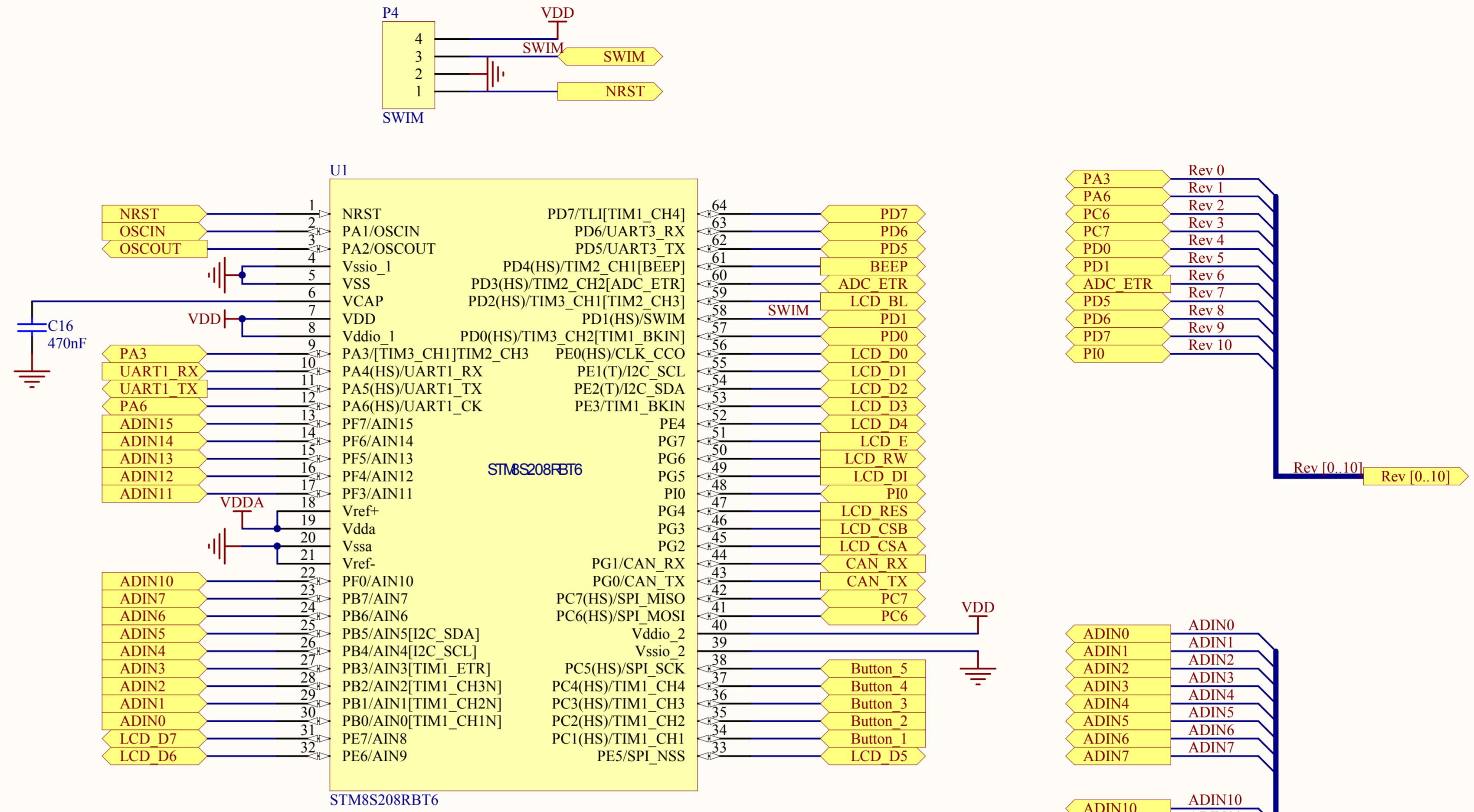
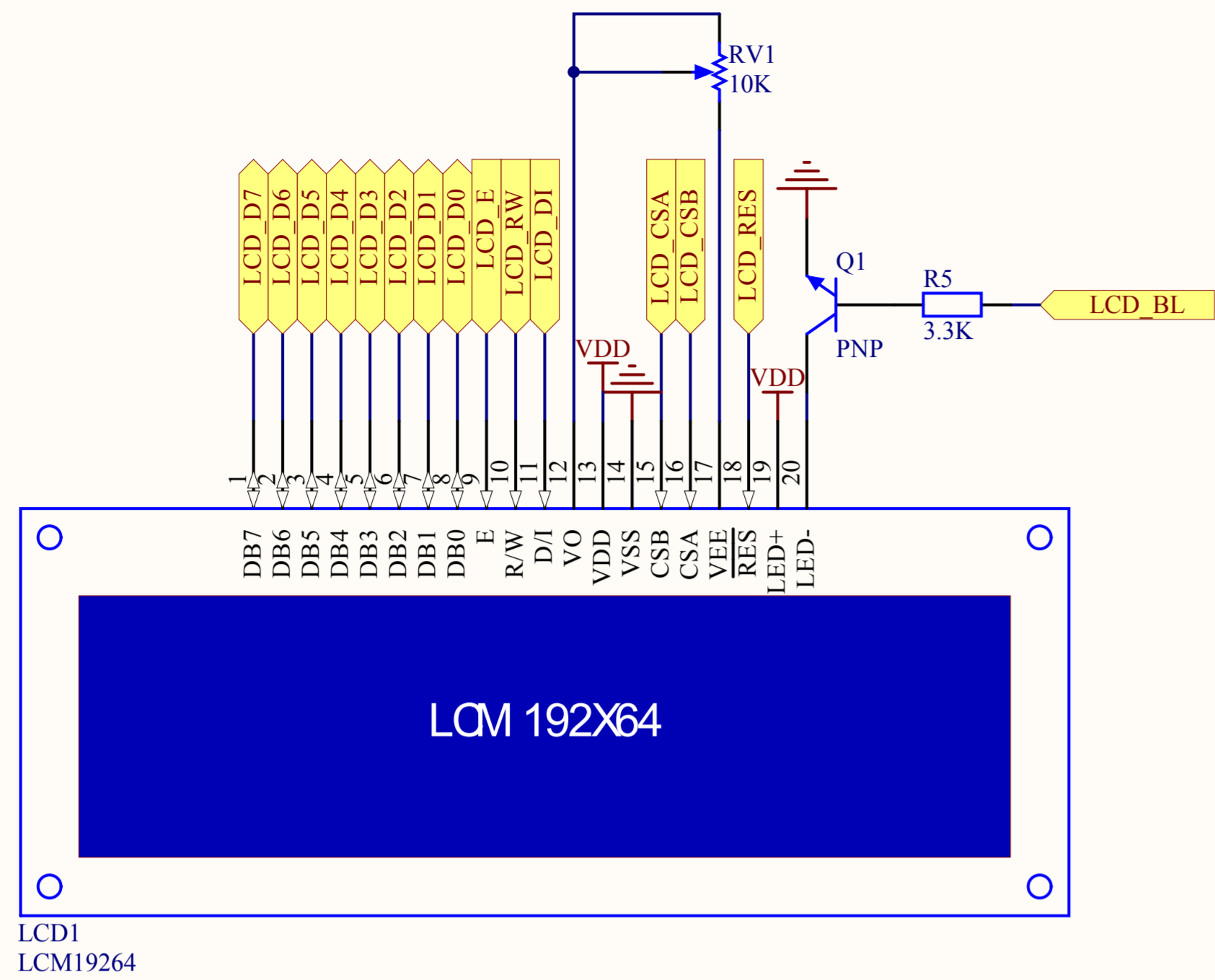


NOTE

1. 元件具体参数待定
2. 可调增益放大选型待定
3. 电源部分还没有考虑

Title		
Analog Part		
Size	Number	Revision
A3		V 0.1
Date:	2009-3-28	Sheet of 2/2
File:	C:\Documents and Settings\...\Analog Part.SchDoc By: www.ourdev.cn	



Title		
Digital Part		
Size	Number	Revision
A3		V 0.1
Date:	2009-3-28	Sheet of 1/2
File:	C:\Documents and Settings\...Digital Part.SchDoc By: www.ourdev.cn	