

D

C

B

A

D

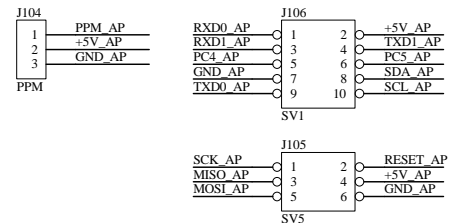
C

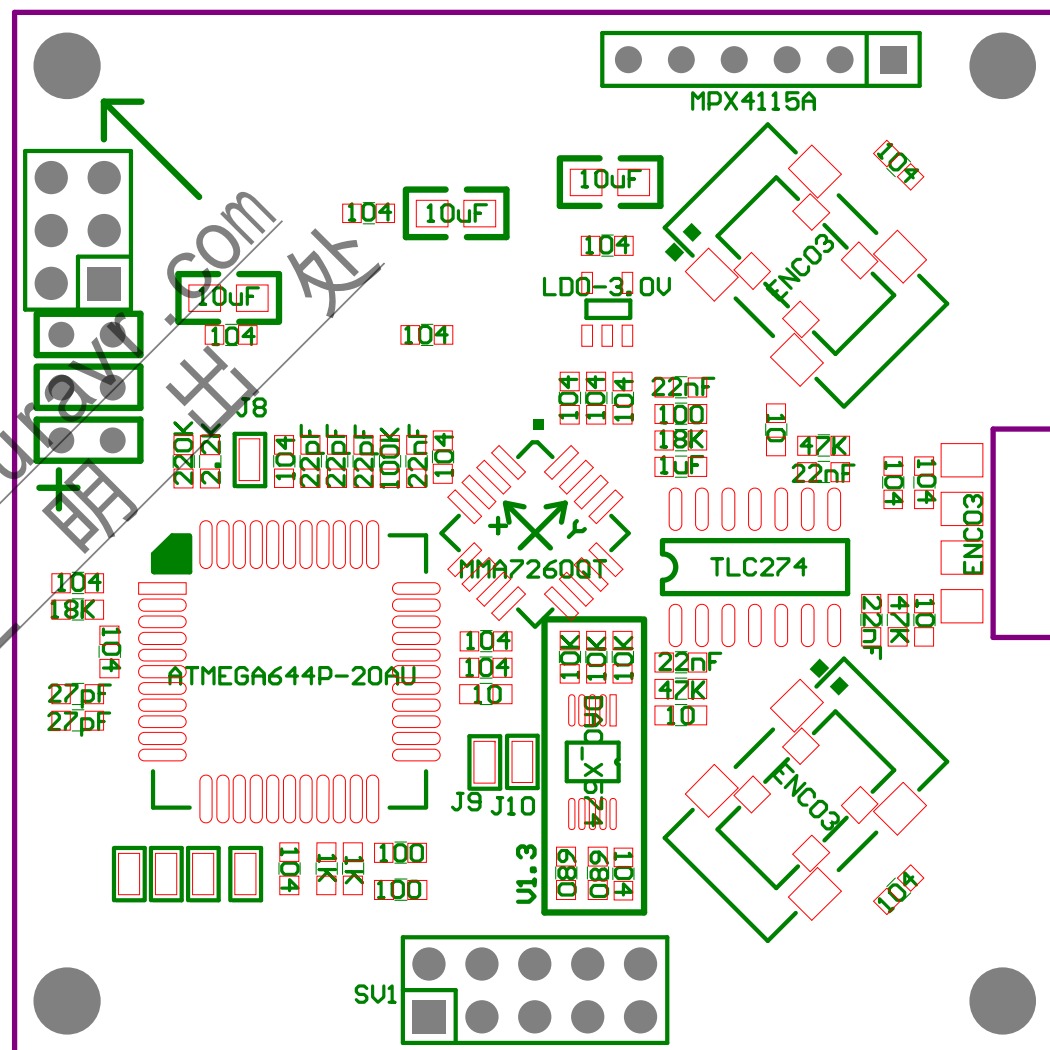
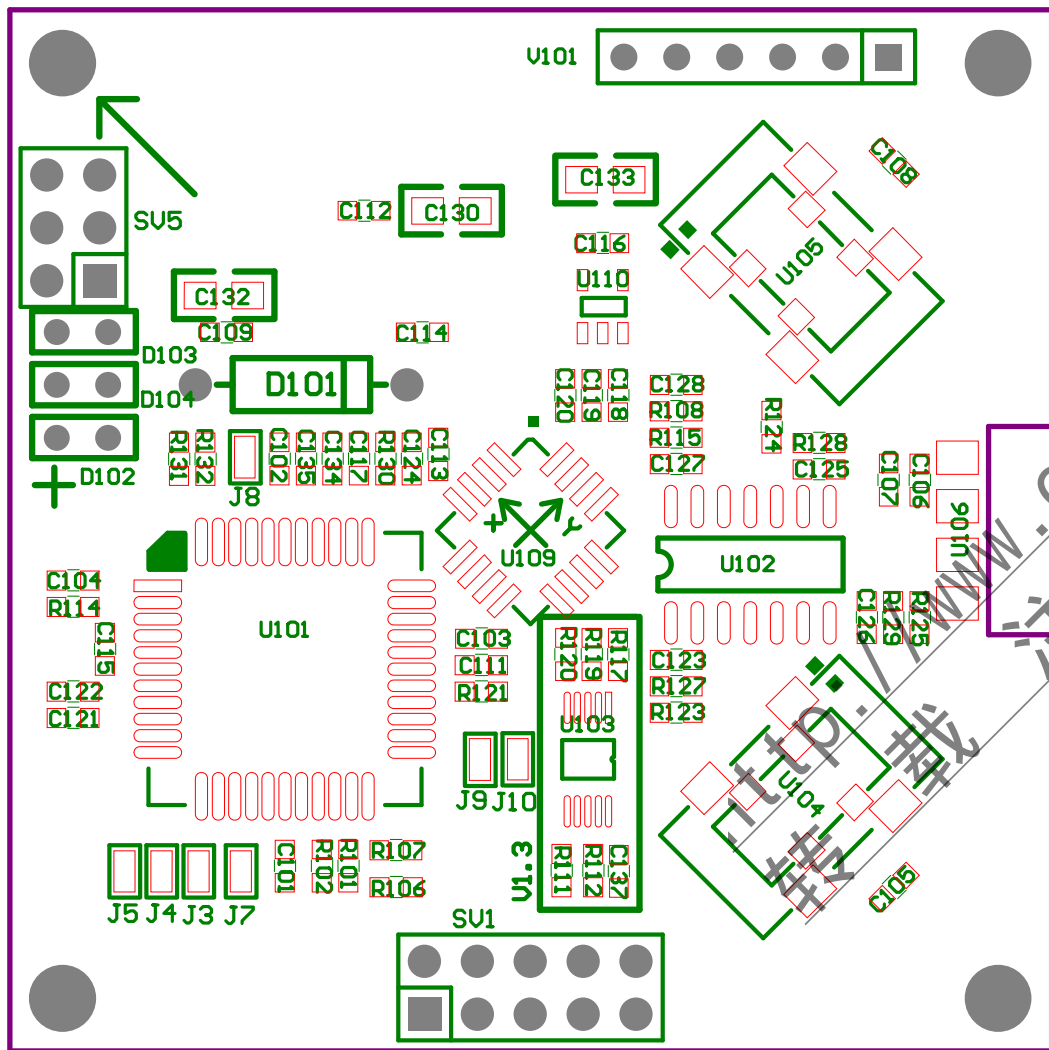
B

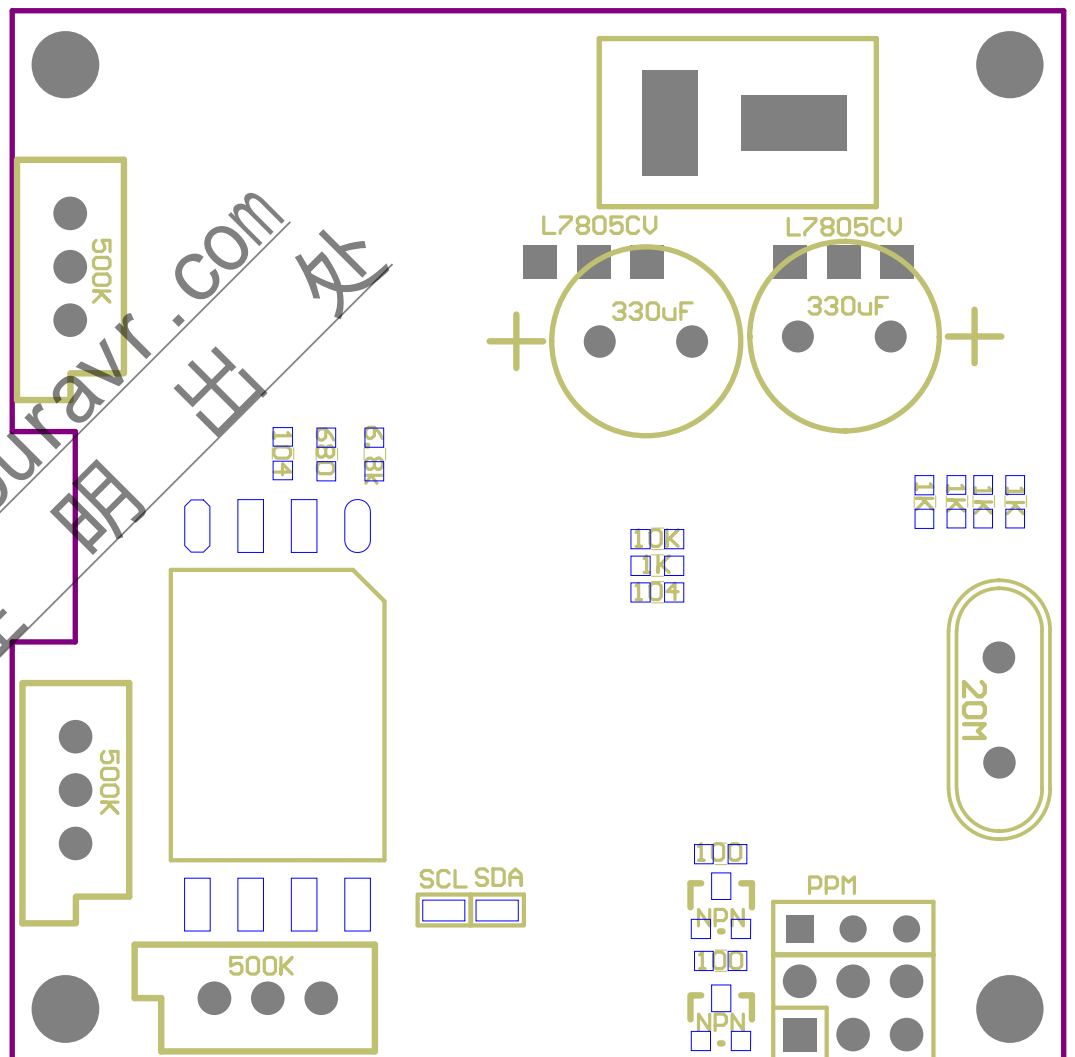
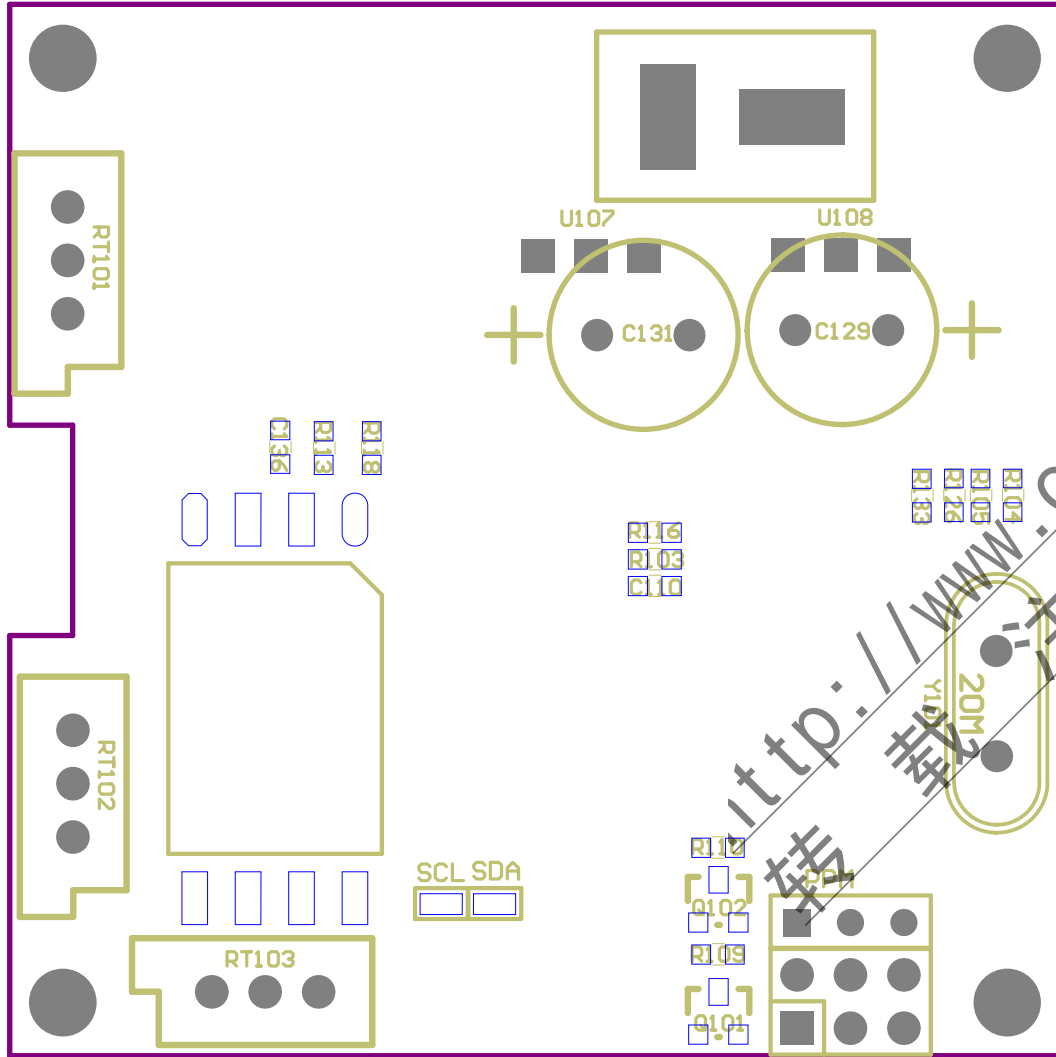
A

- ATMEGA644P-20AU
- (AD0) PA0 37 GYRO_GIER
 - (AD1) PA1 36 GYRO_ROLL
 - (AD2) PA2 35 GYRO_NICK
 - (AD3) PA3 34 LUFTDRUCK
 - (AD4) PA4 33 BAT_DET
 - (AD5) PA5 32 ACC_Z_IN
 - (AD6) PA6 31 ACC_Y_IN
 - (AD7) PA7 30 ACC_X_IN
 - (T0/XCK) PB0 40 LED_R_AP
 - (T1) PB1 41 LED_G_AP
 - (AIN0/INT2) PB2 42 J8_AP
 - (AIN1/OC0) PB3 43 P_OFF1
 - (SS) PB4 44 P_OFF2
 - (MOSI) PB5 1 MOST_AP
 - (MISO) PB6 2 MISO_AP
 - (SCK) PB7 3 SCK_AP
 - (SCL) PC0 19 I2C_CLK
 - (SDA) PC1 20 I2C_DATA
 - (TCK) PC2 21 PC2_AP
 - (TMS) PC3 22 PC3_AP
 - (TDO) PC4 23 PC4_AP
 - (TDI) PC5 24 PC5_AP
 - (TOSC1) PC6 25 J9_AP
 - (TOSC2) PC7 26 SPEAKER_AP
 - (RXD) PD0 9 RXD0_AP
 - (TXD) PD1 10 TXD0_AP
 - (INT0) PD2 11 RXD1_AP
 - (INT1) PD3 12 TXD1_AP
 - (OC1B) PD4 13 J4_AP
 - (OC1A) PD5 14 J3_AP
 - (ICP) PD6 15 PPM_AP
 - (OC2) PD7 16 SERVO

Title		
Size	Number	Revision
B		
Date:	18-Feb-2009	Sheet of
File:	D:\U盘备份\MK BLDC+AP.ddb	Drawn By:







http://www.ouravr.com
转载请注明出处

Part Type	Footprint	Designator
10Ω	R0603	R121
100Ω	R0603	R106 R107 R108 R109 R110
680Ω	R0603	R113
1K	R0603	R101 R102 R103 R104 R133
2.2K	R0603	R132
6.8k	R0603	R118
10K	R0603	R116
18K	R0603	R114 R115
47K	R0603	R127 R128 R129
100K	R0603	R130
220K	R0603	R131
22pF	C0603	C117 C121 C122 C134 C135
22nF	C0603	C123 C124 C125 C126 C128
100nF	C0603	C101 C102 C103 C104 C105 C106 C107 C108 C109 C110 C111 C112 C113 C114 C115 C116 C118 C119 C120 C136
1uF	C0603	C127
10uF	C0805	C130 C132 C133
330uF		C129 C131
DIODE	1N4007	D101
LED红	LED_DIP	D102
LED绿	LED_DIP	D103
LED黄	LED_DIP	D104
20MHz	XTAL	Y101
NPN	SOT23-3	Q101 Q102
LDO-3.0V	SOT23-5	U110
L7805CV	TO-220	U105 U108
MMA7260QT	MMA7260QT	U109
MPX4115A		U101
TLC274	SOP14	U102
ENC-03	ENC03	U104 U105 U106
ATMEGA644P-20AU	TQFP44	U101
HEADER 3X2	IDC-6	J103
SV5	IDC-6	J105
SV1	IDC-10	J106
V1.3		
DAC_X574	SOP10	U103
680Ω	R0603	R111 R112
1K	R0603	R105
10K	R0603	R117 R119 R120
100nF	C0603	C137
V1.2		
1K	R0603	R126 (注意D103的极性要反过来)
10Ω	R0603	R123 R124 R125
500K	VR-5	RT101 RT102 RT103