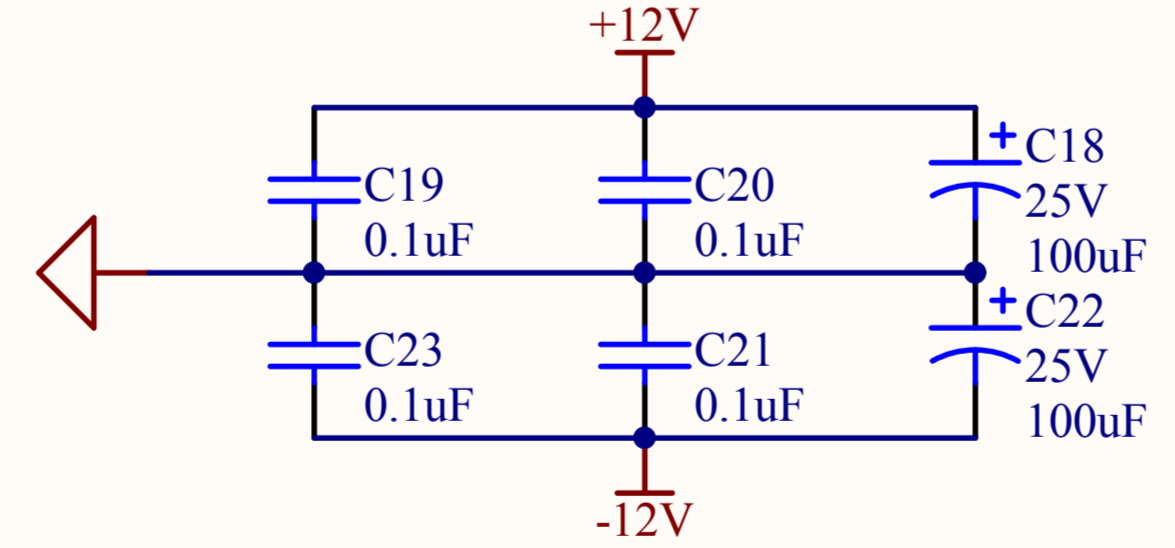
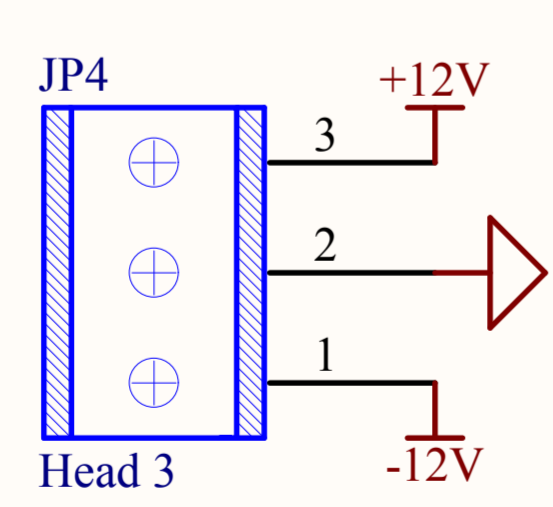
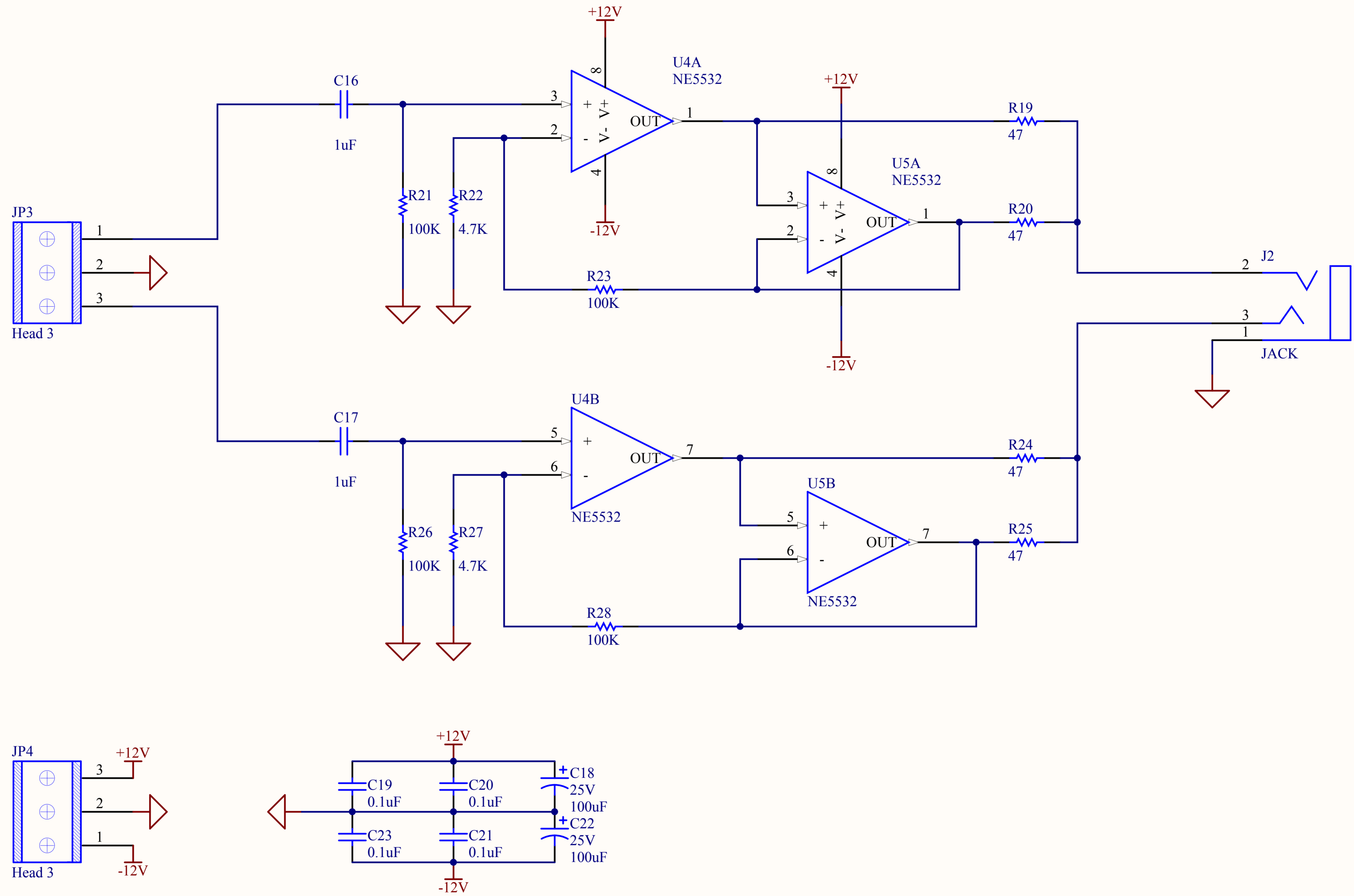
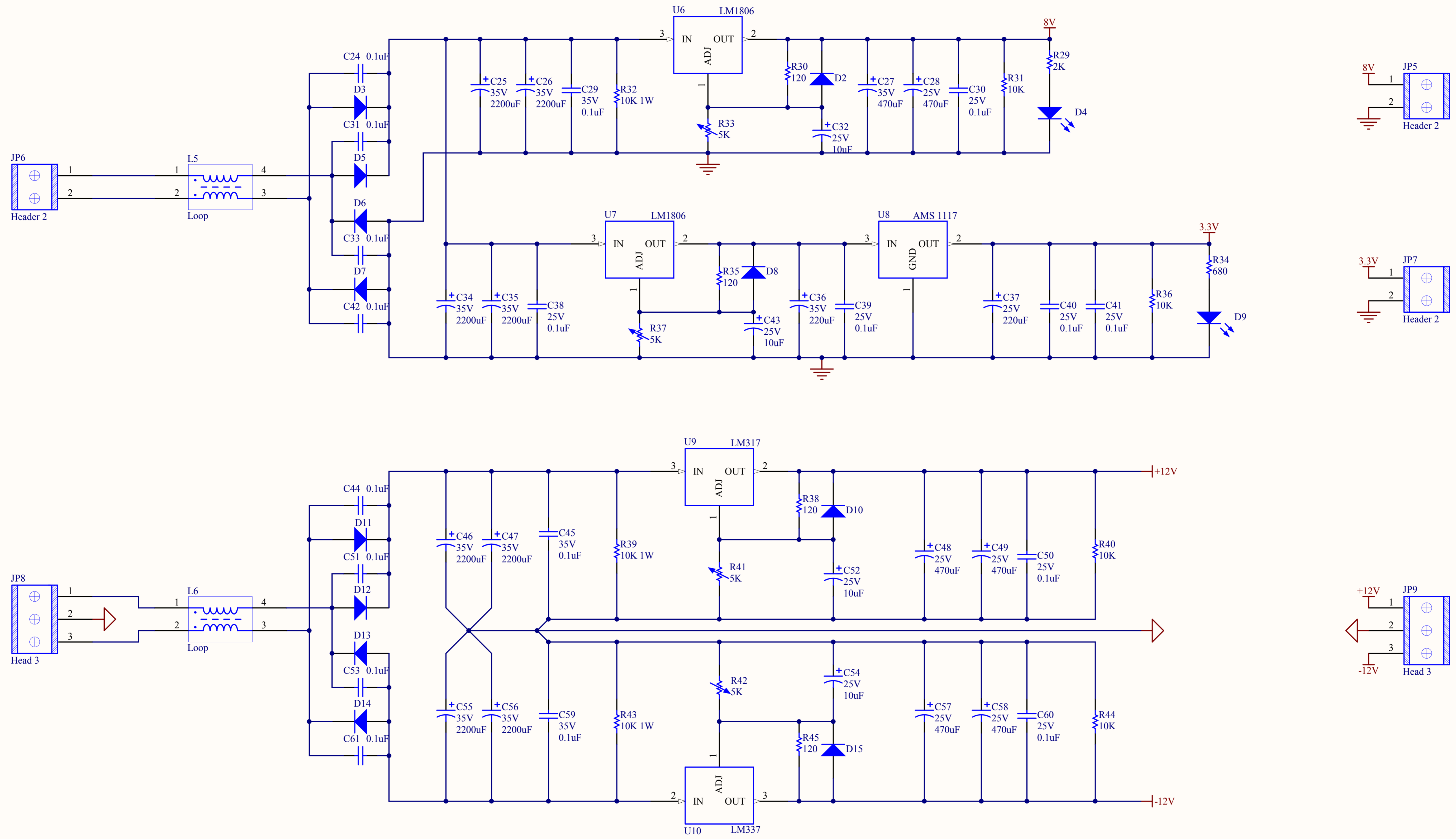


# 47 Headphone Amplifier



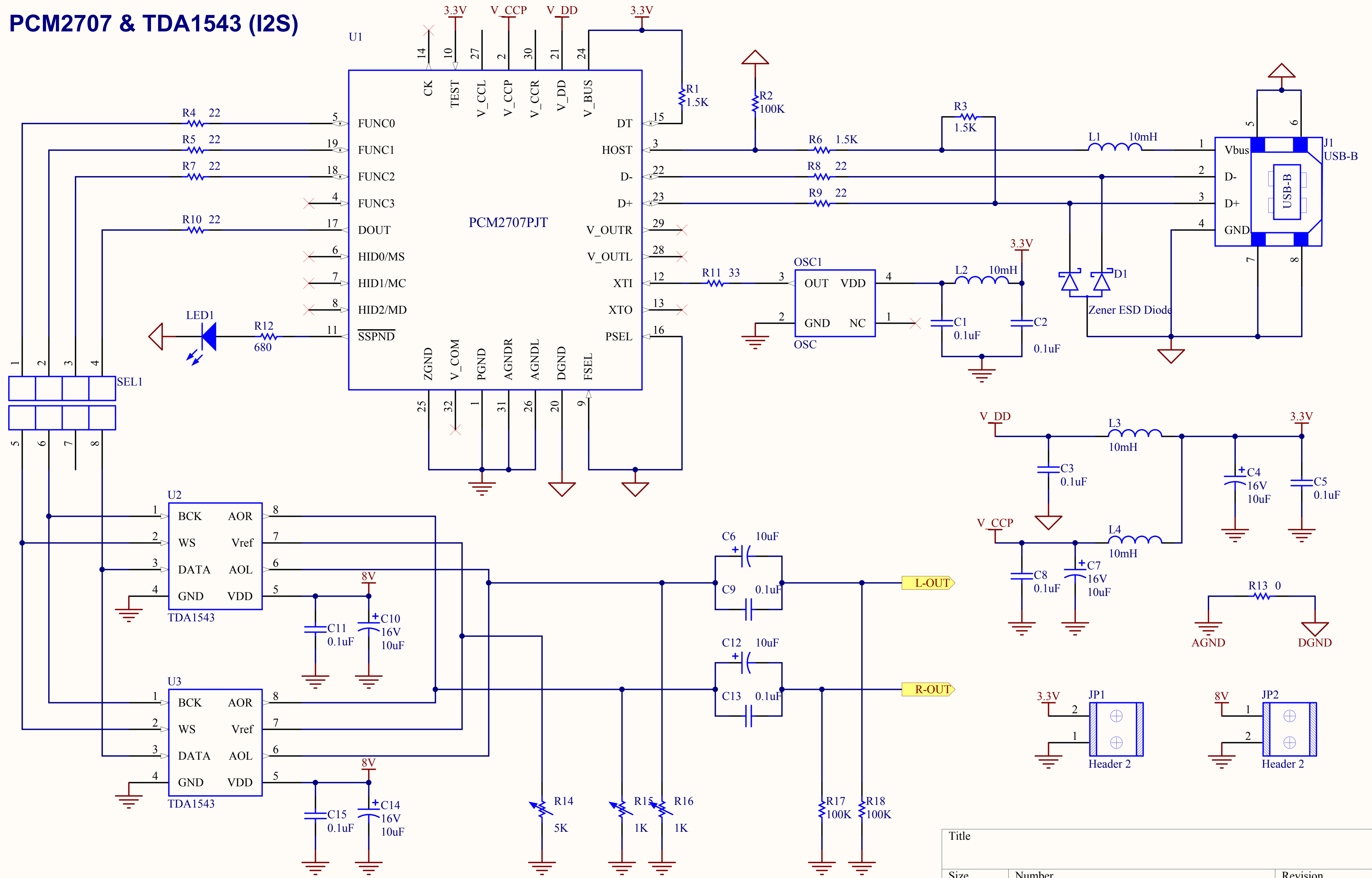
Title		
Size	Number	Revision
A4		
Date:	2008-12-25	Sheet of
File:	G:\...\Amplifier.SchDoc	Drawn By:

# POWER



Title		
Size	Number	Revision
A3		
Date:	2008-12-25	Sheet of
File:	G:\...\Power.SchDoc	Drawn By:

# PCM2707 & TDA1543 (I2S)



Title		
Size	Number	Revision
A4		
Date:	2008-12-25	Sheet of
File:	G:\ \..USB DAC.SchDoc	Drawn By: