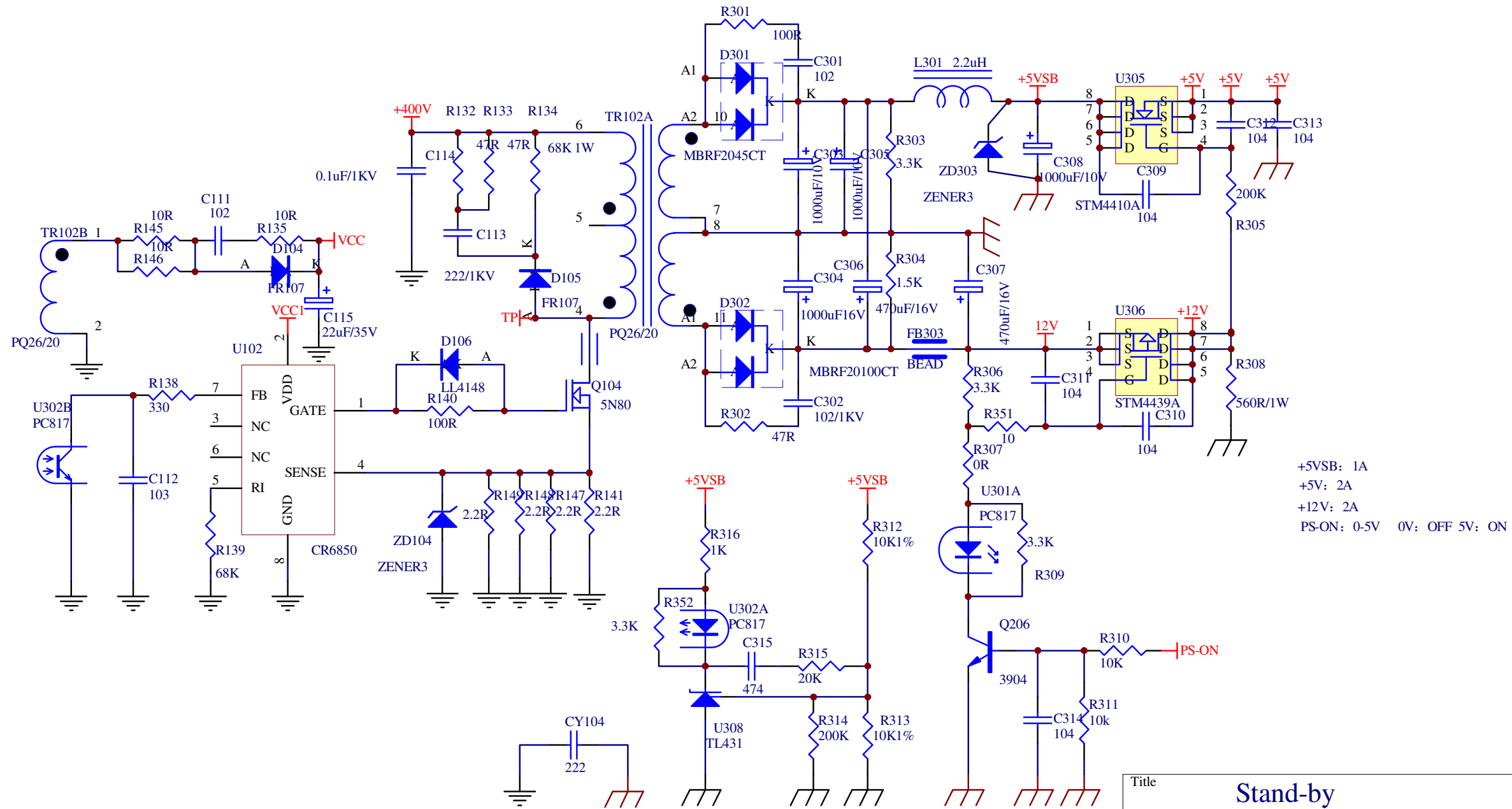


+5V+12V+5VSB



+5VSB: 1A
+5V: 2A
+12V: 2A
PS-ON: 0-5V 0V: OFF 5V: ON

Title		
Stand-by		
Size	Number	Revision
A4		
Date:	13-Nov-2008	Sheet of
File:	F:\PowerLCDTV32寸\原理图\GLT200-04.Dwg	