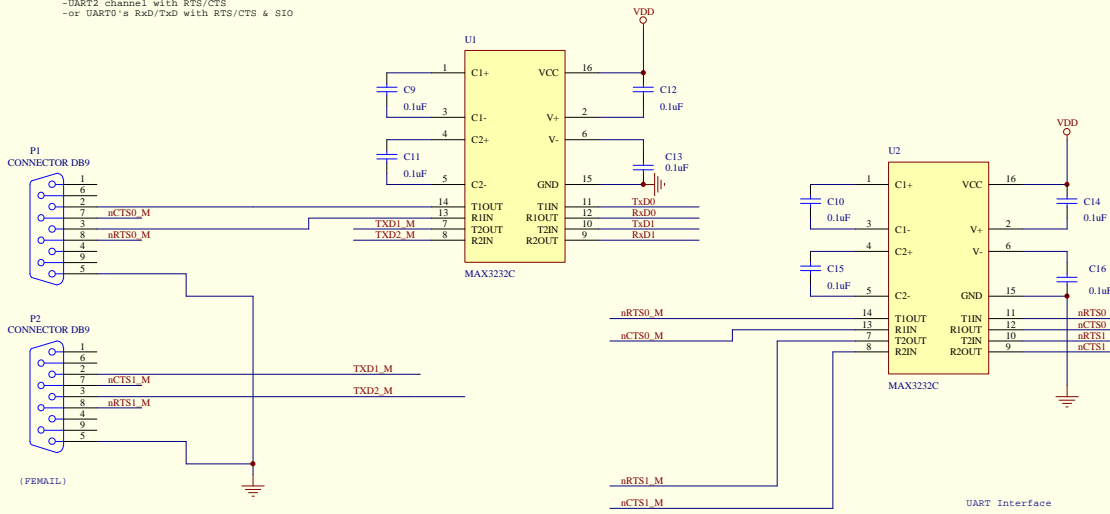


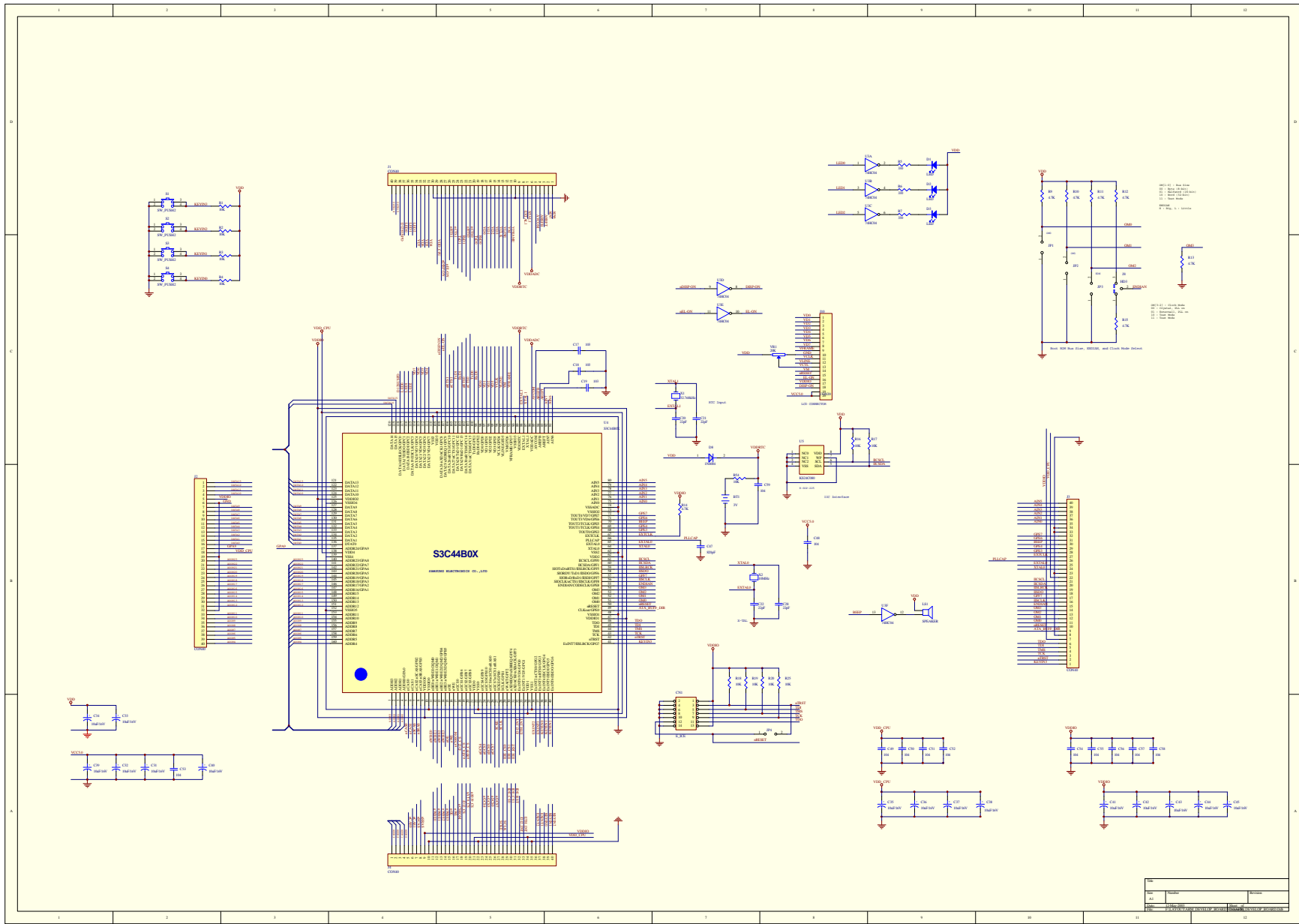
Title		
Size	Number	Revision
A3		
Date:	12-May-2003	Sheet of
File:	F:\LAYOUT\ARM_DEVELOP_BOARD\ARM_DEVELOP_BOARD.Ddb	

In 32-bit data mode be supported below.  
 -UART2 channel with RTS/CTS  
 -or UART0's RxD/TxD with RTS/CTS & SIO

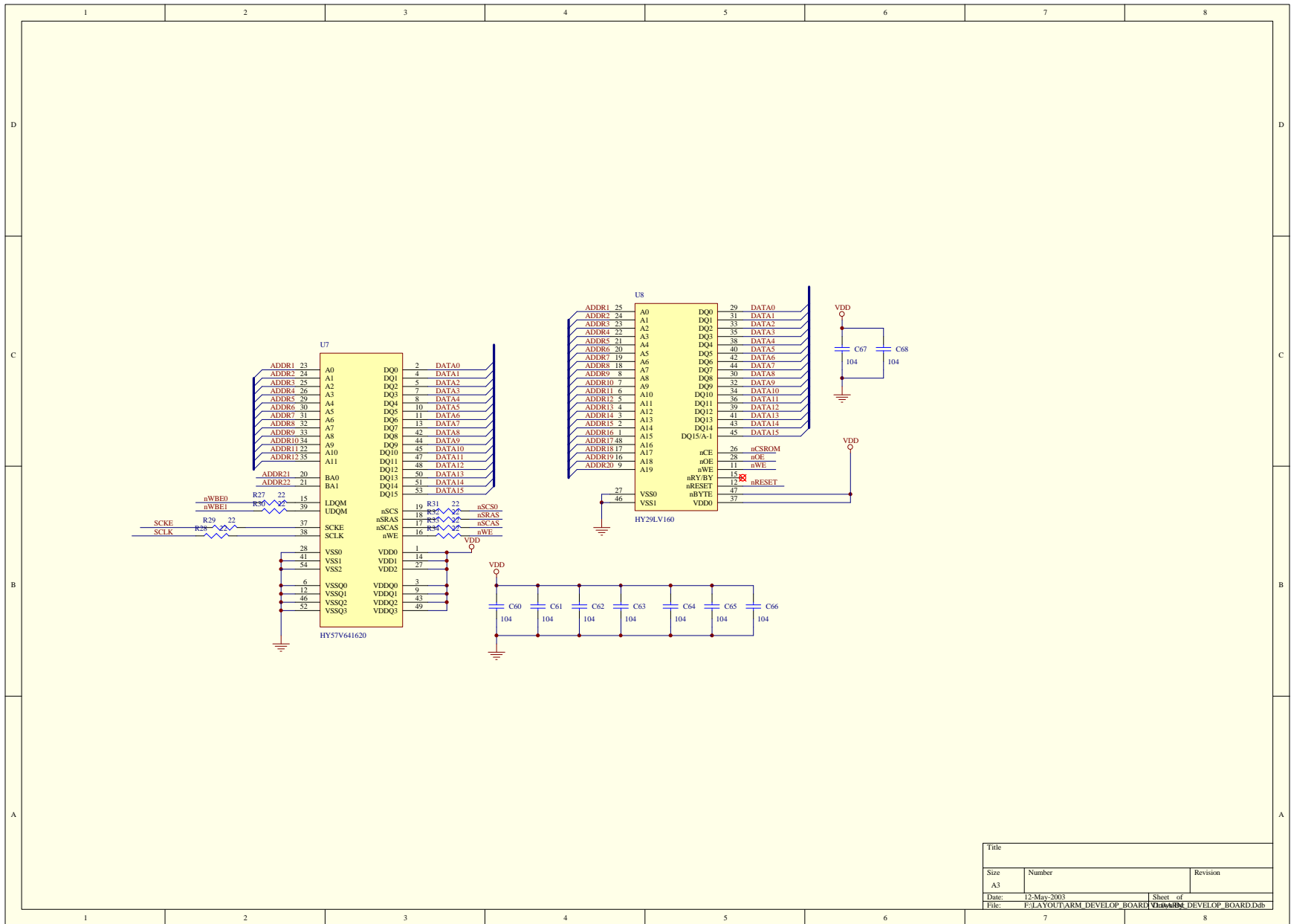


In 32-bit mode , UART0 Handshake

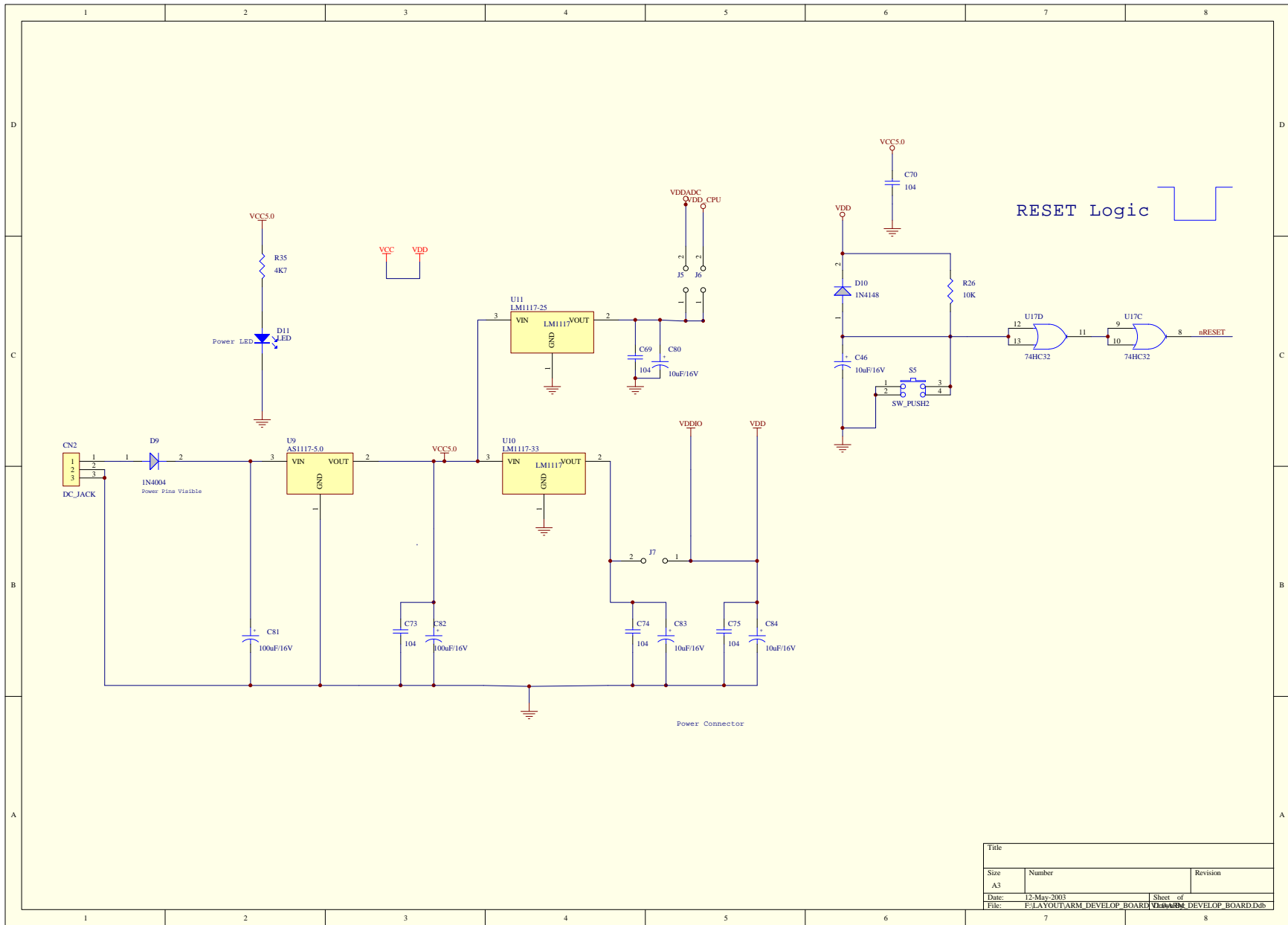
Title		
Size	Number	Revision
A3		
Date:	12-May-2003	Sheet of
File:	F:\LAYOUT\ARM DEVELOP BOARD\ARM DEVELOP BOARD.Ddb	



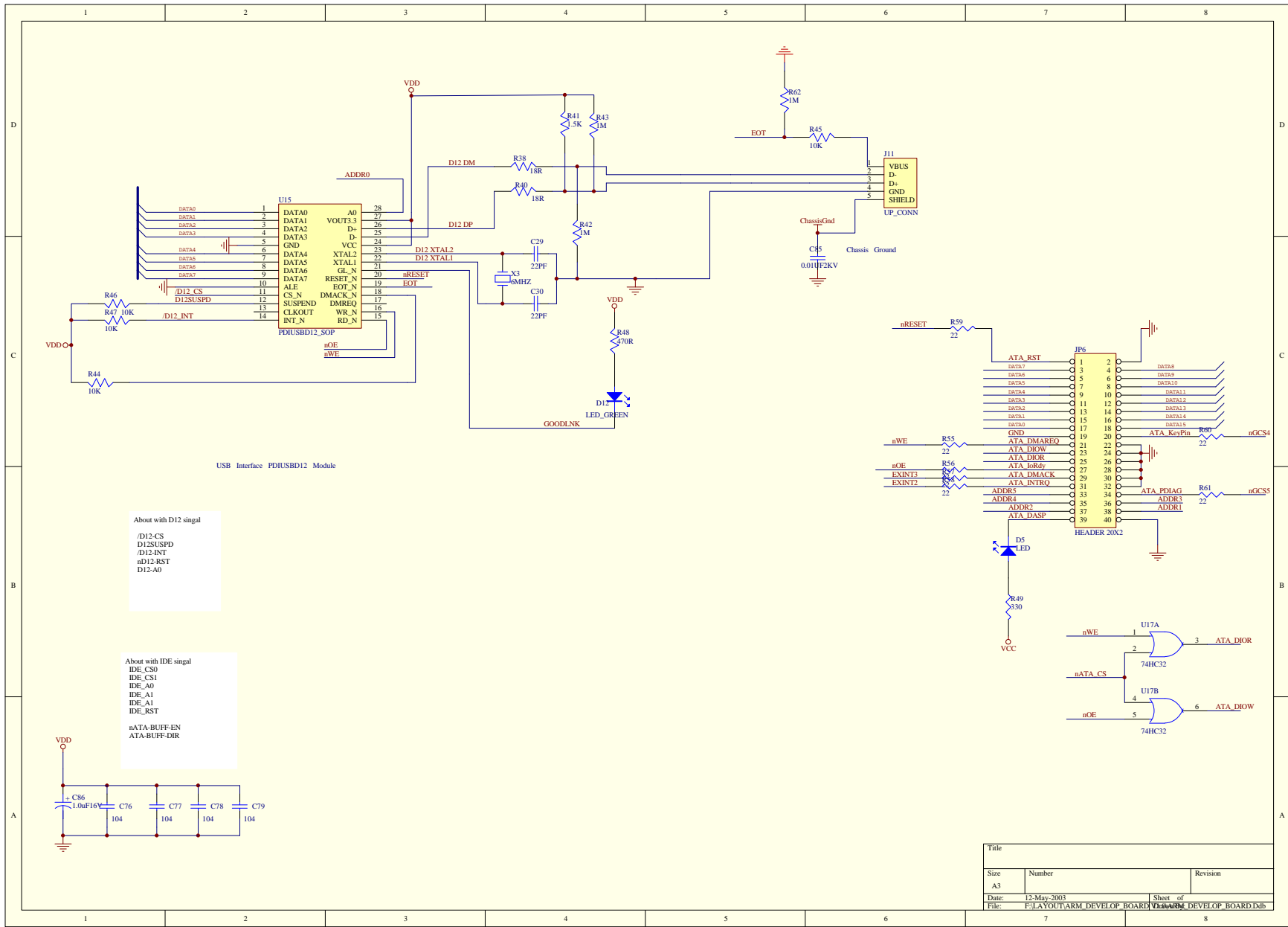
Rev.	Date	Author
1.0		



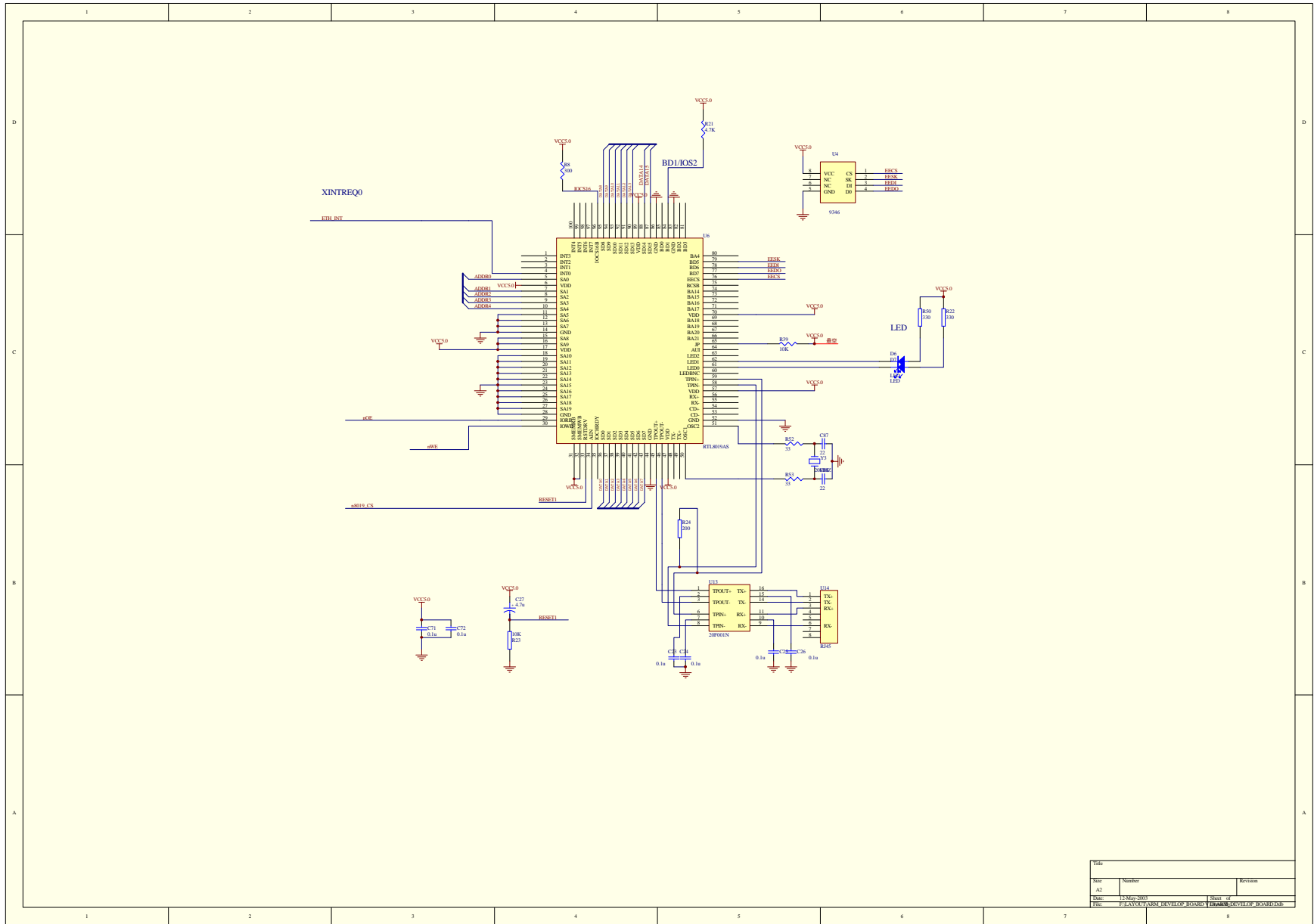
Title		
Size	Number	Revision
A3		
Date:	12-May-2003	Sheet of
File:	F:\LAYOUT\ARM_DEVELOP_BOARD\ARM_DEVELOP_BOARD.Ddb	



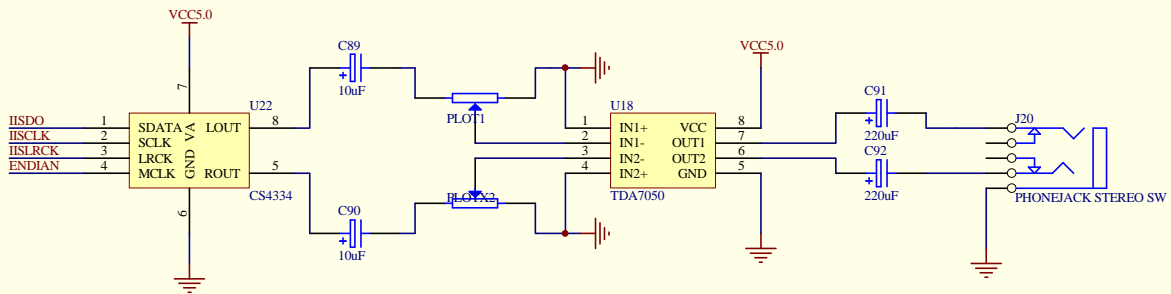
Title		
Size	Number	Revision
A3		
Date:	12-May-2003	Sheet of
File:	F:\LAYOUT\ARM_DEVELOP_BOARD\ARM_DEVELOP_BOARD.Ddb	



Title		
Size	Number	Revision
A3		
Date:	12-May-2003	Sheet of
File: F:\LAYOUT\ARM_DEVELOP_BOARD\ARM_DEVELOP_BOARD.Ddb		



Title		
Size	Number	Revision
A1		
Date	12 May 2005	Sheet of
File: FLAYO0143M1 DEVELOP BOARD		DRWG: DEVELOP_BOARD10A



Title		
Size	Number	Revision
A4		
Date:	12-May-2003	Sheet of
File:	F:\LAYOUT\ARM_DEVELOP_BOARD	V:\ARM_DEVELOP_BOARD.Ddb