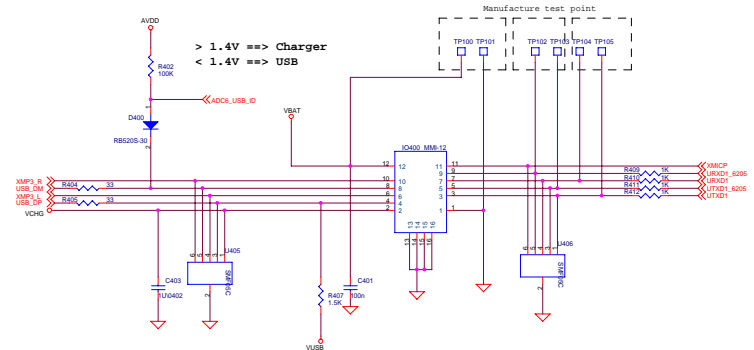
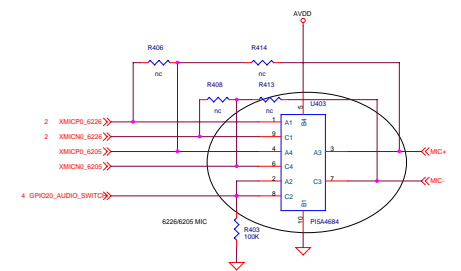
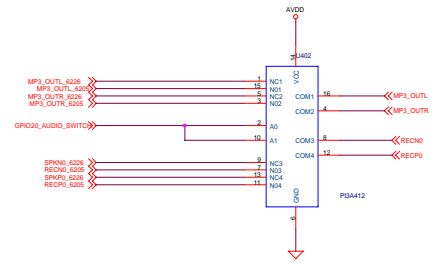
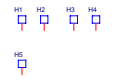
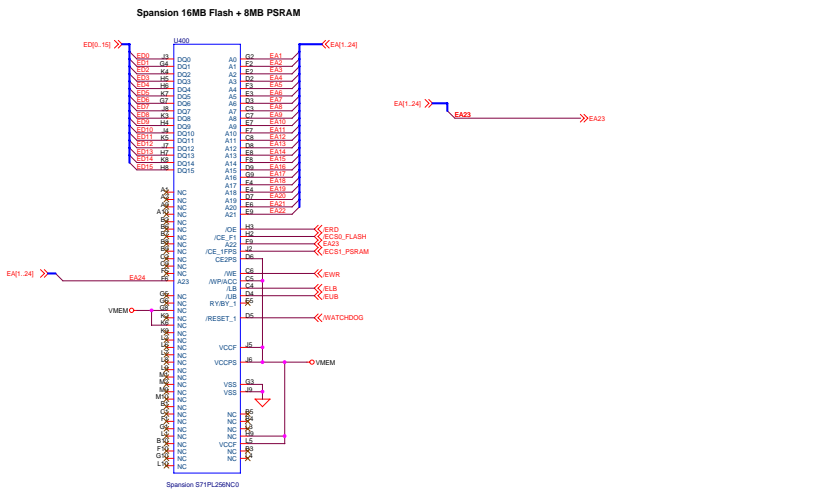


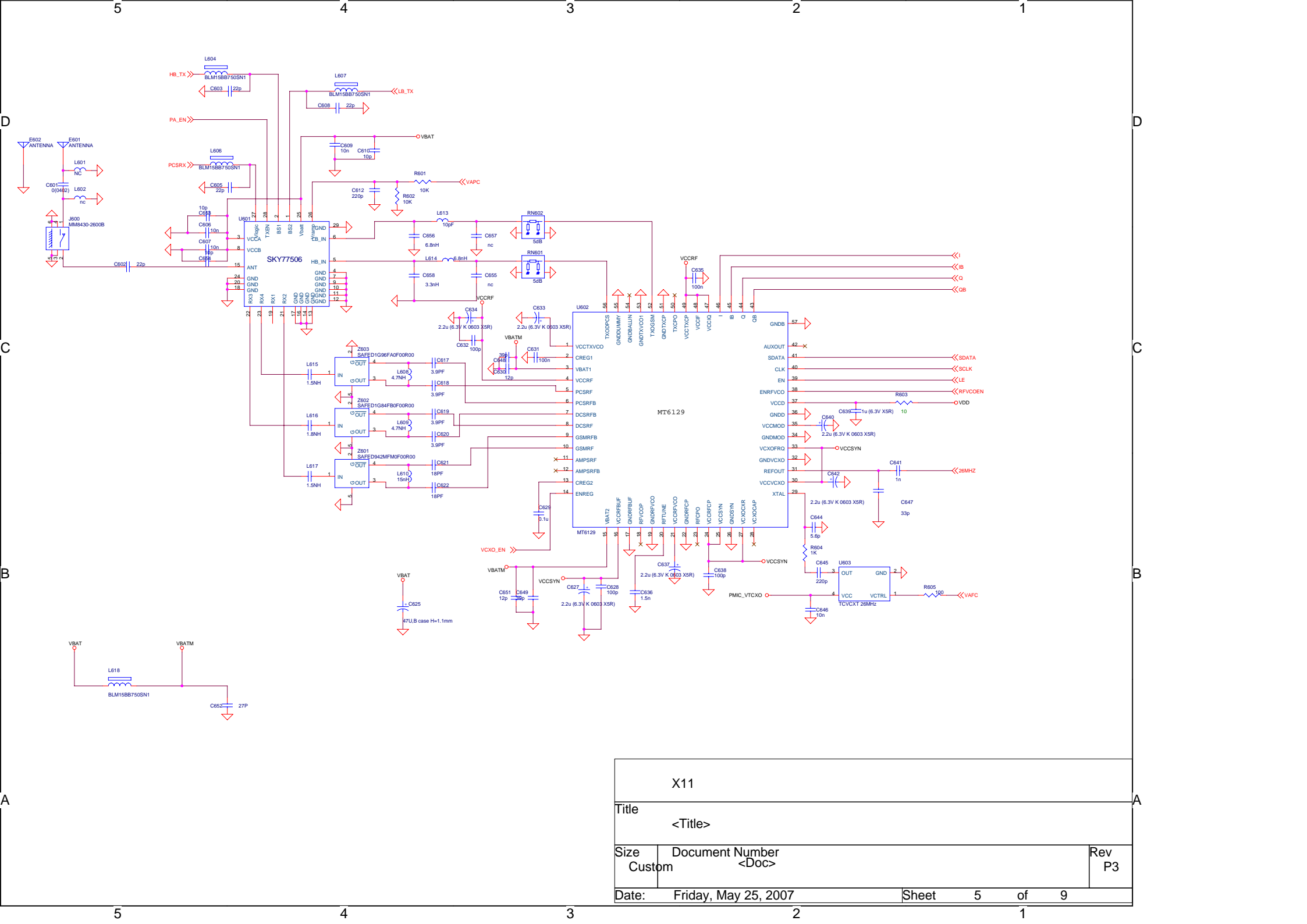
MT6226

X11			
Title <Title>			
Size Custom	Document Number <Doc>	Rev P3	
Date:	Friday, May 25, 2007	Sheet	1 of 9



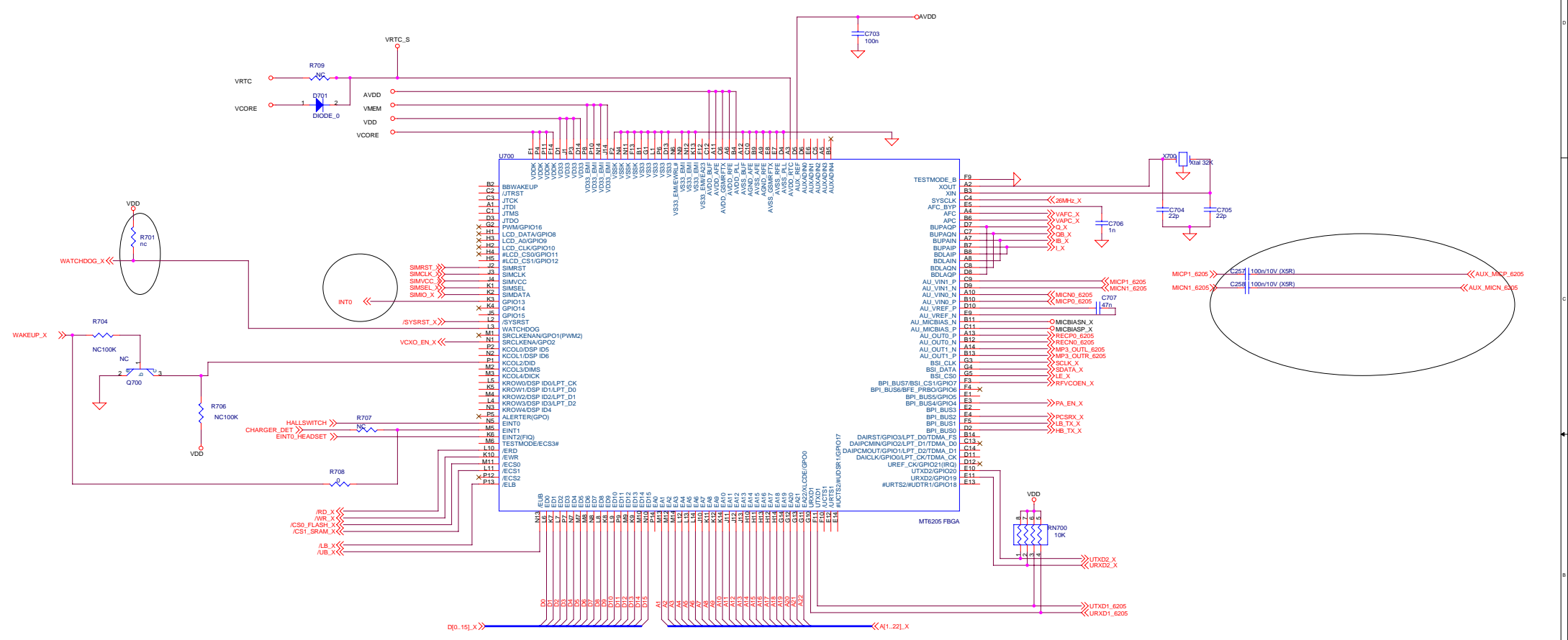
- CHARGER NEEDED
 15,16 : GND
 1,2 : CSR
- UART NEEDED
 15,16 : GND
 10 : TXD1
 12 : RXD1
- JTAG CABLE NEEDED
 2 : JTAGCK
 3 : JTAGD
 4 : JTAGS
 5 : /RESET
 6 : JTAGC
 7 : /JTAGST
 8 : JTAGO
 15,16 : GND
- USB NEEDED
 15,16 : GND
 13 : USB_DM
 14 : USB_DP
 18 : USB_PWR
 (5V)

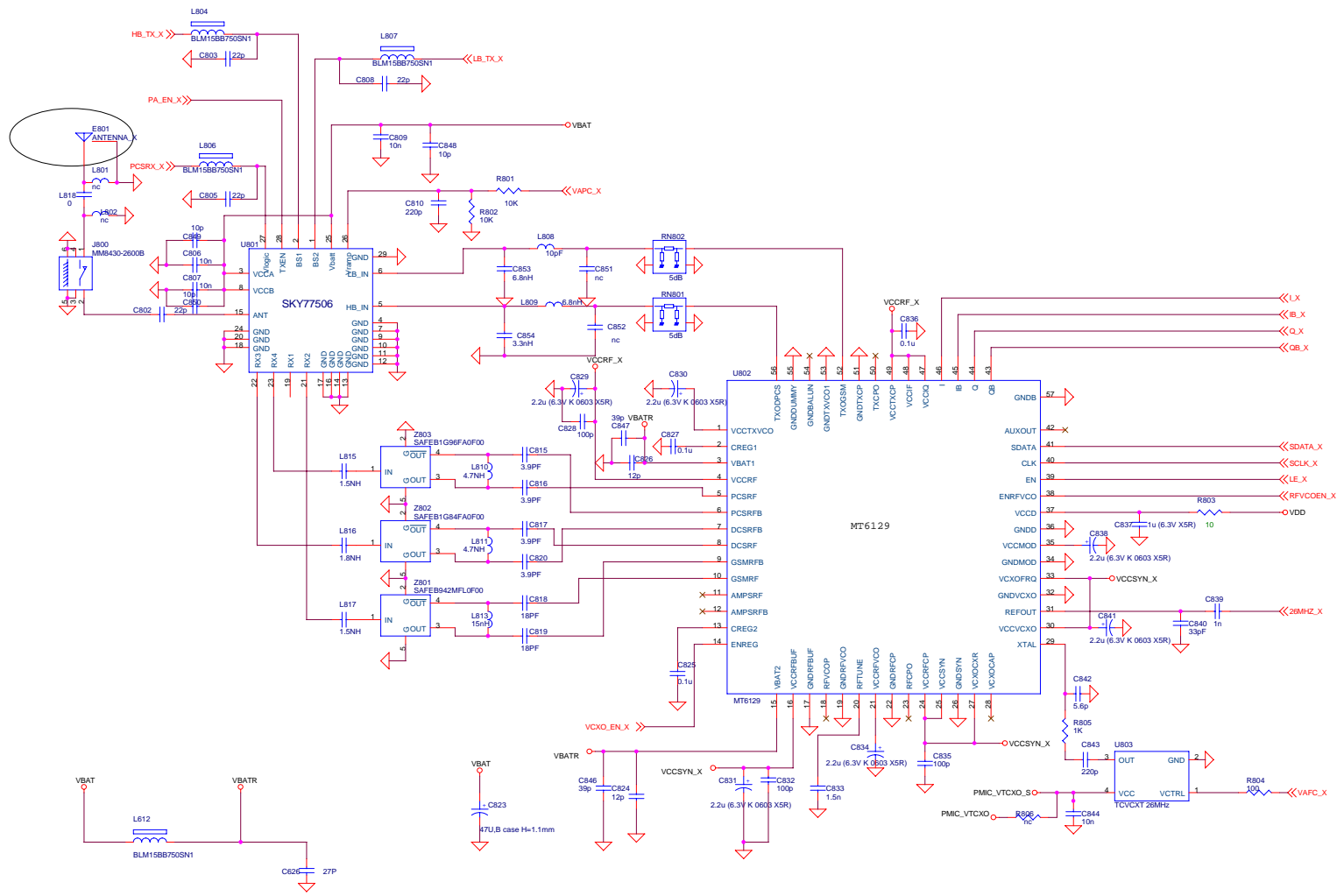
X11		
Title <Title>		
Size Custom	Document Number <Doc>	Rev P3
Date: Friday, May 25, 2007	Sheet 3	of 9



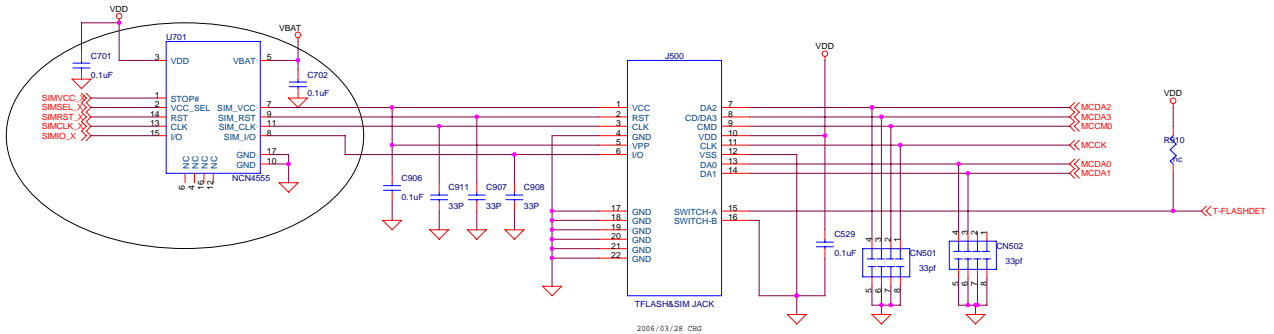
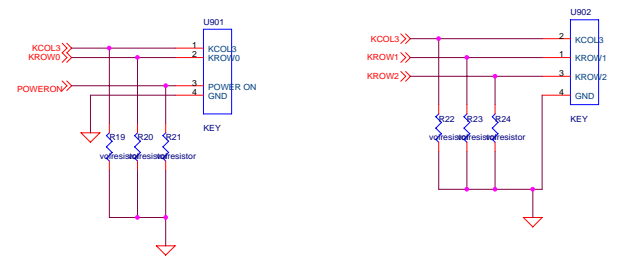
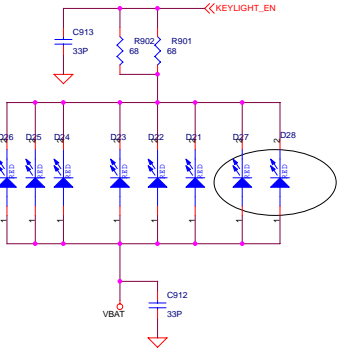
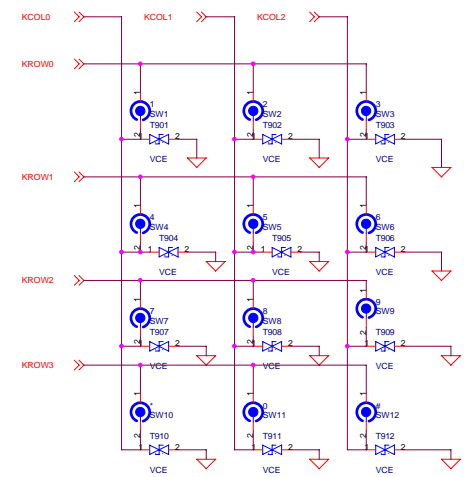
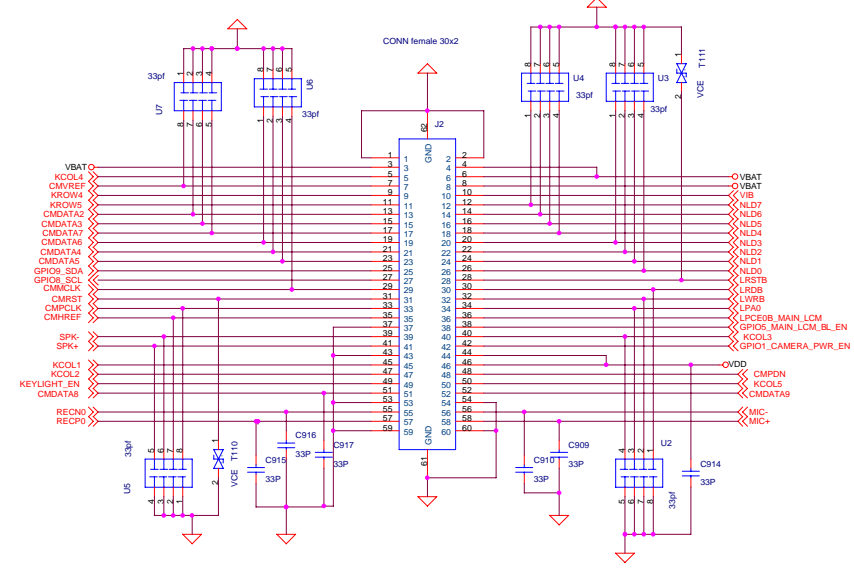
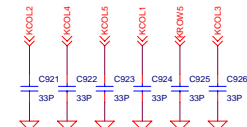
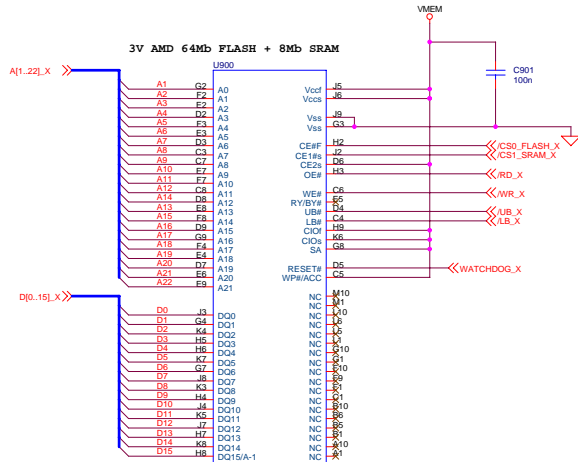
X11		
Title <Title>		
Size Custom	Document Number <Doc>	Rev P3
Date:	Friday, May 25, 2007	Sheet 5 of 9

MT6205B SETTING





X11		
File	<Title>	
Size	Document Number	Rev
A2	DUCC	P3
Date:	Friday, May 25, 2007	Sheet 7 of 9



X11		
File	<Title>	
Size	Document Number	Rev P3
A2	DU000	
Date:	Friday, May 25, 2007	Sheet 8 of 8