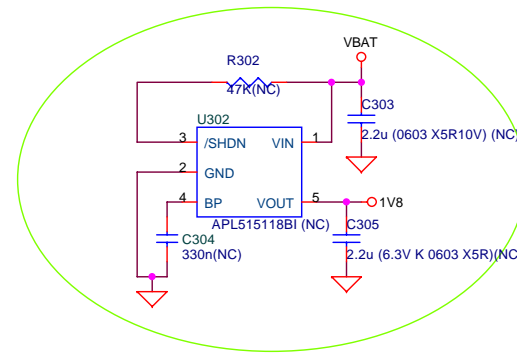
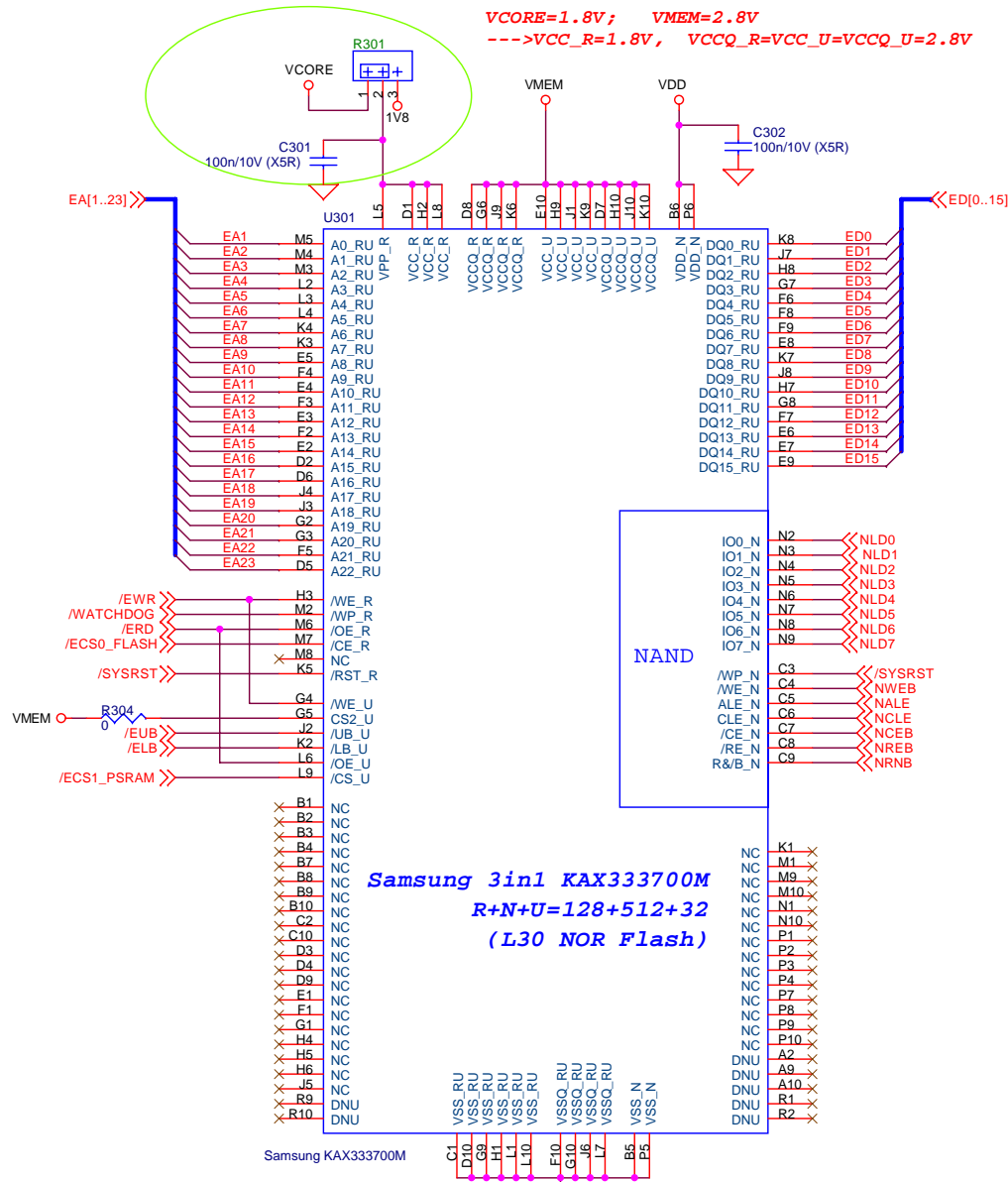
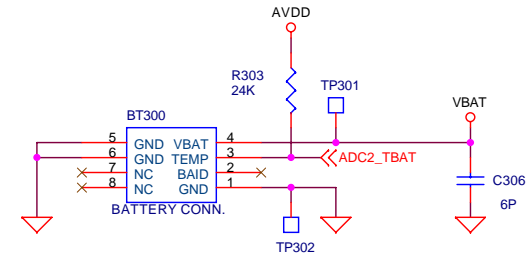
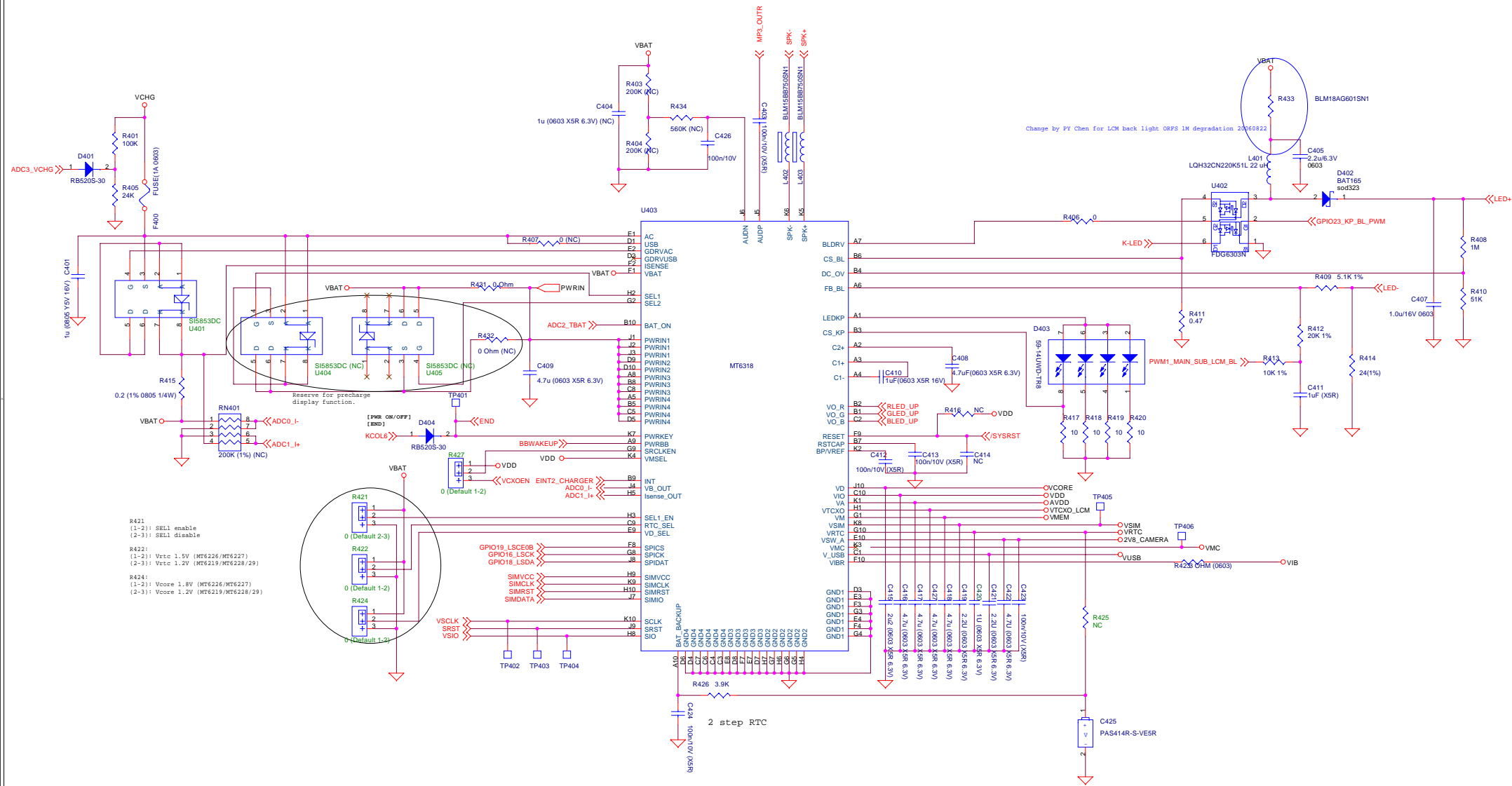


Title		
TOP6205 V1(Audio,IO,FM<MT6188>)		
Size	Document Number	Rev
A3	MT6219	
Date:	Wednesday, November 15, 2006	Sheet 2 of 6

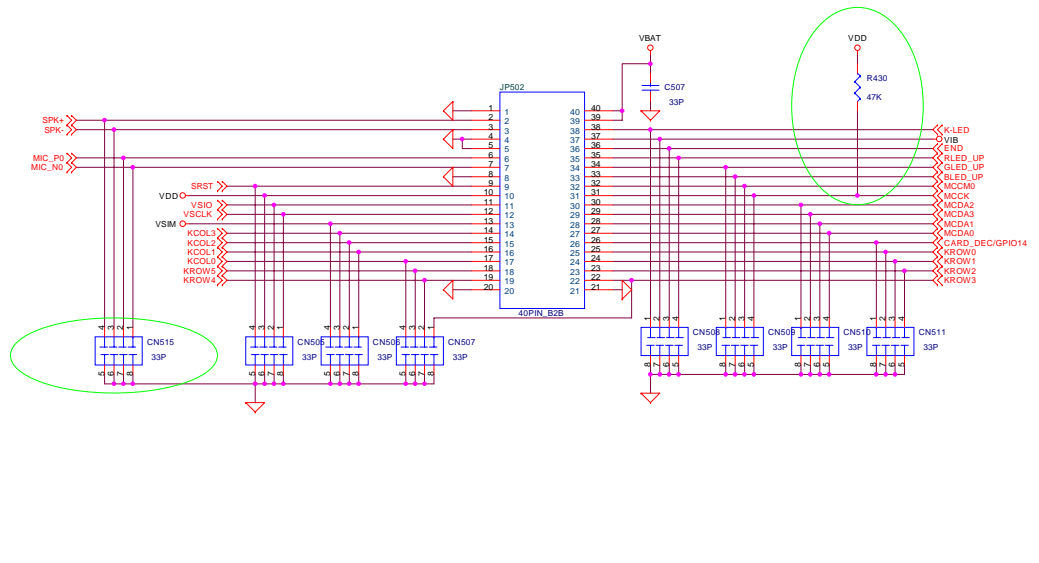
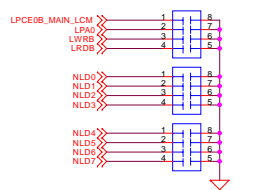
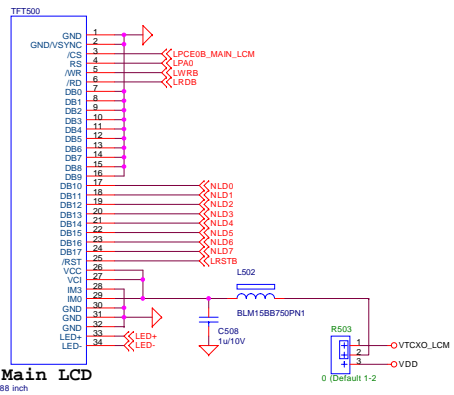
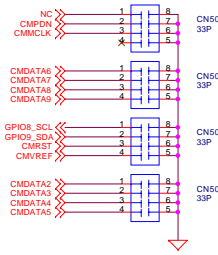
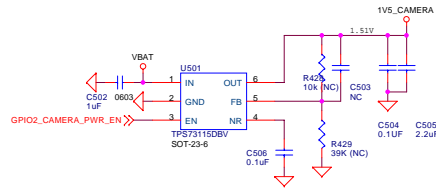
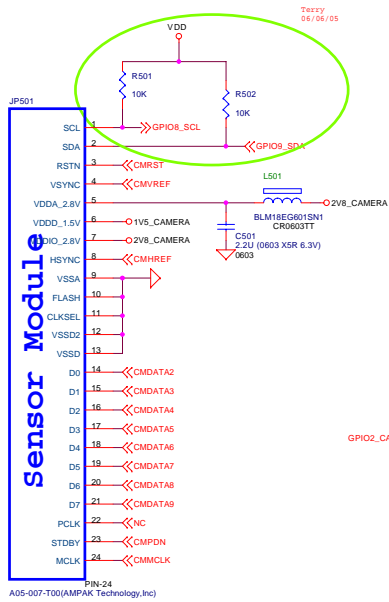


1. NC for MT6226M
2. Reserve 1V8 LDO for MT6219





Title		
TOP6205 V1(MT6318)		
Size	Document Number	Rev
A3	MT6219	
Date:	Wednesday, November 15, 2006	Sheet 4 of 6



1

2

3

4

5

6

7

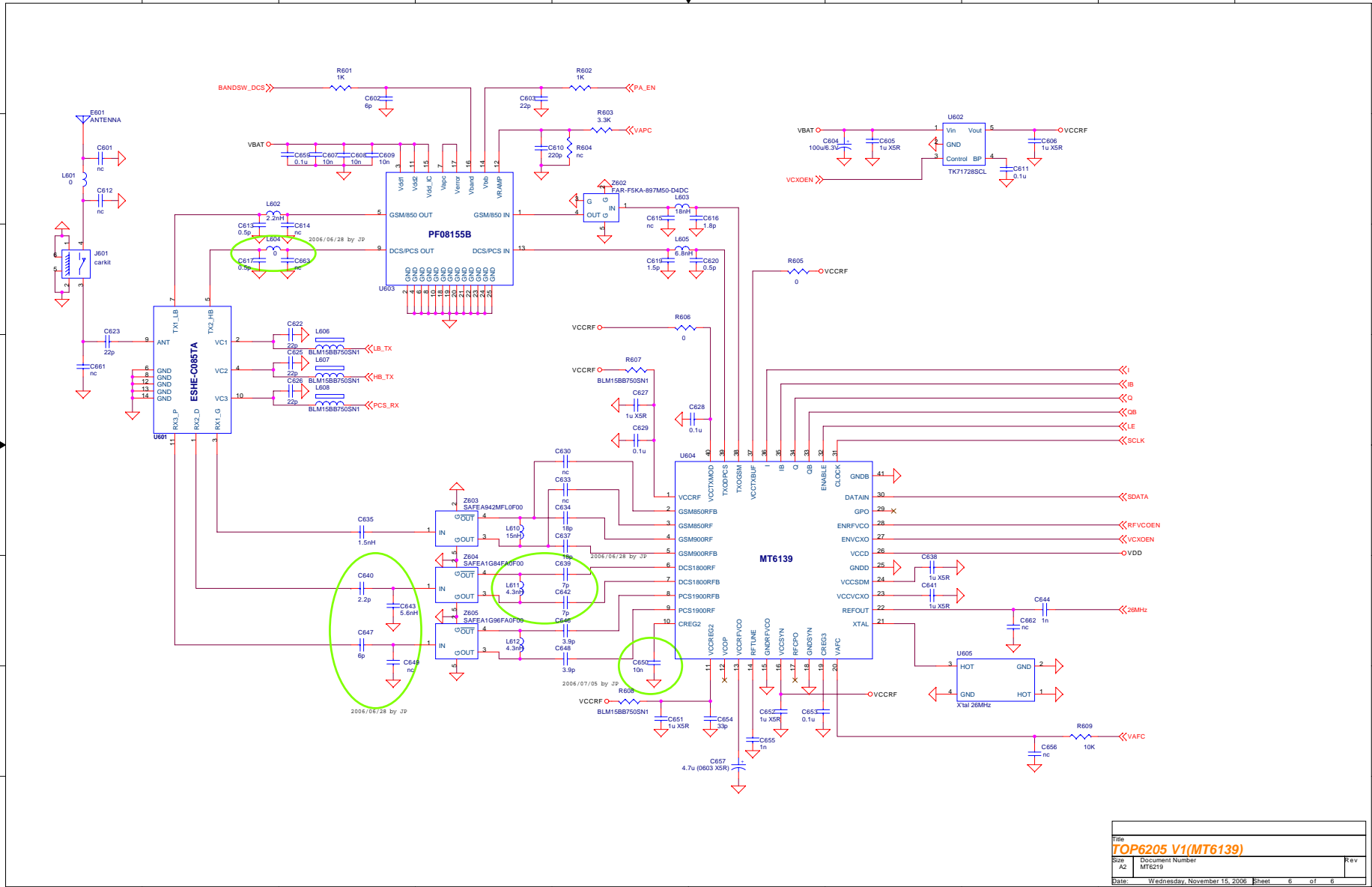
8

9

10

H
G
F
E
D
C
B
A

H
G
F
E
D
C
B
A



1

2

3

4

5

6

7

8

9

10