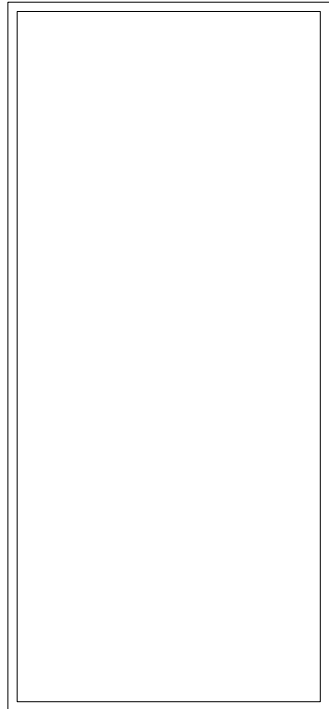
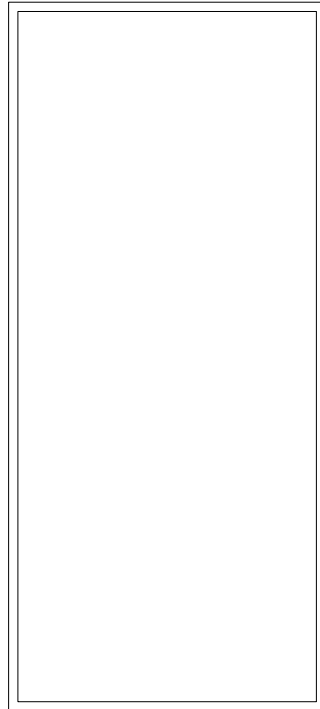


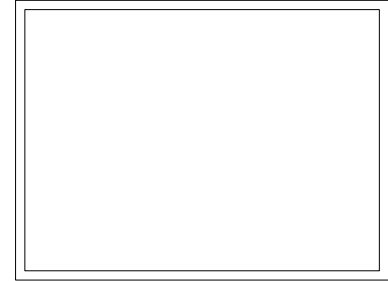
U1100_MT6219



U1200_AUDIOKEYPAD



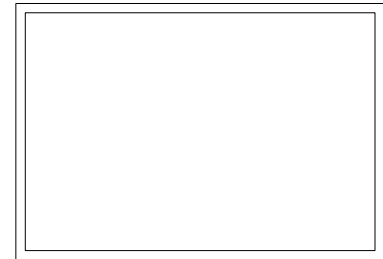
U1300_MMCFASHIO



U1400_PMIC



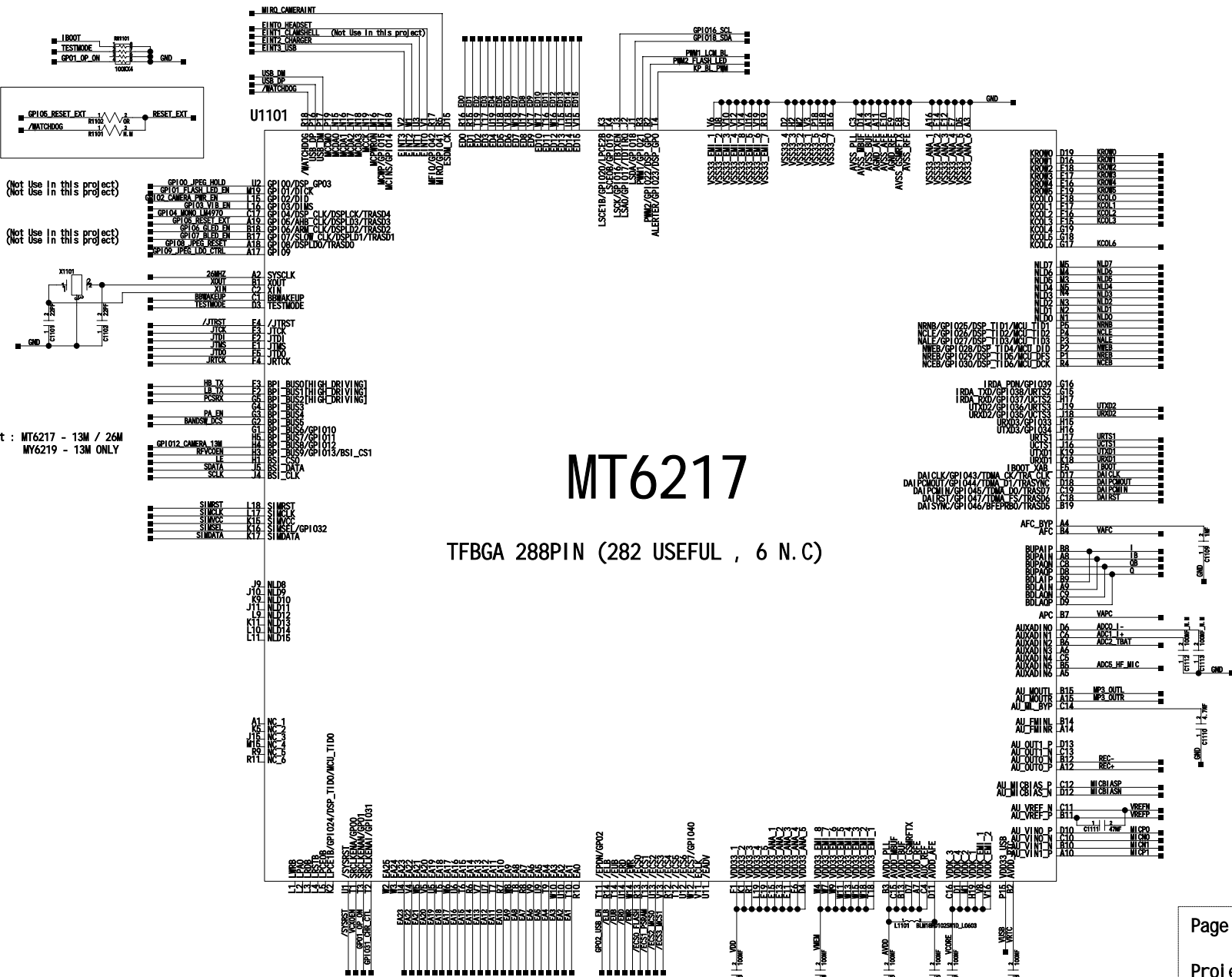
U1500_JPEG



U2100_RF

MT6217

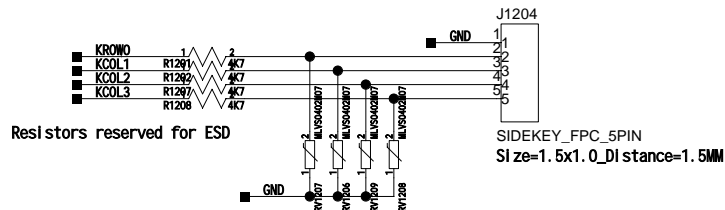
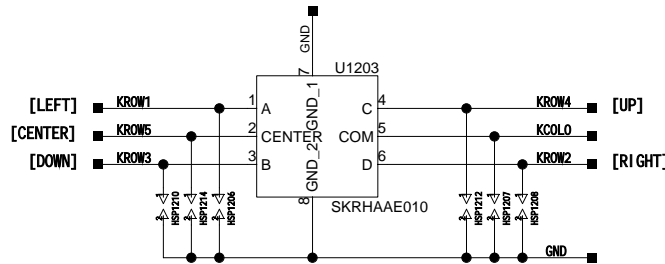
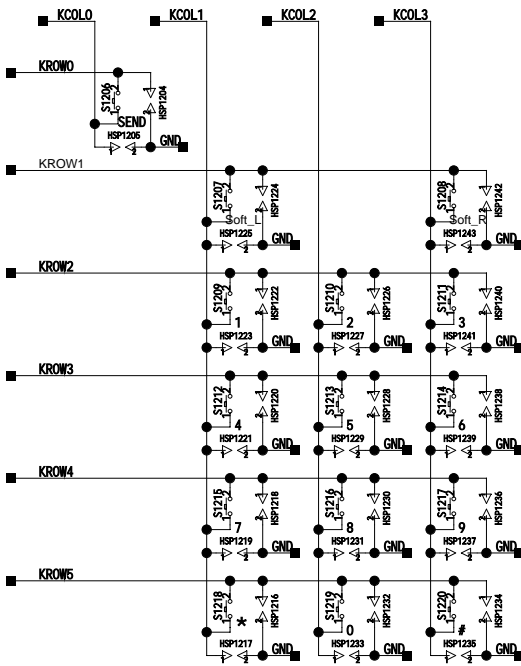
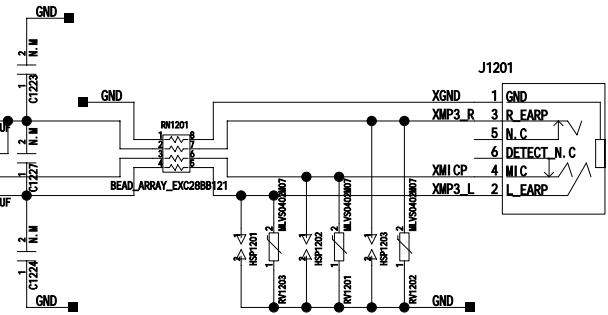
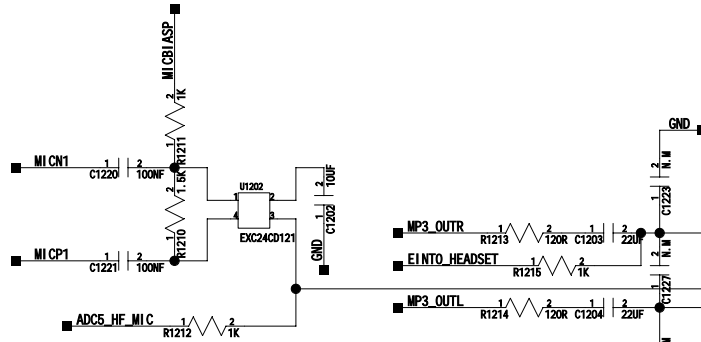
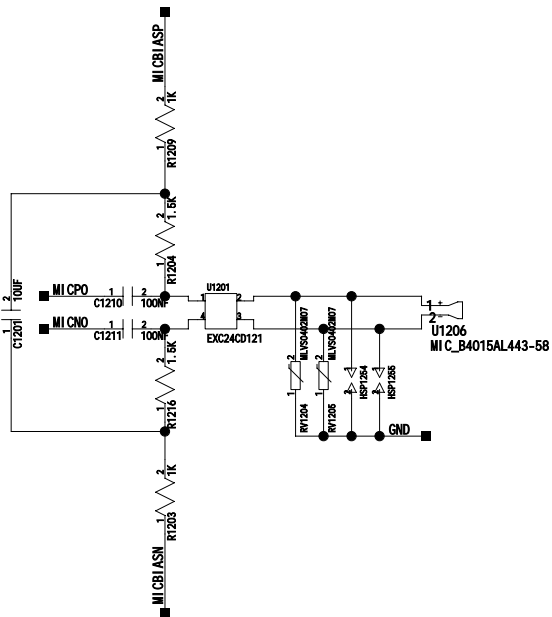
TFBGA 288PIN (282 USEFUL , 6 N.C)



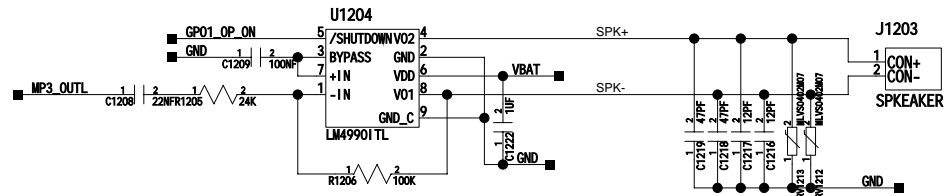
GPIO12 Output : MT6217 - 13M / 26M
MY6219 - 13M ONLY

Page - 2 : Baseband Circuit

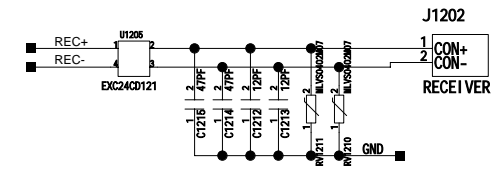
Project Name : E308(Potter)
Revision : 6 (MP)
Designer : Lin WenXi
Date : 2005-11



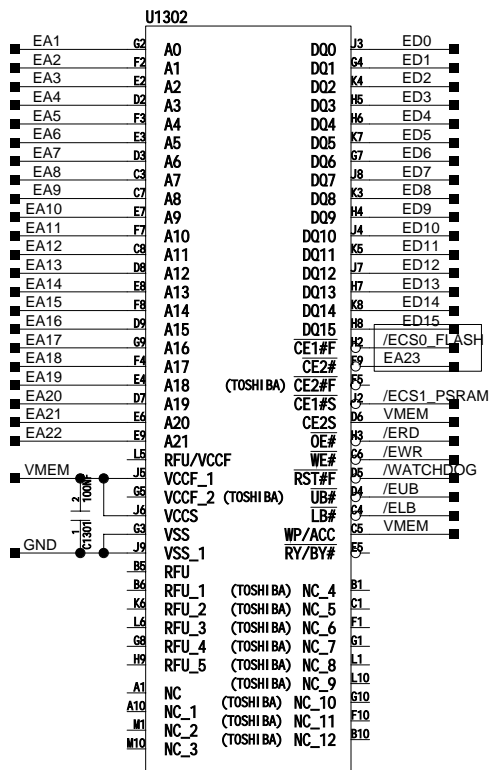
LOUDER SPEAKER



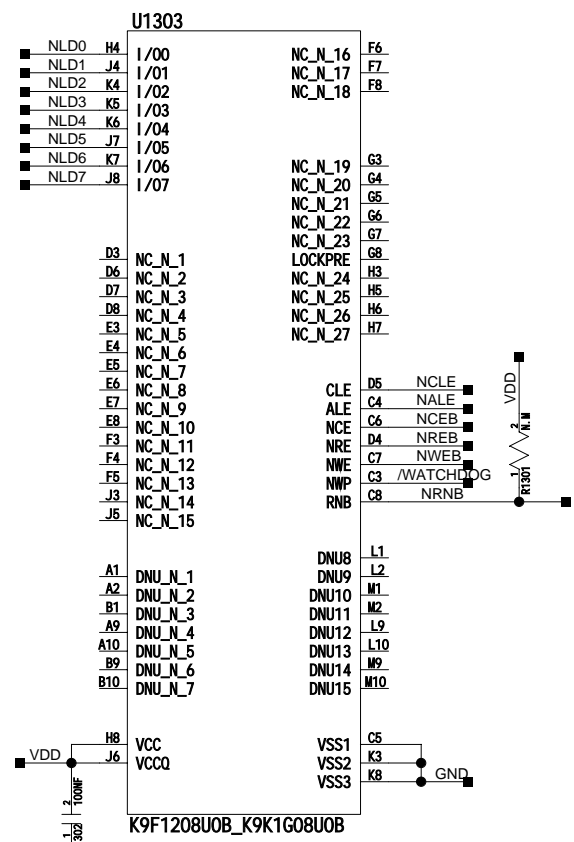
RECEIVER



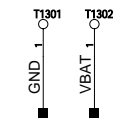
Page - 3 : AUDIO , KEYPAD
 Project Name : E308(Potter)
 Revision : 6 (MP)
 Designer : Lin WenXi
 Date : 2005-11



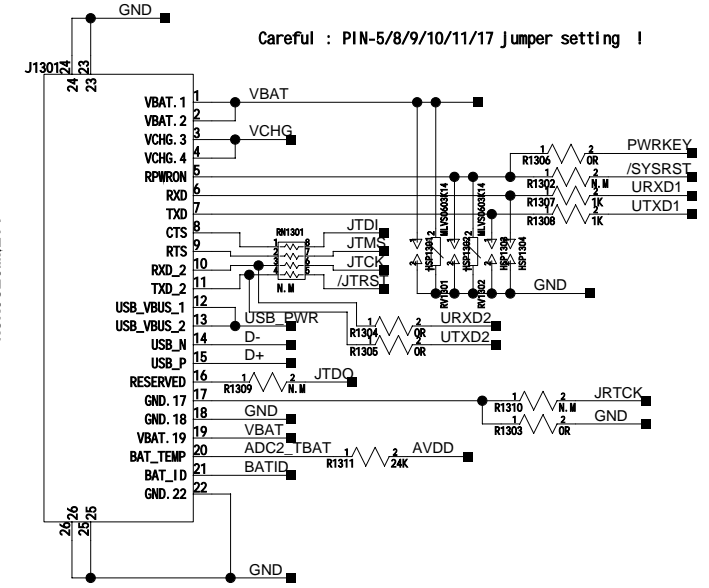
S71PL127JB0
(Single Chip Select)



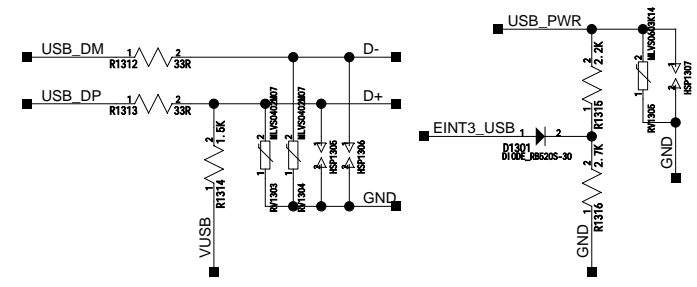
K9F1208U0B_K9K1G08U0B

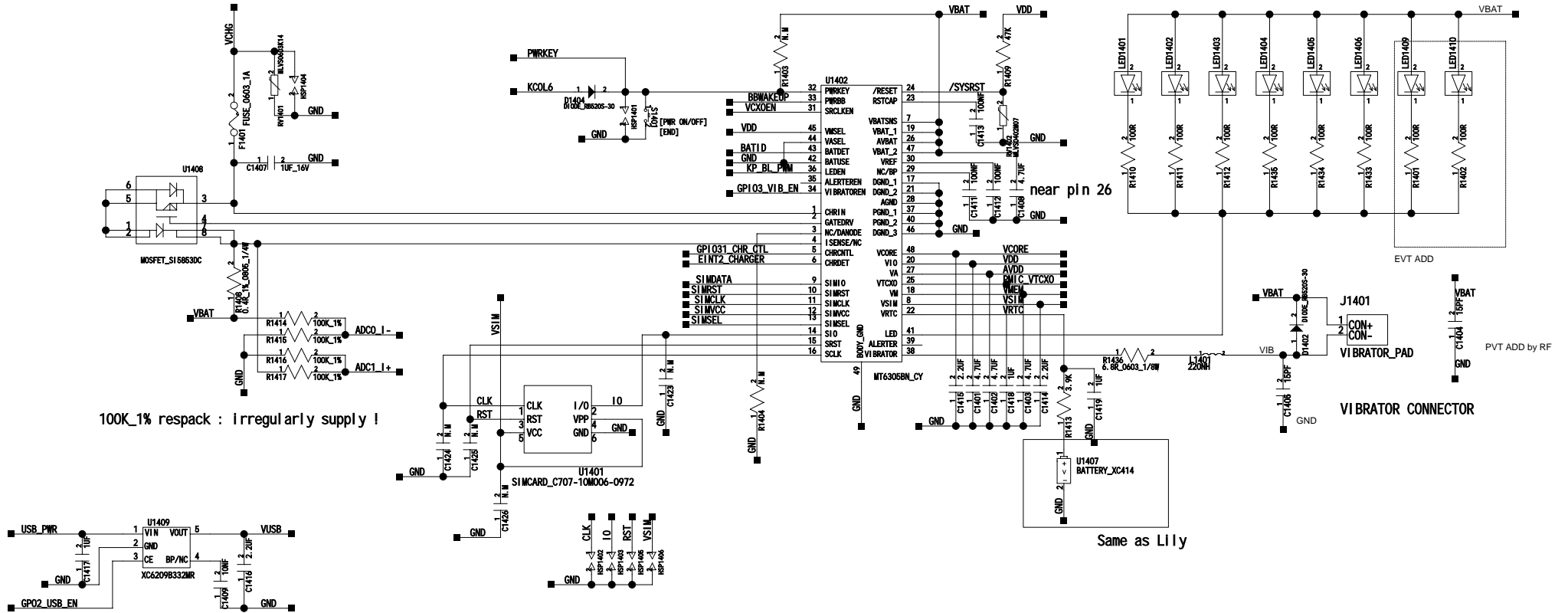


Use 2 TSPs (D=2.0mm) for MP power supply !
Modified Diameter @ 20050531




Careful : PIN-5/8/9/10/11/17 Jumper setting !



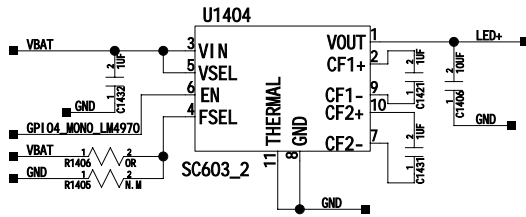


100K_1% respack : Irregularly supply !

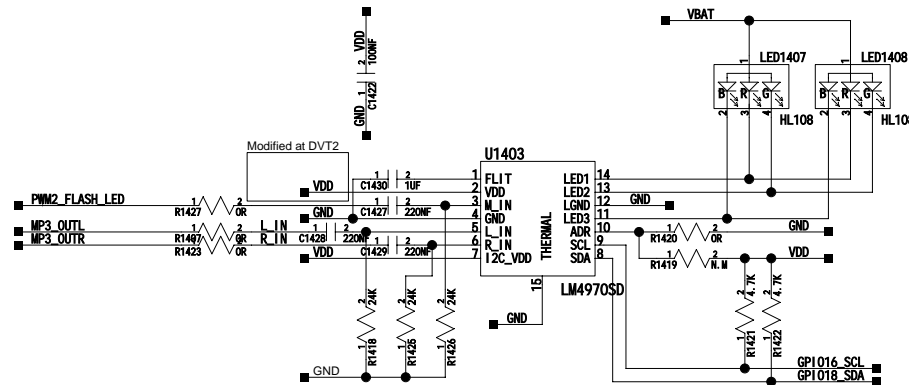
Same as Lily

J1402

 BB_SHIELD_HARRY
 Actual Size Is 36.2 mm x 20.5 mm

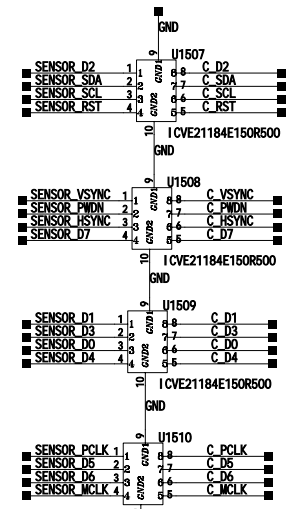
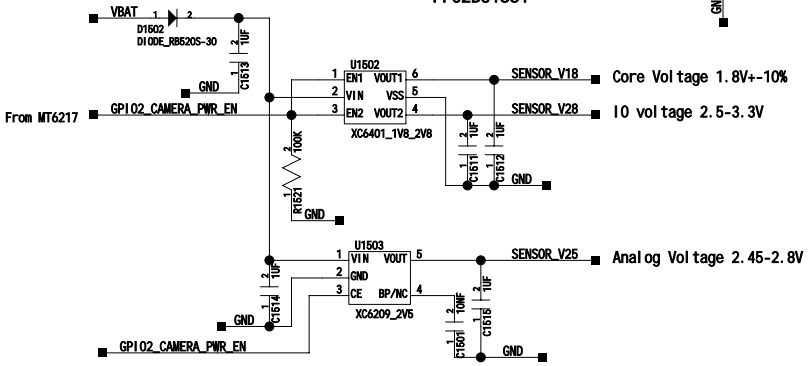
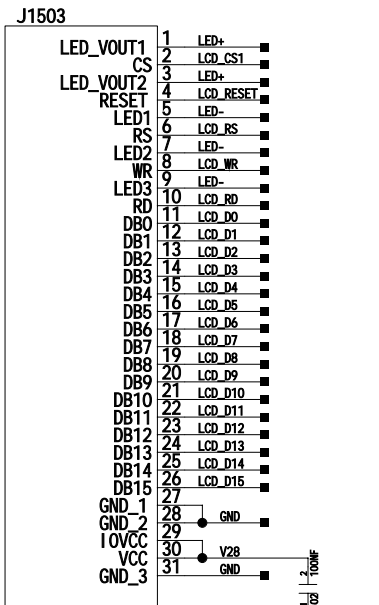
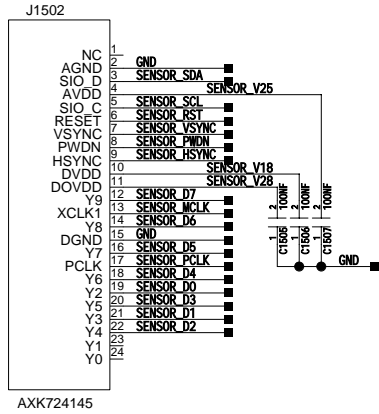
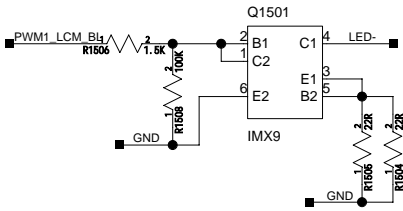
LCM (Samsung)BackLight



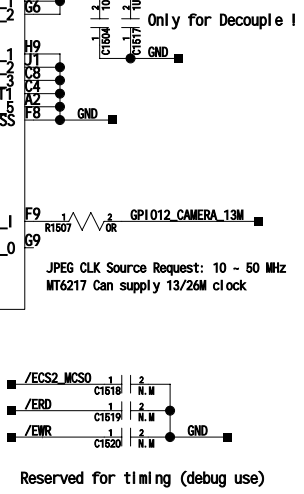
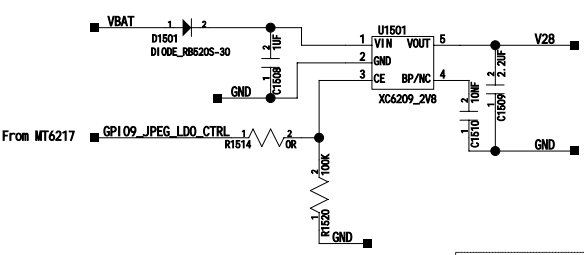
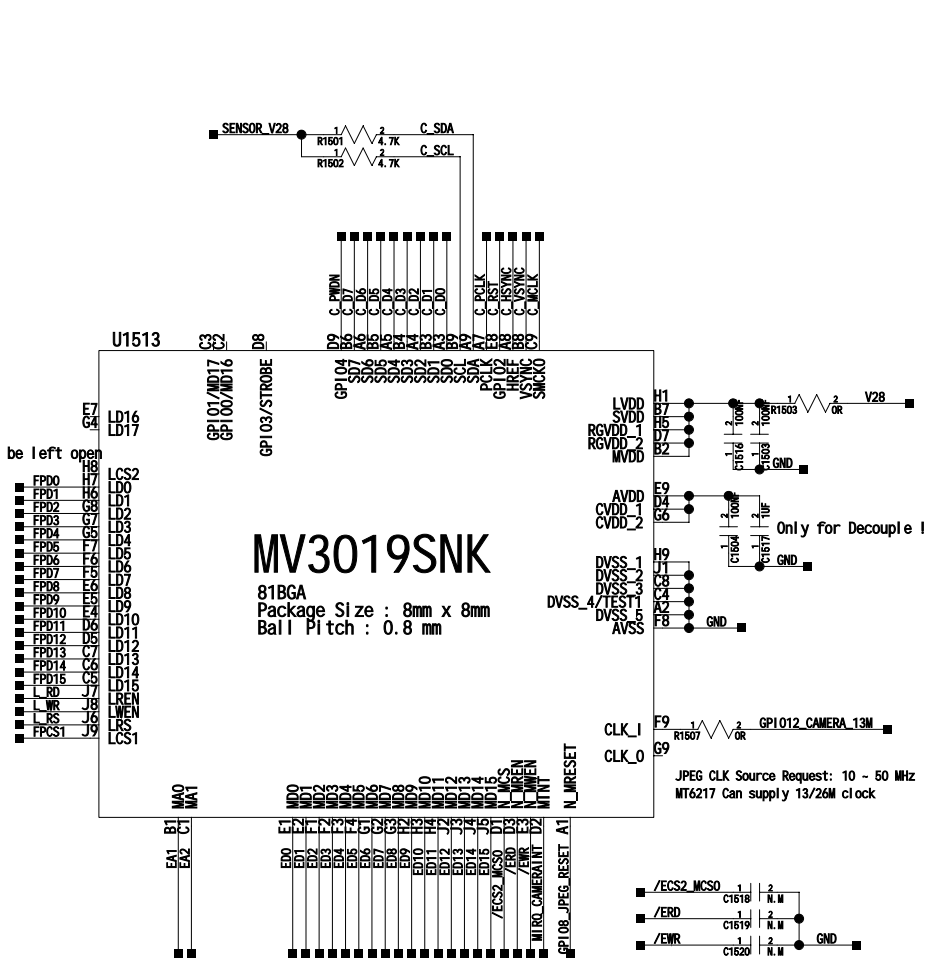
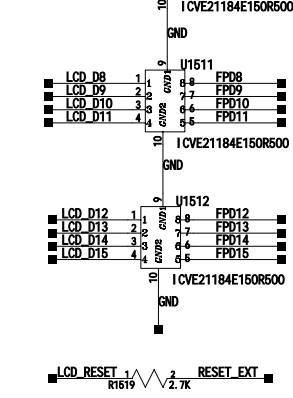
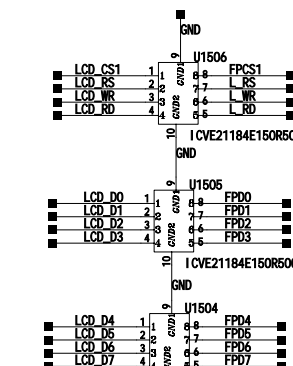
Audi Sync LED



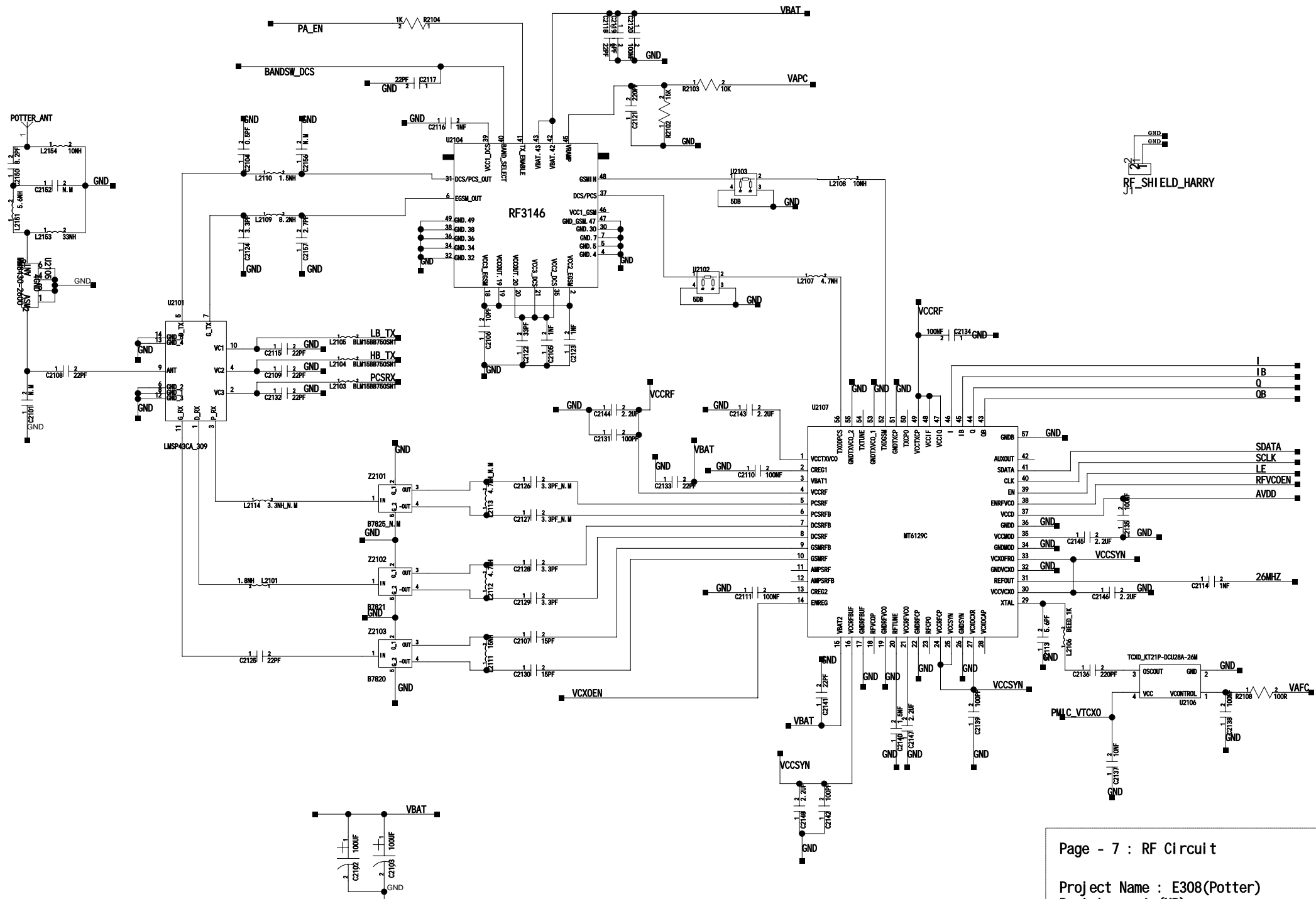
Page - 5 : PMIC , Light
 Project Name : E308(Potter)
 Revision : 6 (MP)
 Designer : Lin WenXi n
 Date : 2005-11



C_PCLK used in Harry, but not in Lily



Page - 6 : JPEG IC , CONNECTOR
 Project Name : E308(Potter)
 Revision : 6 (MP)
 Designer : Lin WenXi
 Date : 2005-11



Page - 7 : RF Circuit

Project Name : E308(Potter)
 Revision : 6 (MP)
 Designer : Zhang ChangFeng
 Date : 2005-11