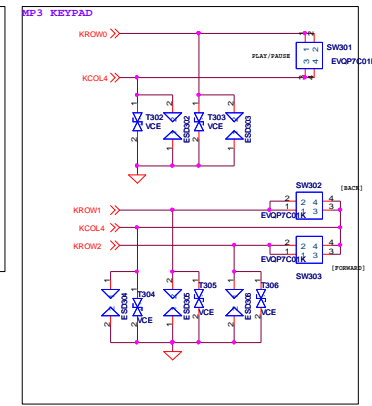
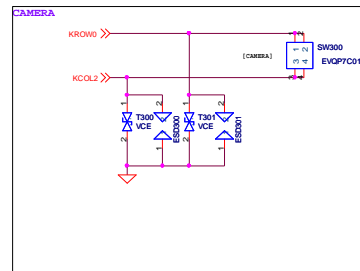
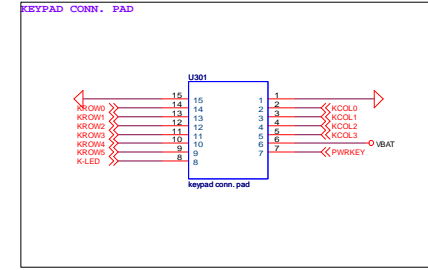
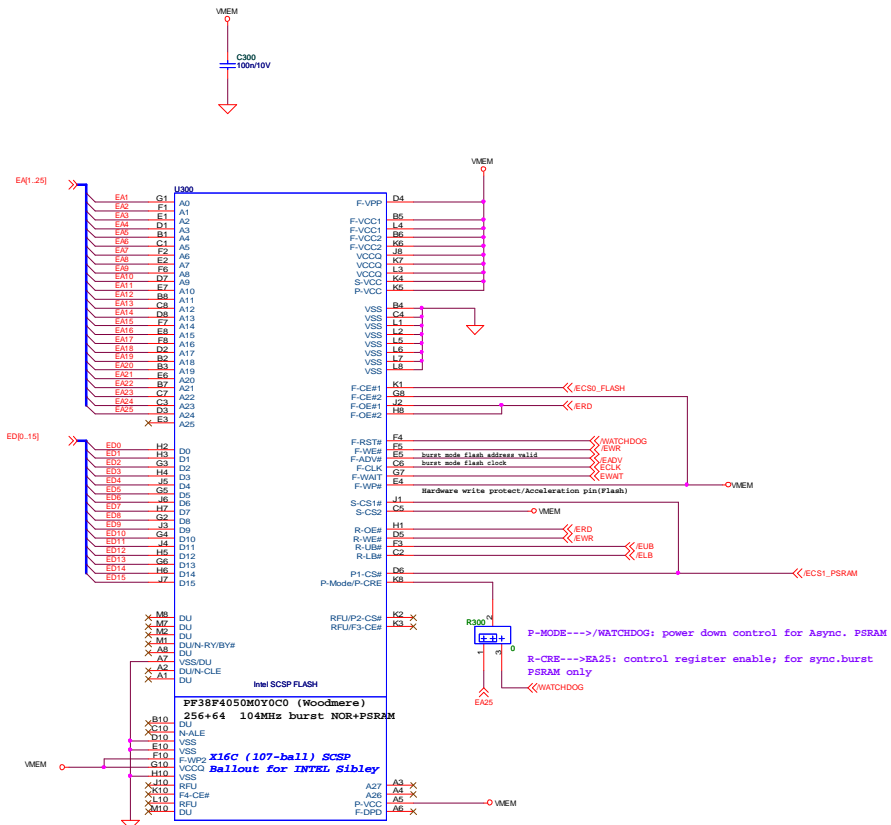
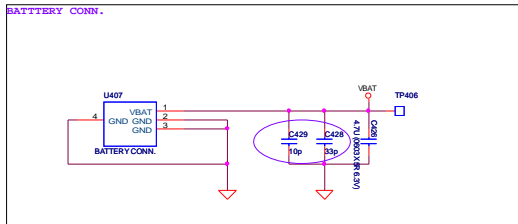
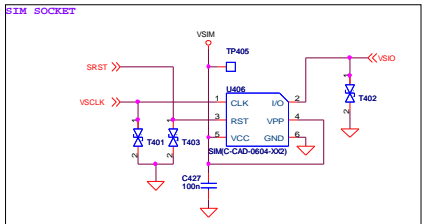
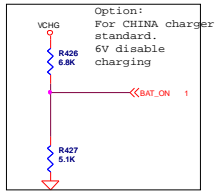
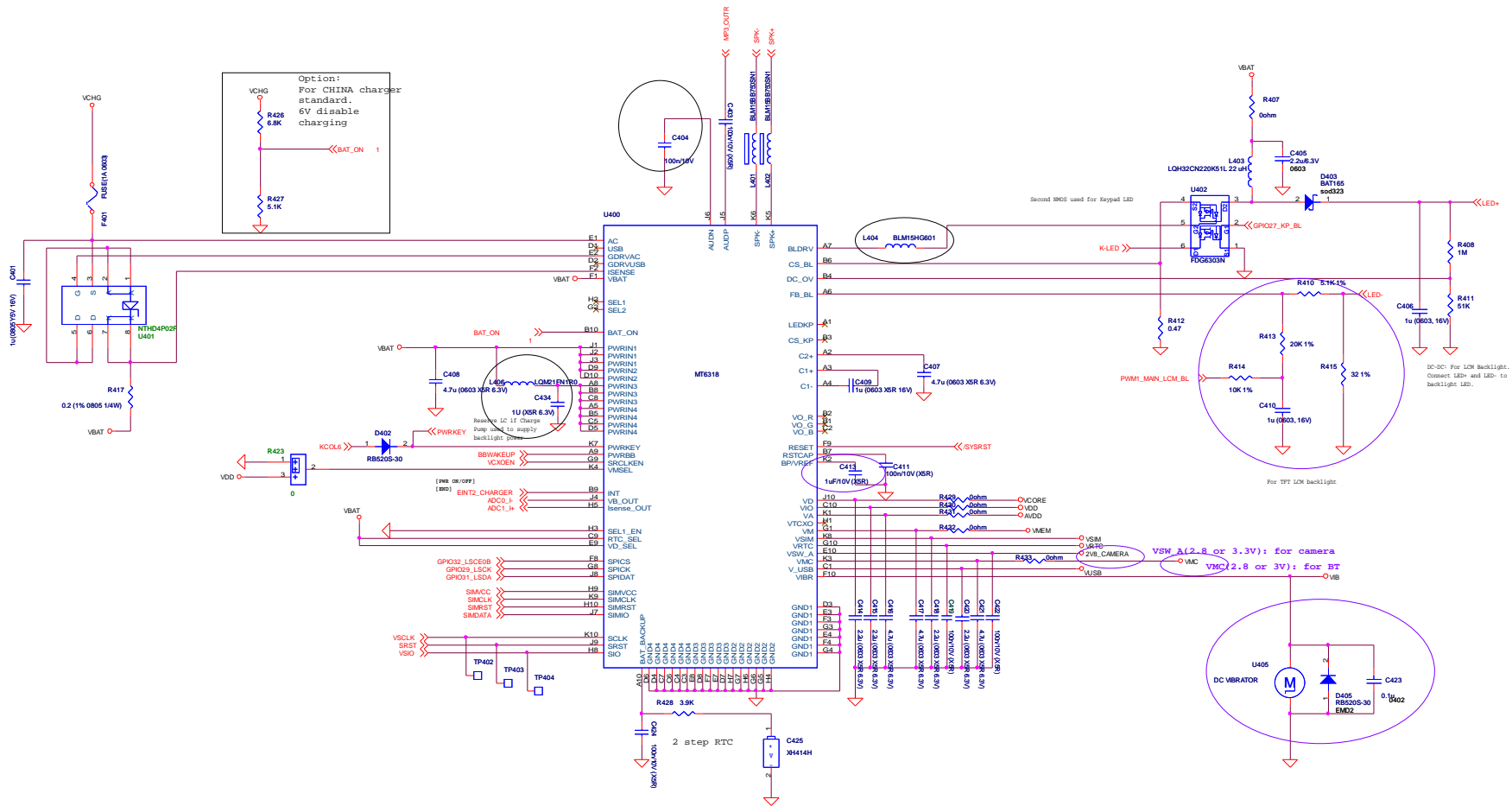


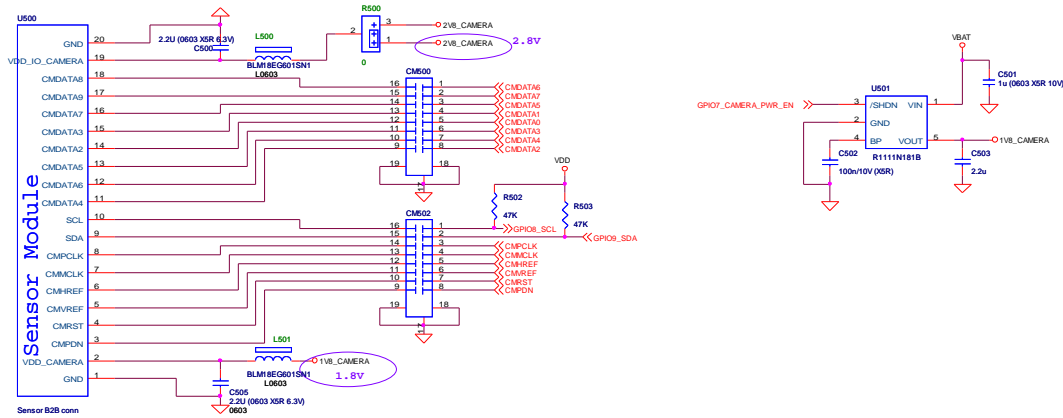
Title		
<b>Audio_IO</b>		
Size	Document Number	Rev
A3	<Doc>	<RevCode>
Date:	Friday, November 16, 2007	Sheet 1 of 6



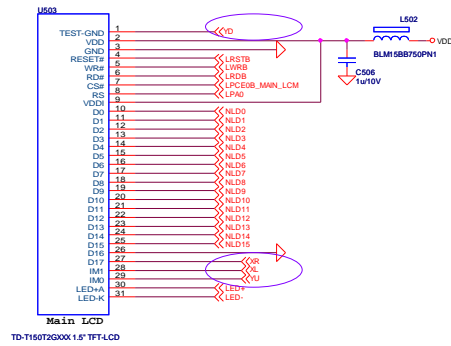
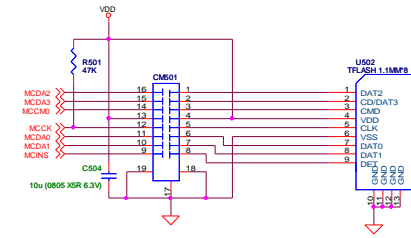
File			
<b>Memory_Keypad</b>			
Size	Document Number	Rev	Code
A2	<Doc>		<Rev Code>
Date:	Friday, November 16, 2007	Sheet	1 of 8



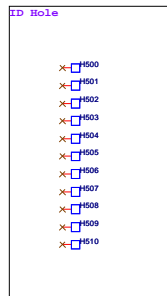
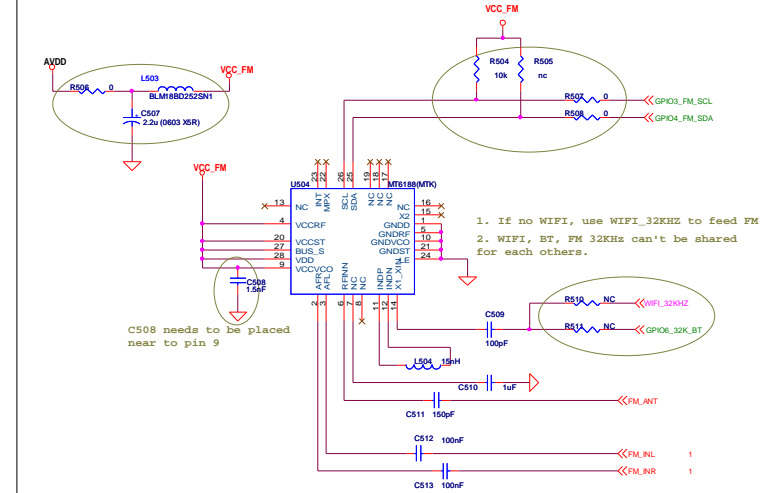
File	<b>MT6318</b>		Rev	Code
Size	Document Number			
A2	<Doc>			
Date:	Friday, November 16, 2007	Sheet	1	of 6



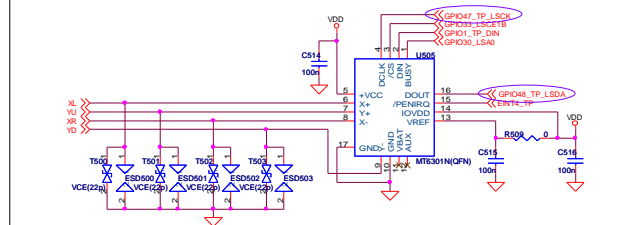
**microSD socket**

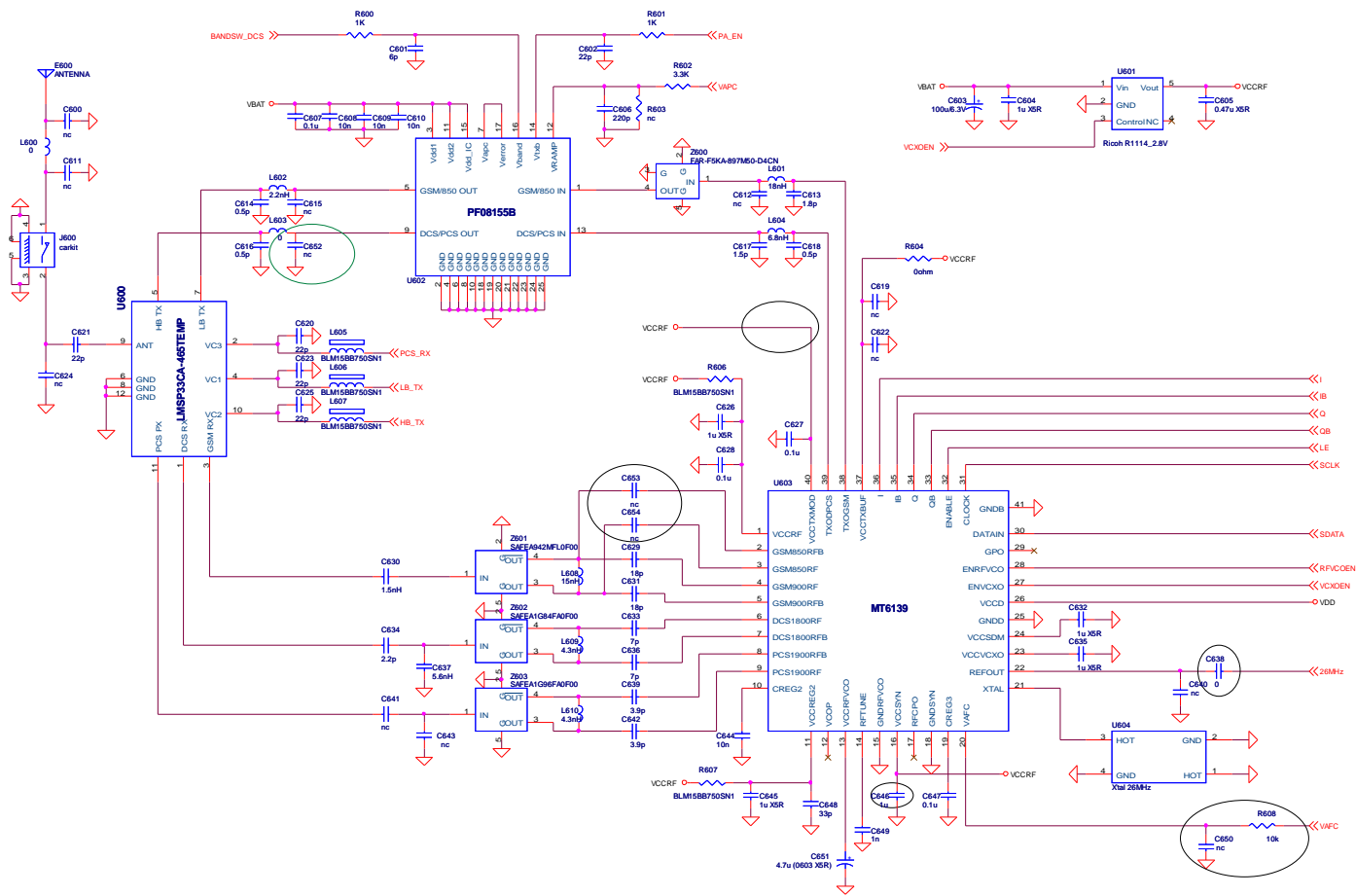


**MT6188 FM**



**MT6301 Touch Panel Controller**





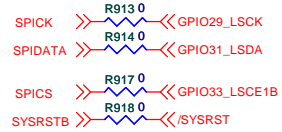
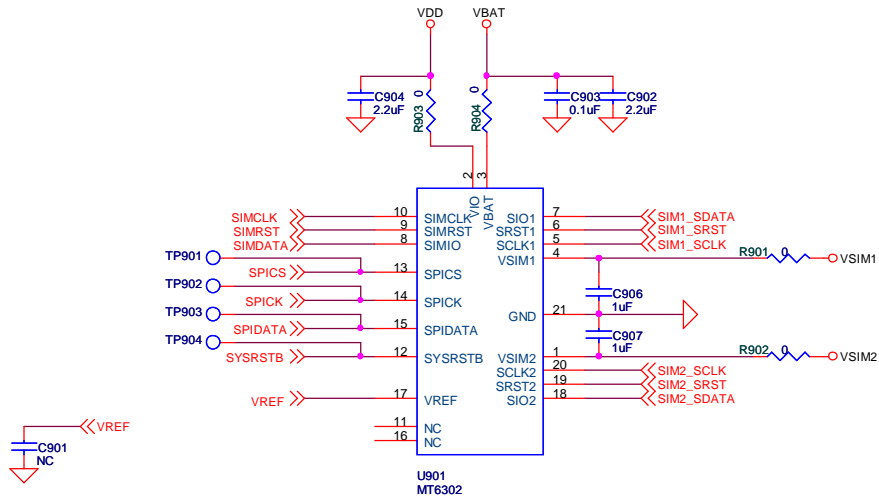
File	<b>MT6139</b>		Rev
Size	Document Number	<Doc>	<Rev Code>
A2			
Date:	Friday, November 16, 2007	Sheet	1 of 8



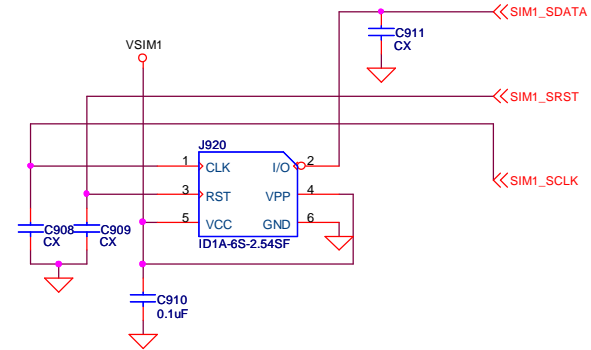




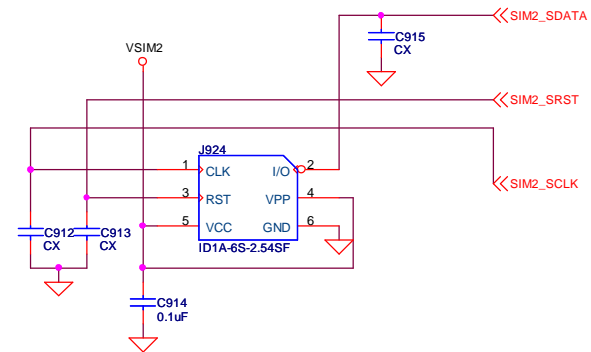
Dual SIM Power Supply and Interface  
Near to SIM card



SIM1



SIM2



Title		
<b>MT6302</b>		
Size	Document Number	Rev
A4	MT6225	
Date:	Friday, November 16, 2007	Sheet 1 of 1