

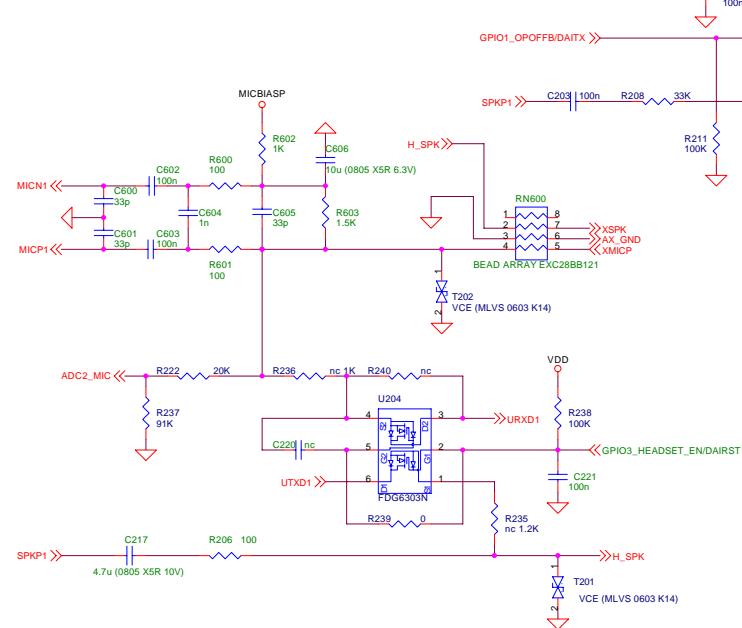
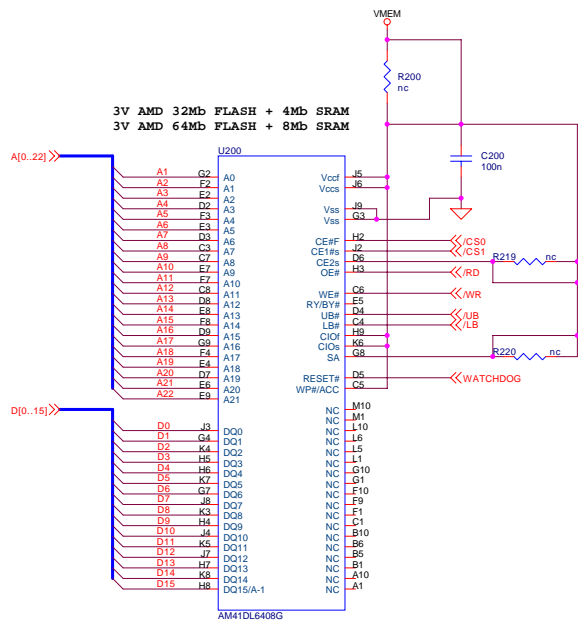
DAI, JTAG TEST POINT

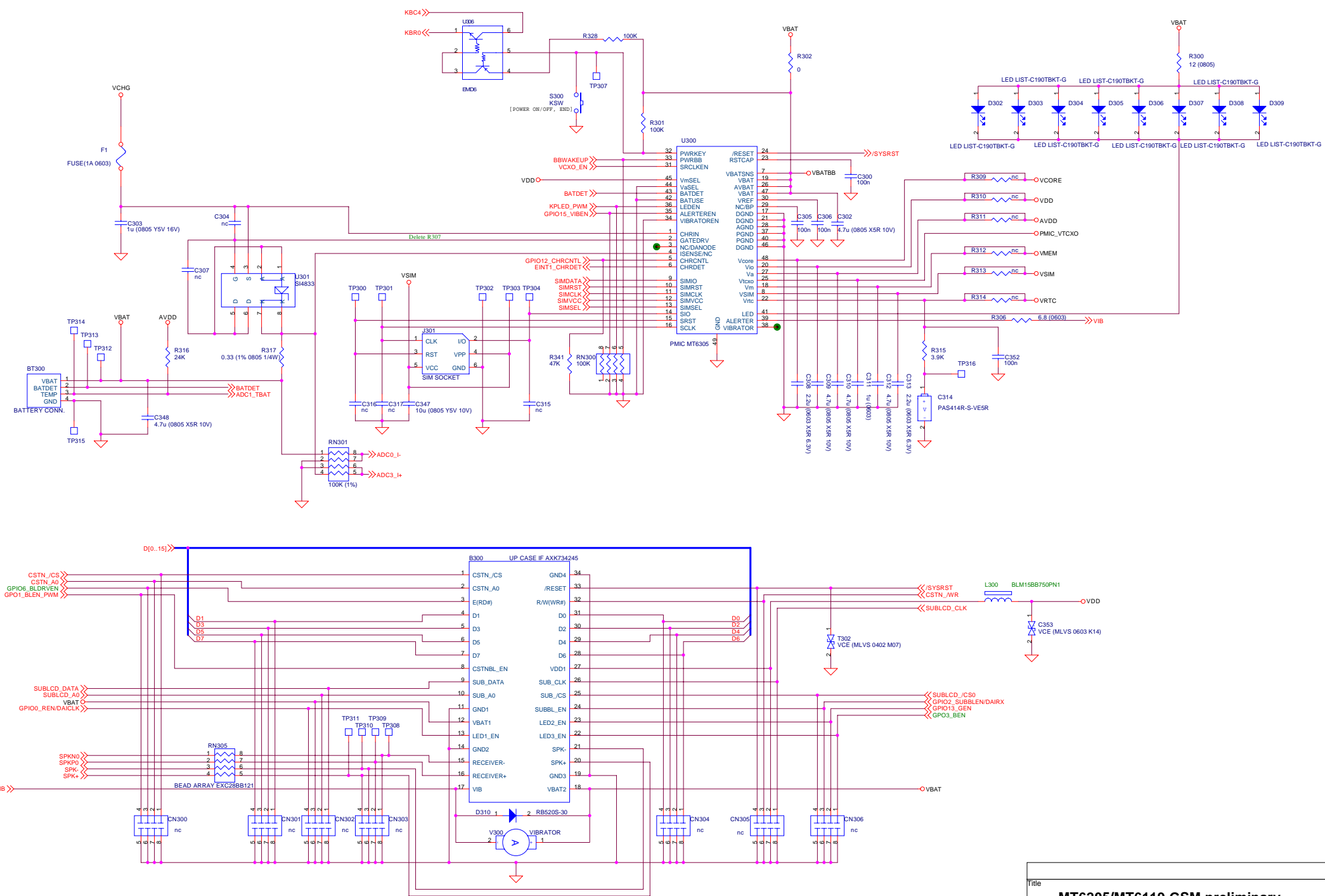
- (GP101) GPIO1_OPOFFB/DAITX >> TP105
- GPIO2_SUBBLENDAIRX >> TP109
- (GP100) GPIO0_REN/DAICLK >> TP113
- GPIO3_HEADSET_ENDAIRST >> TP115
- JTDI >> TP104
- JTMS >> TP108
- JTCK >> TP110
- JTRST >> TP114
- JTDO >> TP117

UART1/UART2 TEST POINT

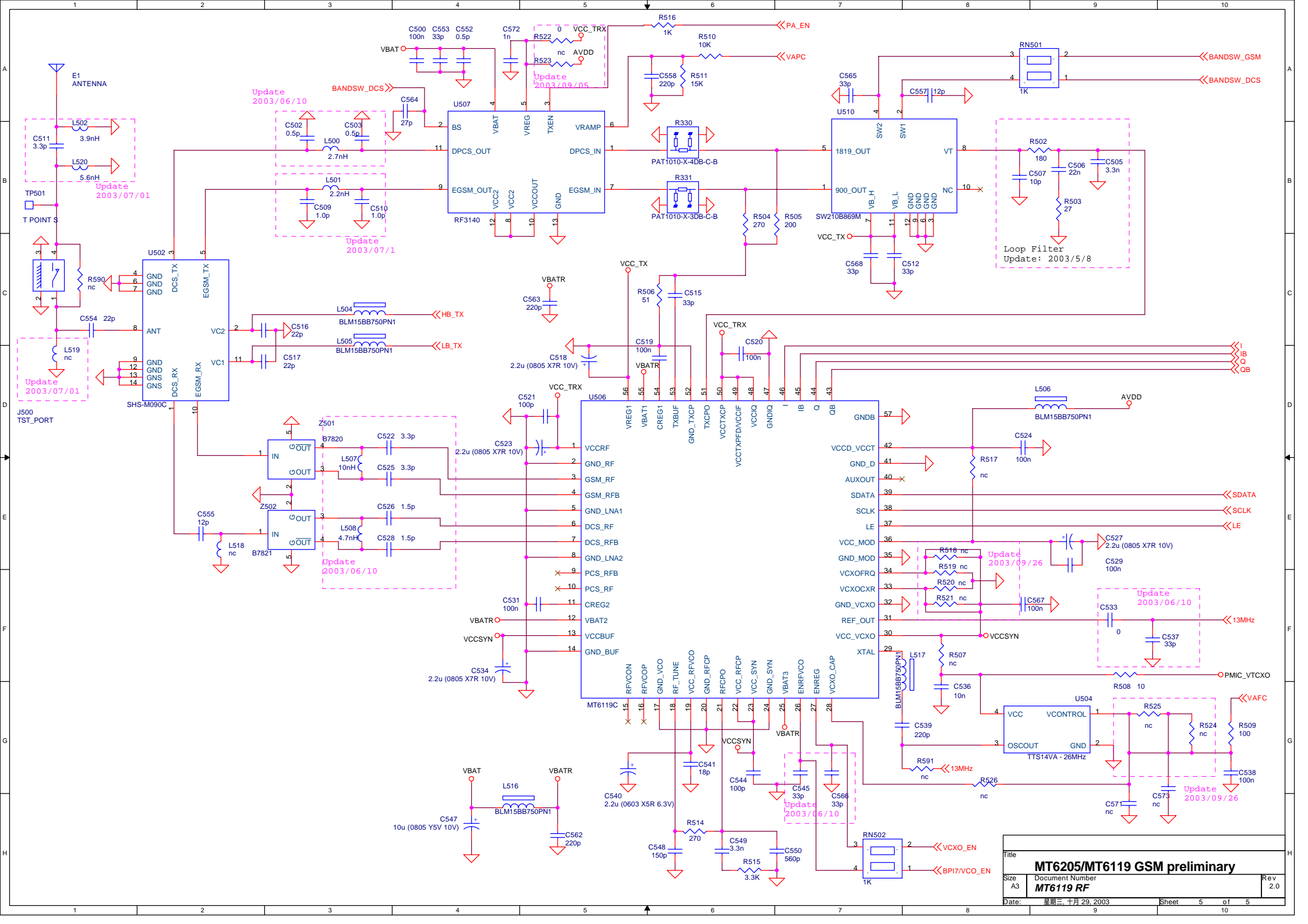
- UTXD1 >> TP106 (UDTR1) URTS2 >> TP103
- URXD1 << TP102 (UDSR1) UCTS2 << TP107
- URTS1 >> TP111 UTXD2 >> TP116
- UCTS1 << TP119 URXD2 << TP118

Title			MT6205/MT6119 GSM preliminary		
Size	Document Number				Rev
A3	MT6205 BB				
Date:	星期三, 十月 29, 2003	Sheet	1	of	4





Title		
MT6205/MT6119 GSM preliminary		
Size	Document Number	Rev
A3		
MT6305, FPC CONNECTOR		
Date:	星期三, 十月 29, 2003	Sheet 3 of 4



Title		MT6205/MT6119 GSM preliminary	
Size	A3	Document Number	MT6119 RF
Date:	星期三, 十月 29, 2003	Sheet	5 of 5