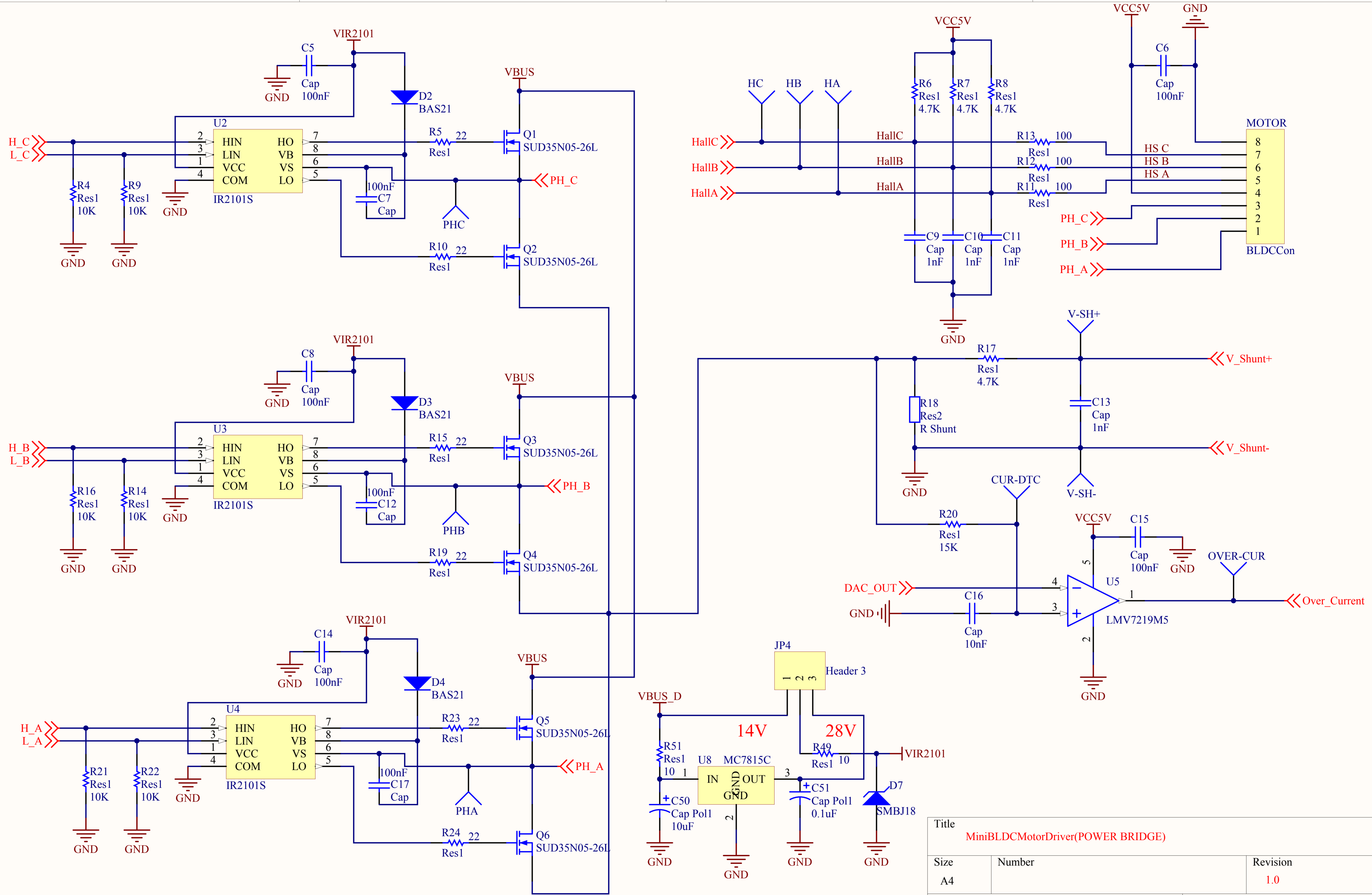
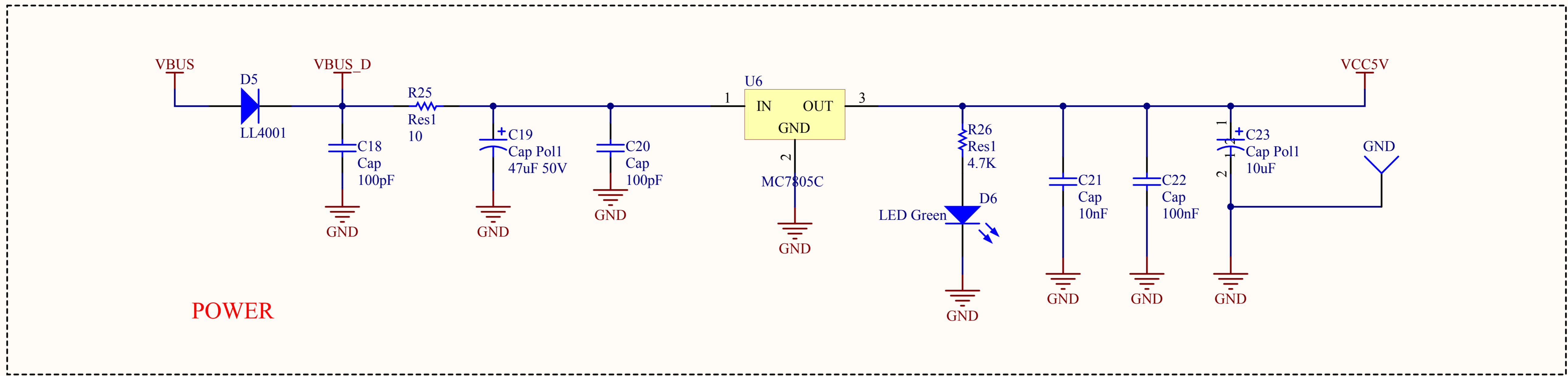


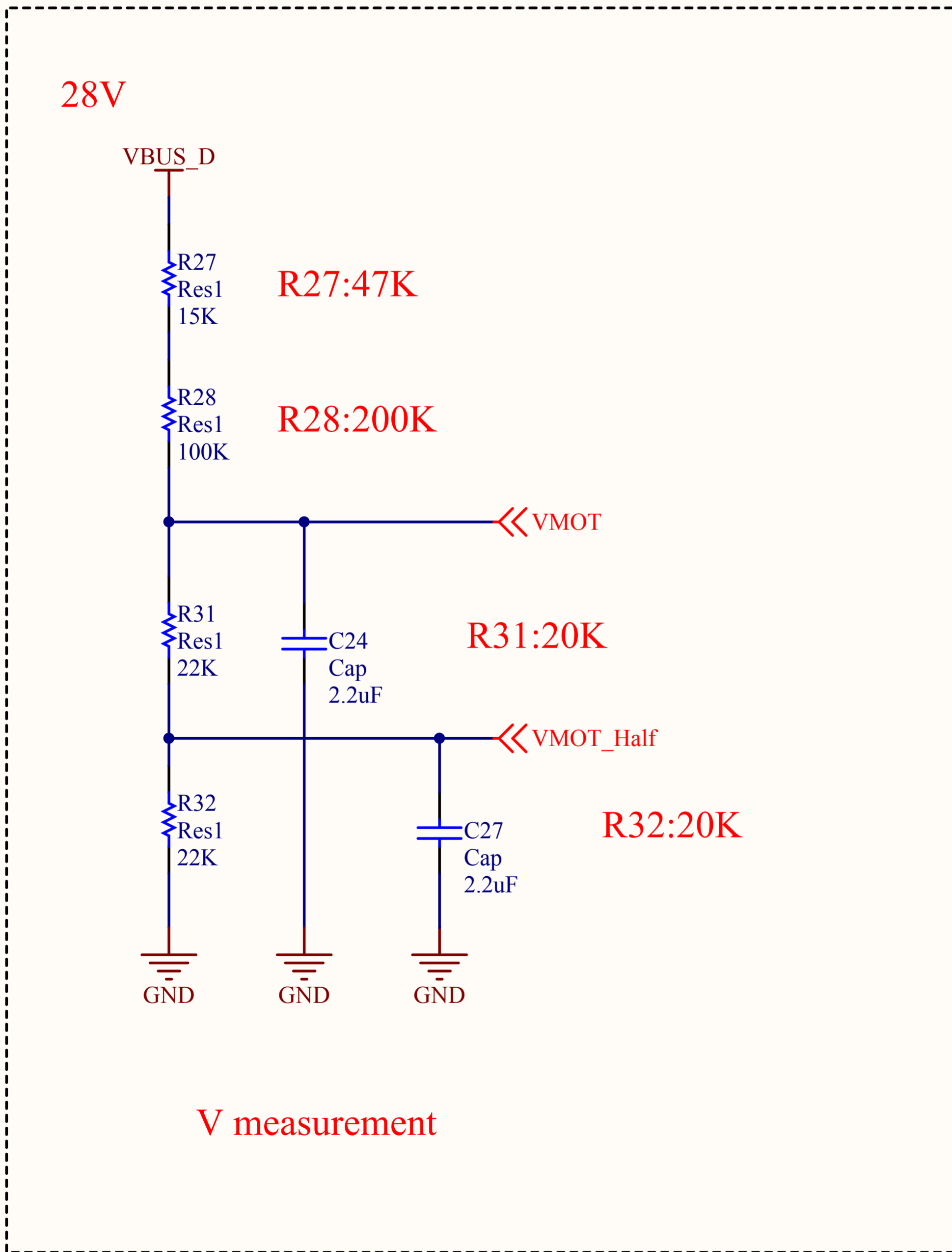
Title		
MiniBLDCMotorDriver(POWER BRIDGE)		
Size	Number	Revision
A4		1.0
Date:	2008-9-6	Sheet 2 of 4
File:	D:\important\...\MicroController.SchDoc	Drawn By:



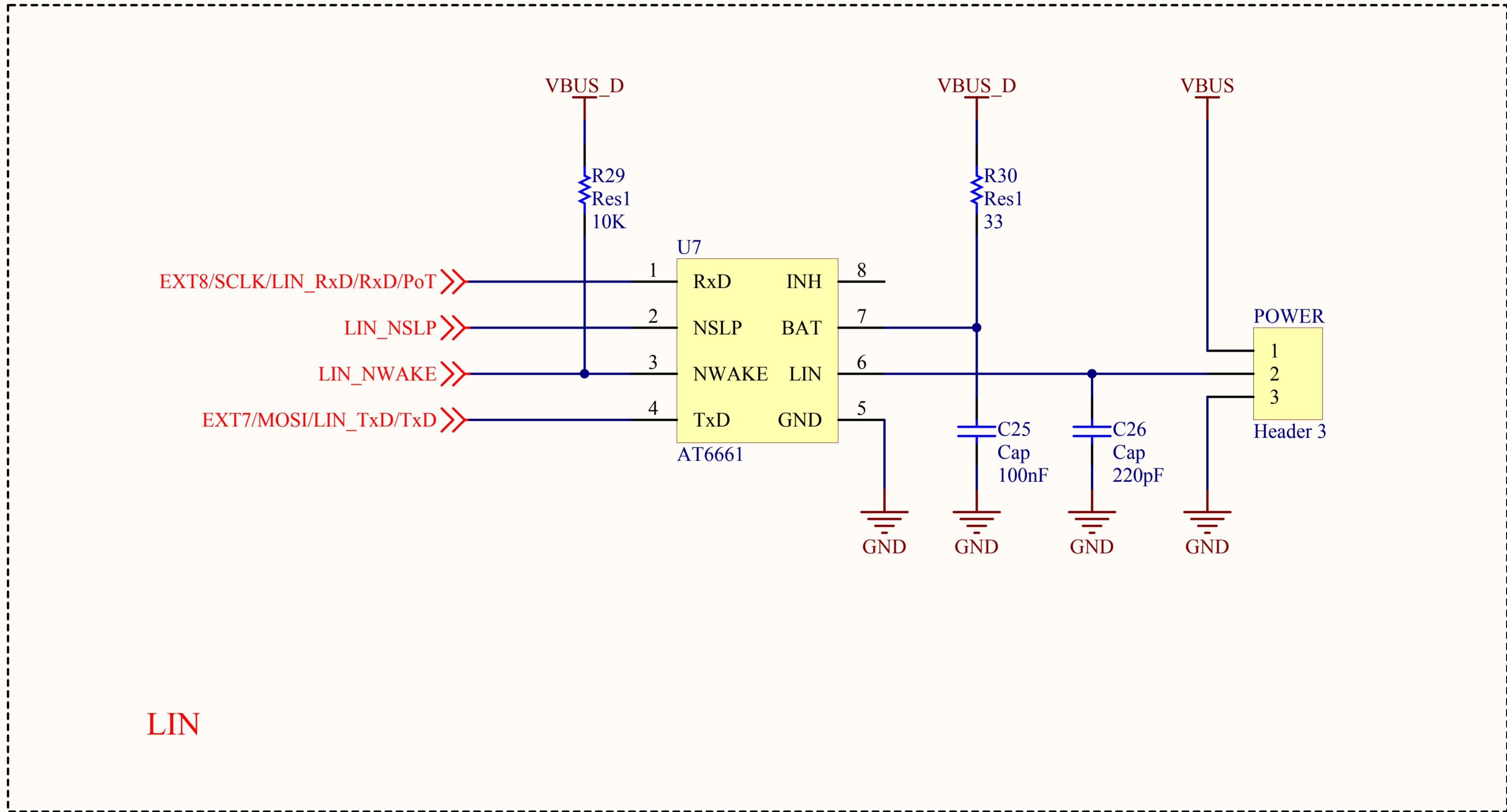
Title		
MiniBLDCMotorDriver(Power BRIDGE)		
Size	Number	Revision
A4		1.0
Date:	2008-9-6	Sheet 2 of 4
File:	D:\important\POWER BRIDGE.SchDoc Drawn By:	



POWER

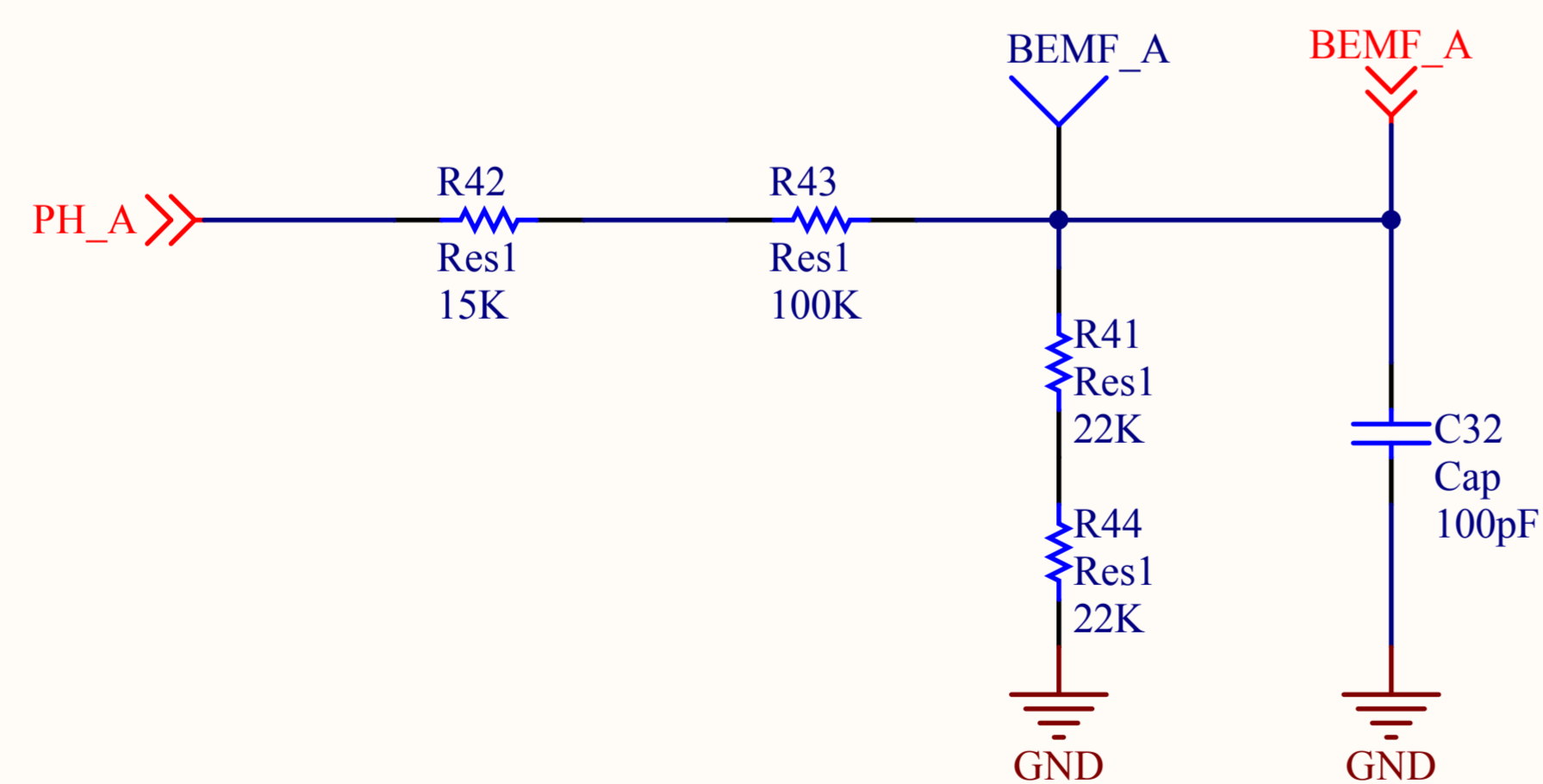
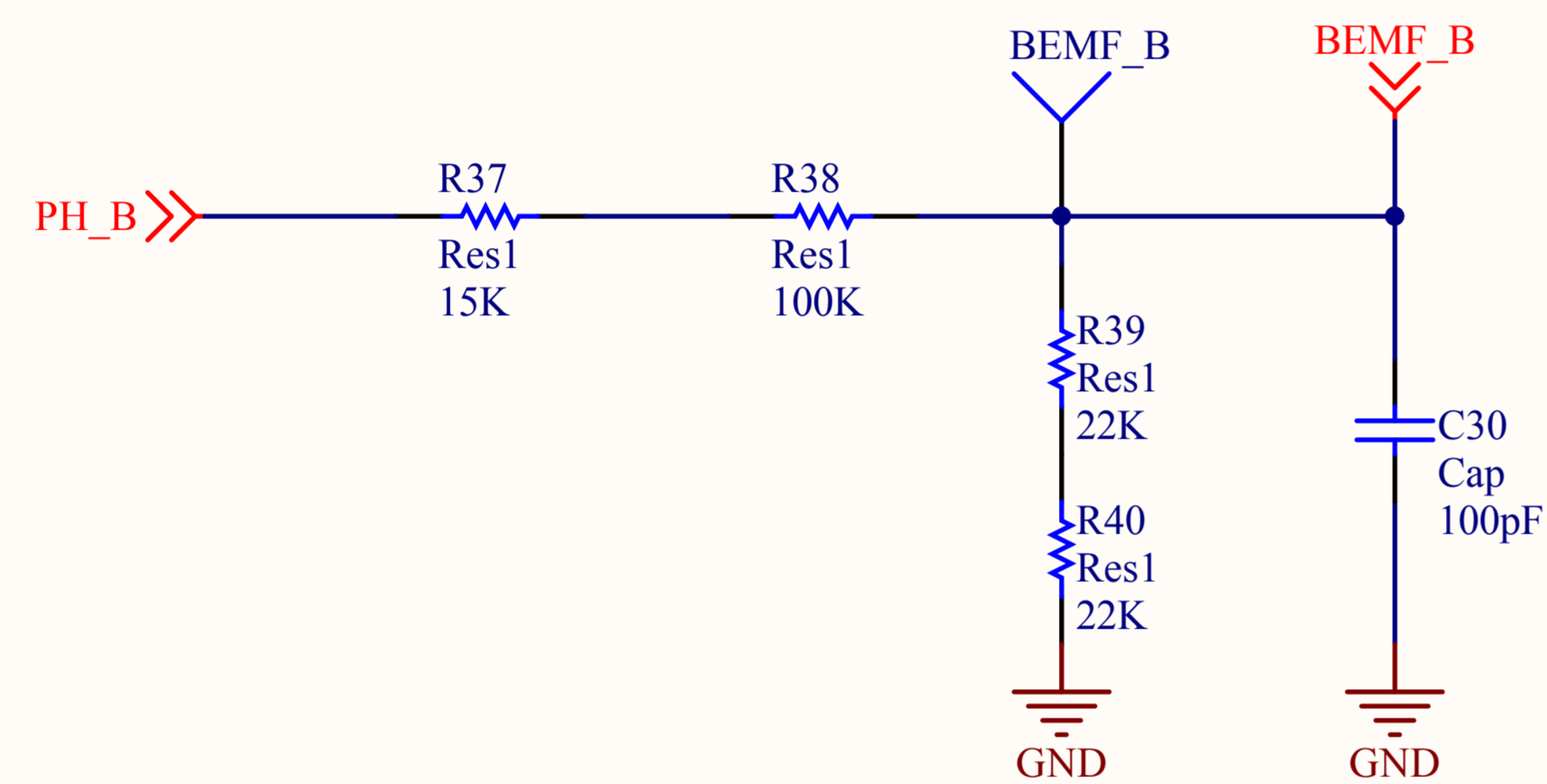
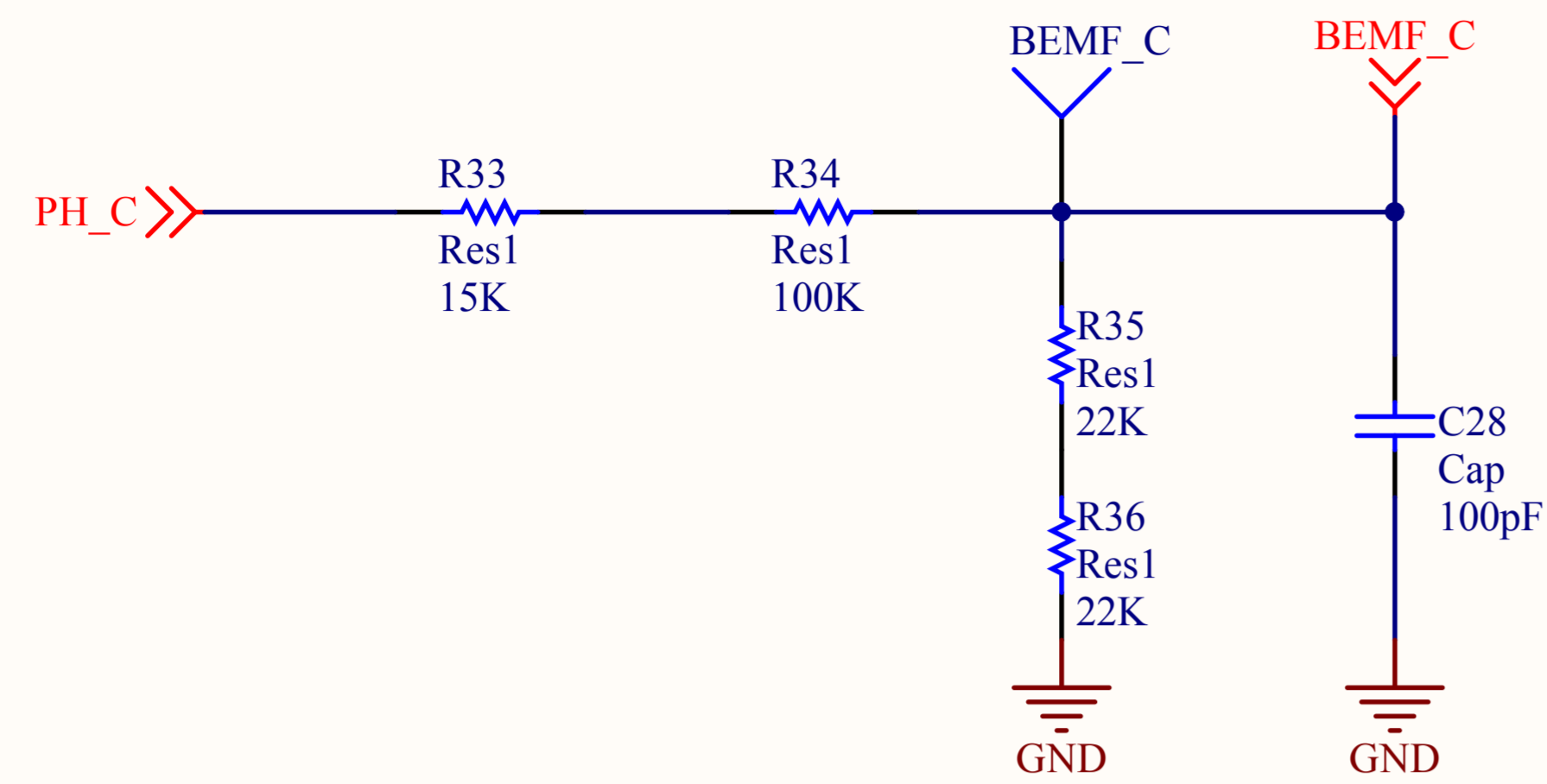


V measurement



LIN

Title		
MiniBLDCMotorDriver(Power+LIN)		
Size	Number	Revision
A4		1.0
Date:	2008-9-6	Sheet 2 of 4
File:	D:\important\...\POWER+LIN.SchDoc	Drawn By:



Title		
MiniBLDCMotorDriver(ZCD Detection)		
Size	Number	Revision
A4		1.0
Date:	2008-9-6	Sheet 2 of 4
File:	D:\important\..\ZCD Detection.SchDoc	Drawn By:

