

6

5

4

3

2

1

D

D

C

C

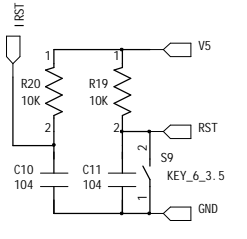
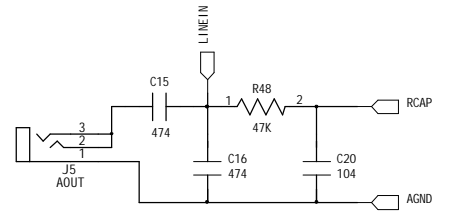
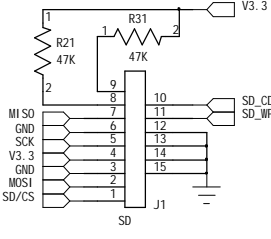
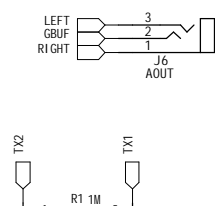
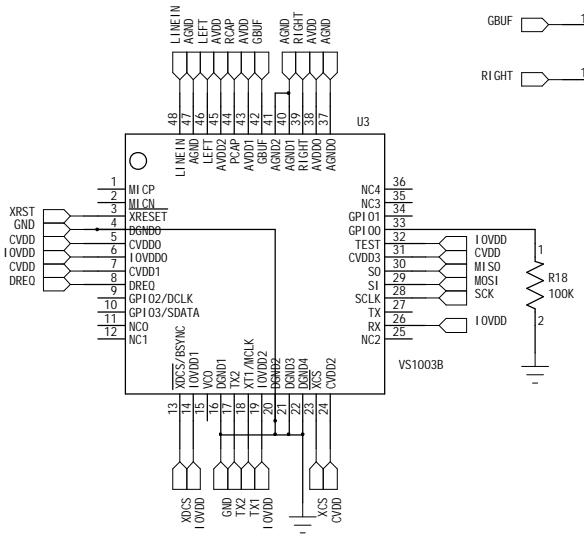
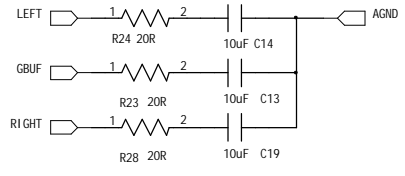
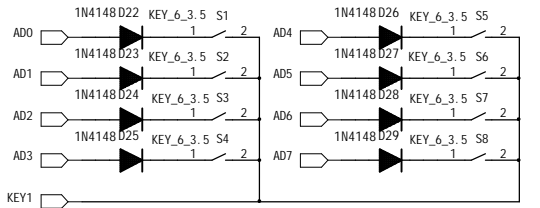
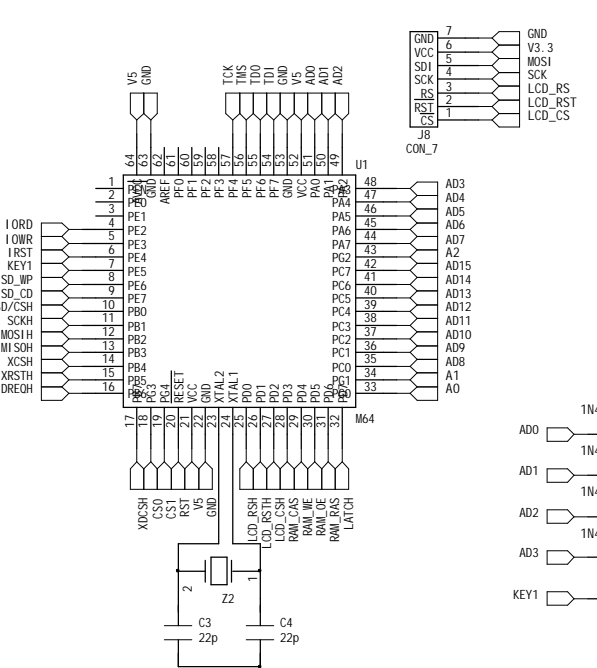
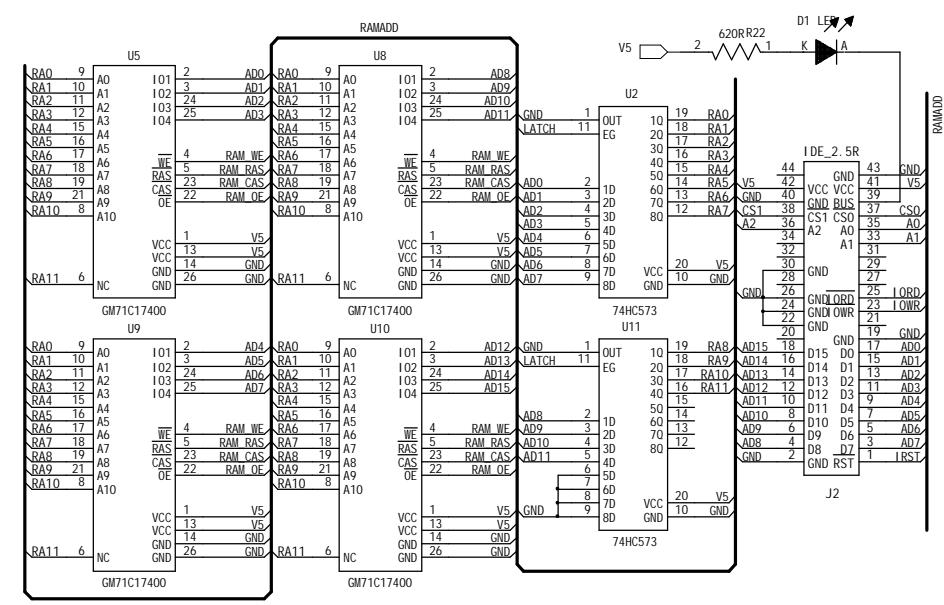
B

B

A

A

REVISION RECORD			
LTR	ECO NO:	APPROVED:	DATE:



COMPANY: IDE_MP3			
TITLE:			
CODE:	SIZE:	DRAWING NO:	REV:
B		SHEET: 1 OF 2	

DRAWN:	DATED:
CHECKED:	DATED:
QUALITY CONTROL:	DATED:
RELEASED:	DATED:

6

5

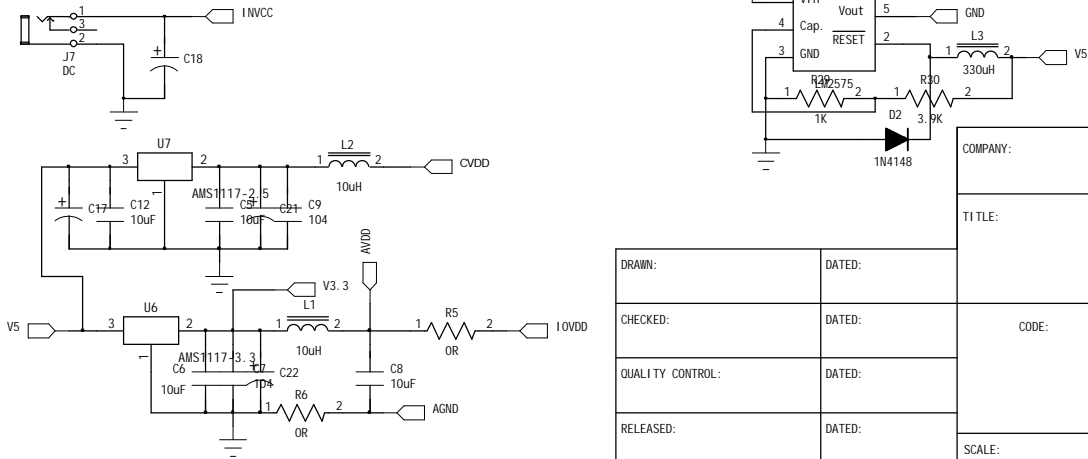
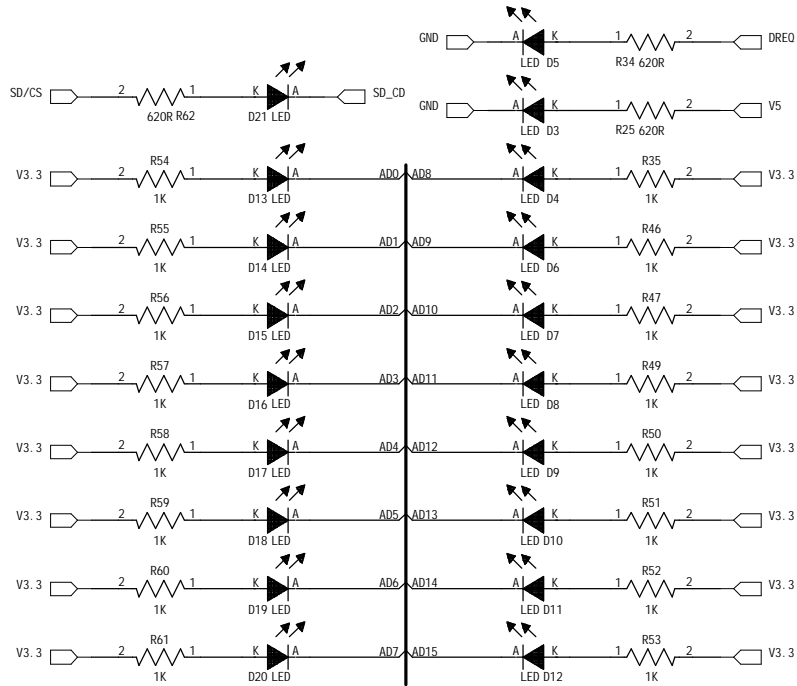
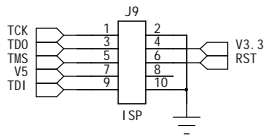
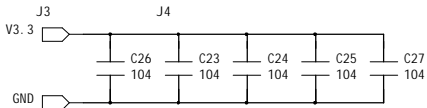
4

3

2

1

44		43	43	GND	44
42	GND	41	41	VCC VCC	42
40	VCC VCC	39	39	VCC VCC	40
38	GND BUS	37	37	BUS GND	38
36	CS1 CS0	35	35	CS0 CS1	36
34	A2 A0	33	33	A0 A2	34
32	A1	31	31	A1	32
30	GND	29	29	GND	30
28	GND	27	27	GND	28
26	GND	25	25	GND	26
24	GND LDR	23	23	LDR GND	24
22	GND DWR	21	21	DWR GND	22
20	GND	19	19	GND	20
18	D15 D0	17	17	D0 D15	18
16	D14 D1	15	15	D1 D14	16
14	D13 D2	13	13	D2 D13	14
12	D12 D3	11	11	D3 D12	12
10	D11 D4	9	9	D4 D11	10
8	D10 D5	7	7	D5 D10	8
6	D9 D6	5	5	D6 D9	6
4	D8 D7	3	3	D7 D8	4
2	GND RST	1	1	RST GND	2



REVISION RECORD			
LTR	ECO NO:	APPROVED:	DATE:

COMPANY: IDE_MP3			
TITLE:			
DRAWN:	DATED:	CODE:	REV:
CHECKED:	DATED:	SIZE:	DRAWING NO:
QUALITY CONTROL:	DATED:	B	
RELEASED:	DATED:		
SCALE:			SHEET: 2 OF 2