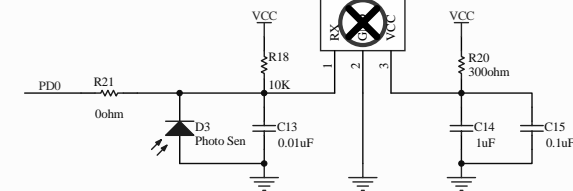
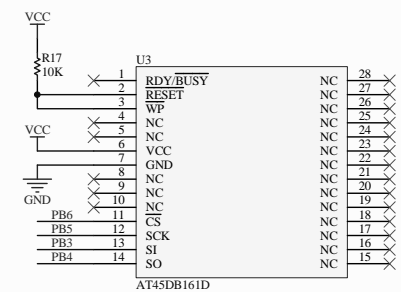
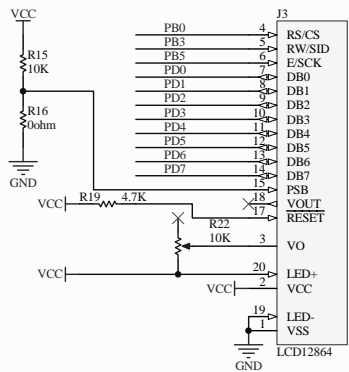
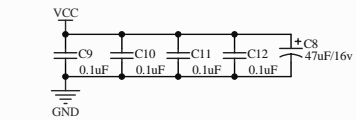
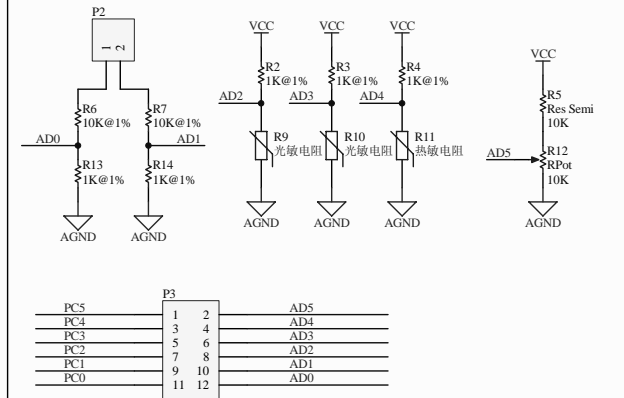
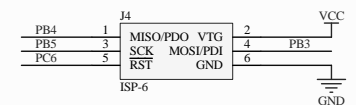


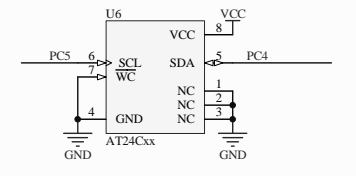
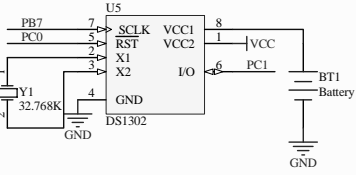
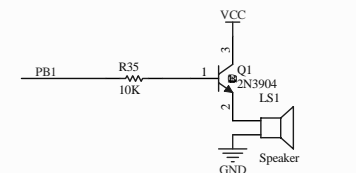
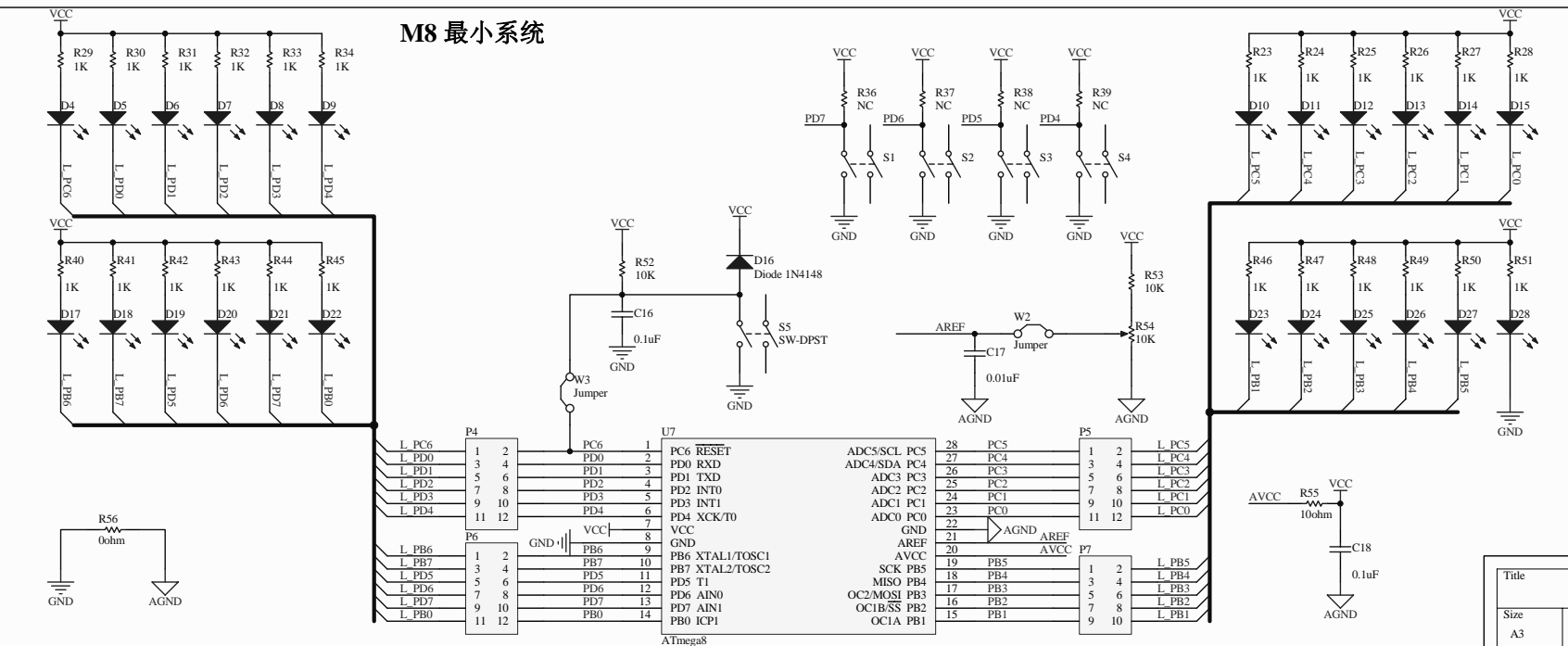
ADC模块



ISP模块



M8 最小系统



Title		
Size	Number	Revision
A3		
Date:	2008-6-5	Sheet of
File:	F:\AT M8\Sheet1.SchDoc	Drawn By: