

+3.3V

nINT[3..0]

+3.3V  
R1  
10K

+3.3V  
RN1  
10K

nINT0 8  
nINT1 10  
nINT2 11  
nINT3 13

nIACK

nIACK 15

nNMI/WDTOUT

nNMI/WDTOUT 14

nRESET

nRESET 162

CCLK

TP1  
TestPoint

T 1

X1  
CCLK 63

TCK

TCK 160

TDI

TDI 158

TDO

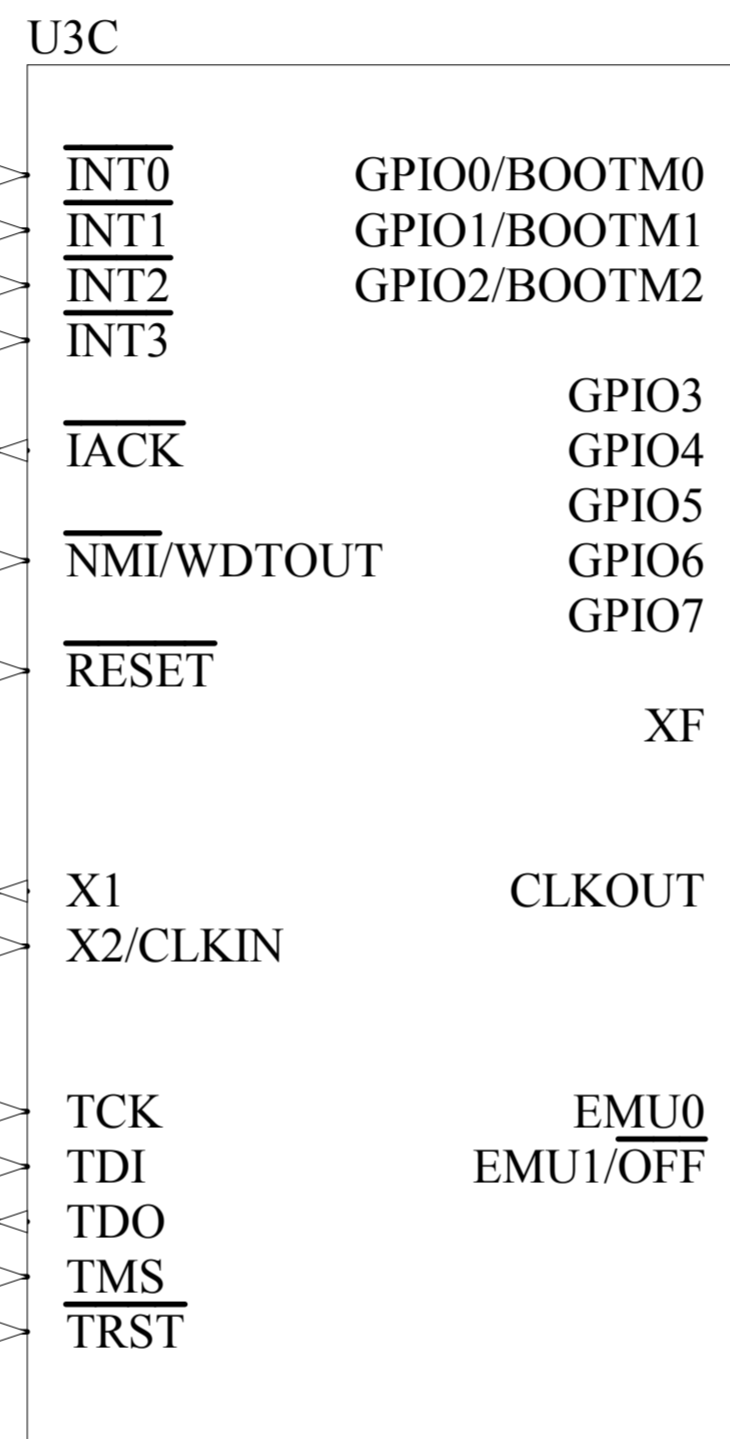
TDO R9 33 156

TMS

TMS 161

nTRST

nTRST 159



+3.3V +3.3V

RN3  
10K

+3.3V

R12  
10K

NO STUFF

GPIO[7..0]

GPIO[7..0]

GPIO0/BOOTM0 5  
GPIO1/BOOTM1 4  
GPIO2/BOOTM2 3

GPIO0 5  
GPIO1 4  
GPIO2 3

GPIO3 38  
GPIO4 2  
GPIO5 35  
GPIO6 1  
GPIO7 176

GPIO3 38  
GPIO4 2  
GPIO5 35  
GPIO6 1  
GPIO7 176

XF 55

CLKOUT 54

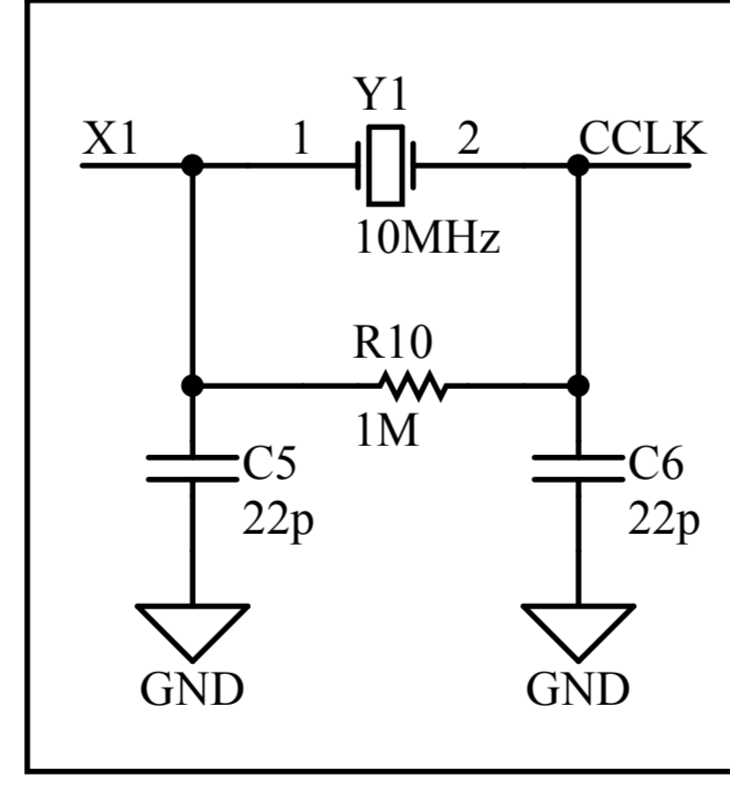
EMU0 155  
EMU1/OFF 154

EMU0 155  
EMU1 154

+3.3V  
R6 10K  
R8 10K

R7 10K

NO STUFF



Title		
Size	Number	Revision
A4		
Date:	2008-6-10	Sheet of
File:	C:\Altium Designer 6\...\Clock, Config & JTAG.schDoc	

D[31..0] D[31..0]

A[21..2] A[21..2]

nCE1 nCE1

nCE2 nCE2

nCE3 nCE3

nBE[3..0] nBE[3..0]

nAOE nAOE

nAWE nAWE

ARDY ARDY

SCLK SCLK

1/4\_SCLK 1/4\_SCLK

CCLK CCLK

SCL SCL

SDA SDA

TX TX

RX RX

CLKR1 CLKR1

DR1 DR1

FSR1 FSR1

DX1 DX1

CLKX1 CLKX1

FSX1 FSX1

CLKR0 CLKR0

DR0 DR0

FSR0 FSR0

CLKX0 CLKX0

DX0 DX0

FSX0 FSX0

nIACK nIACK

nNMI/WDTOUT nNMI/WDTOUT

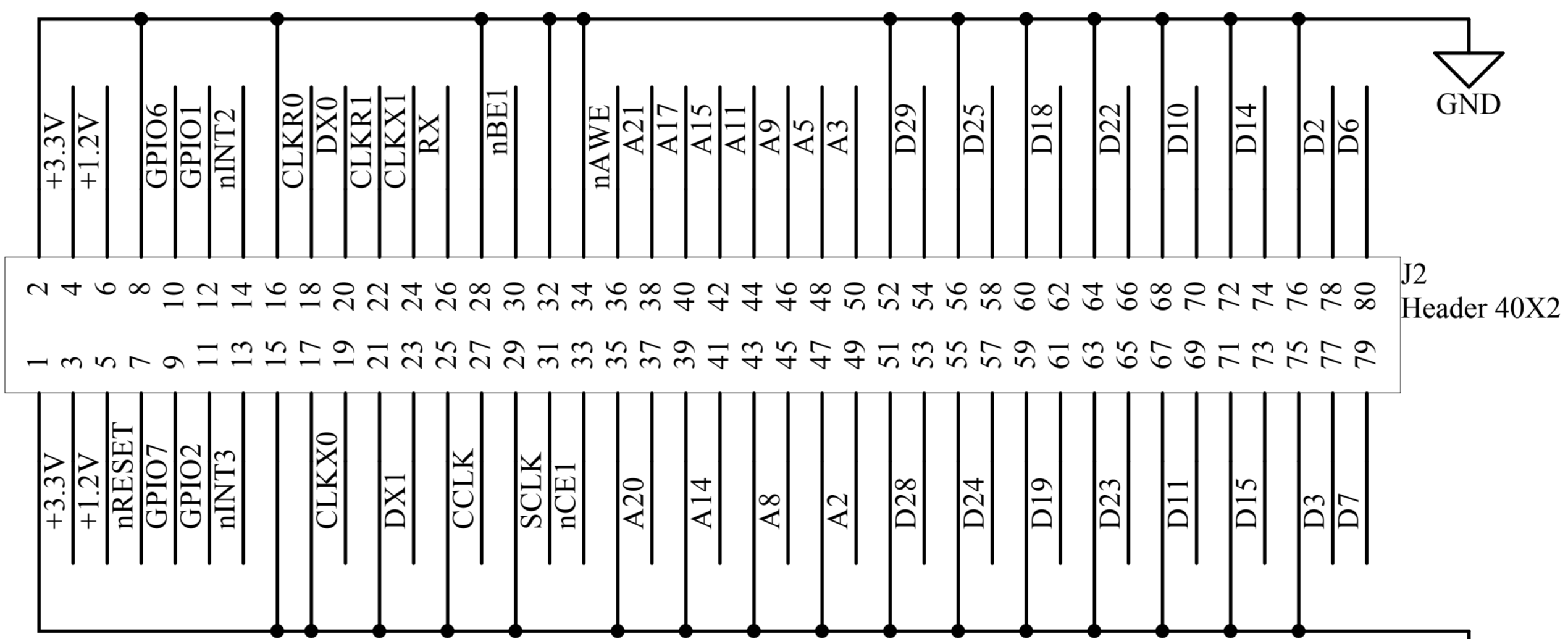
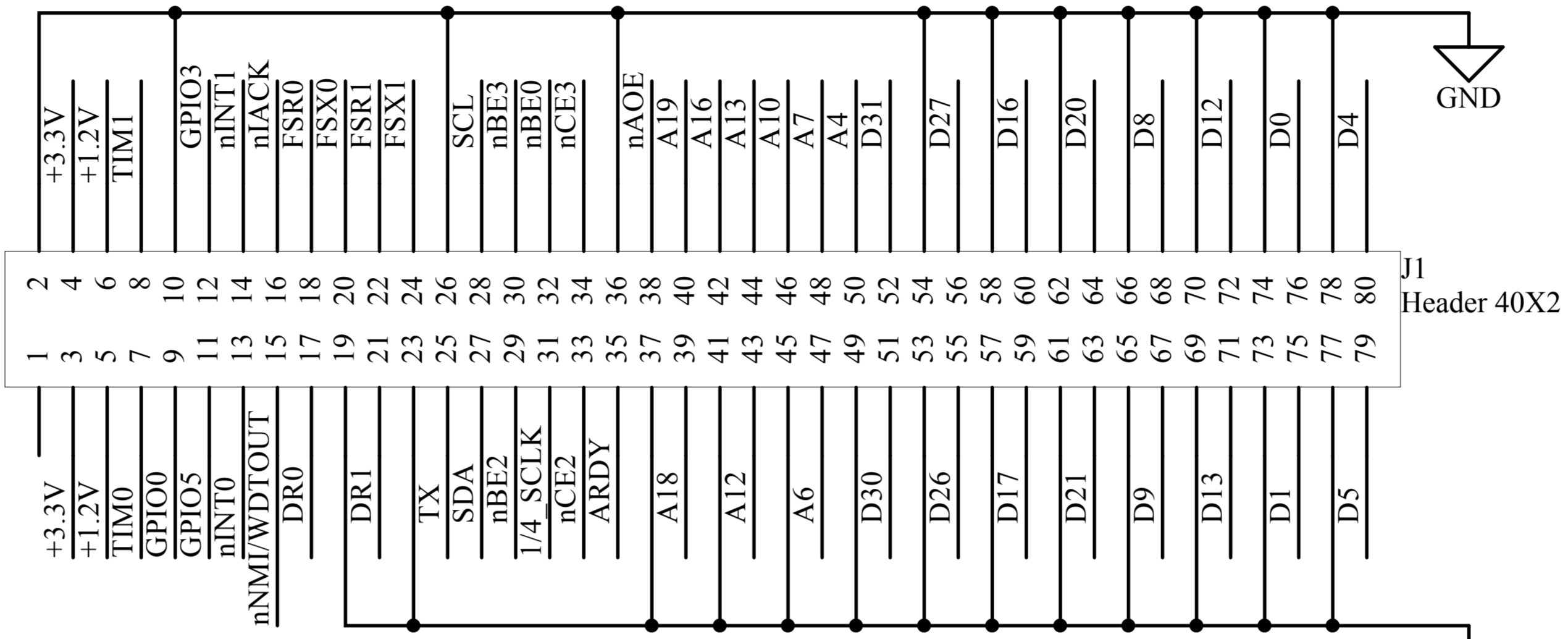
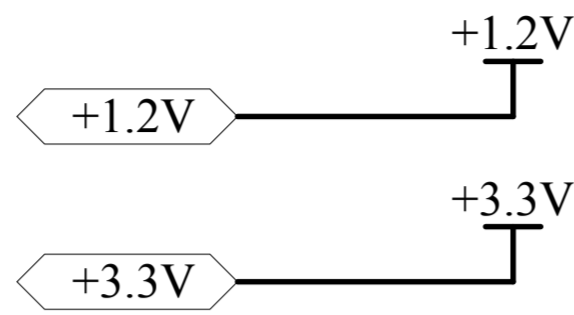
nINT[3..0] nINT[3..0]

GPIO[7..0] GPIO[7..0]

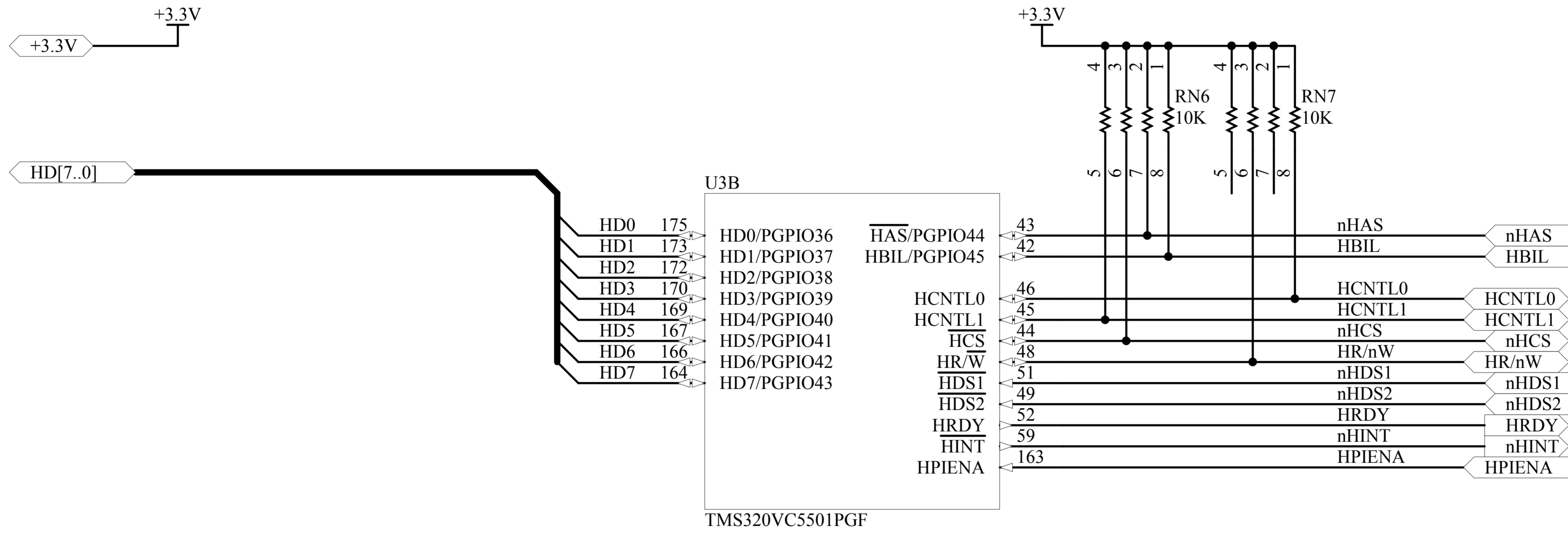
TIM0 TIM0

TIM1 TIM1

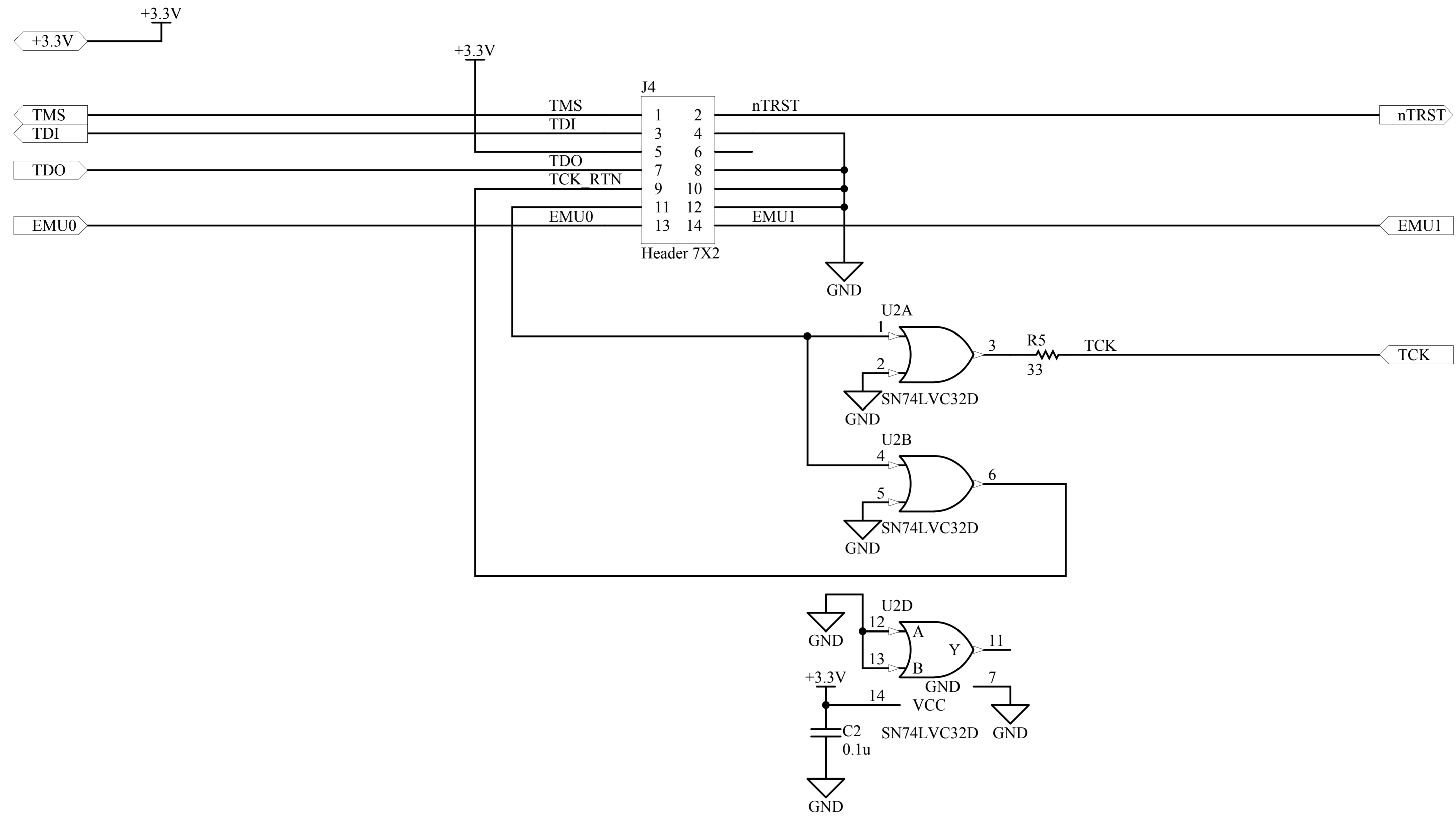
nRESET nRESET



Title		
Size	Number	Revision
A4		
Date:	2008-6-10	Sheet of
File:	C:\Altium Designer 6\...\Connector.SchDoc Drawn By:	



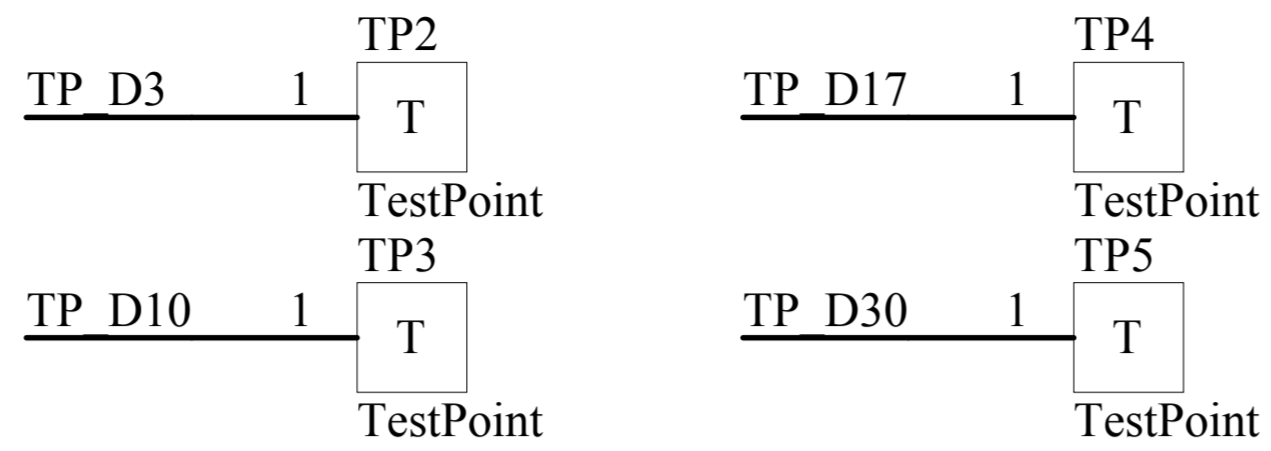
Title		
Size	Number	Revision
A4		
Date:	2008-6-10	Sheet of
File:	C:\Altium Designer 6\...\HPI.SchDoc	Drawn By:



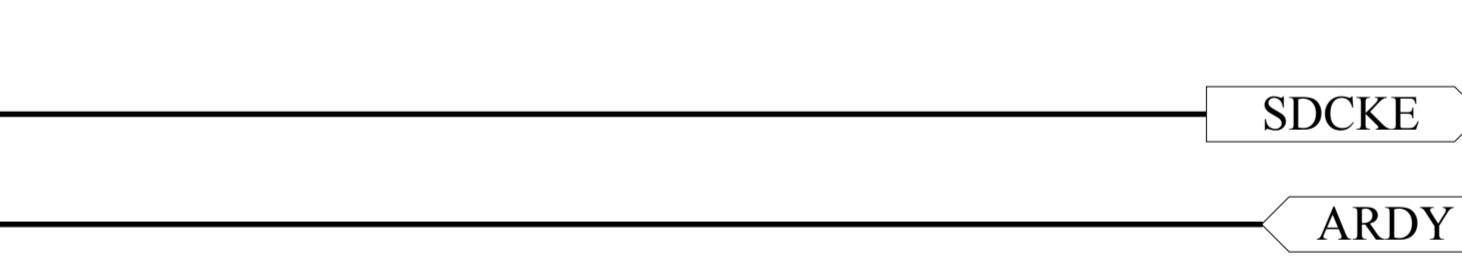
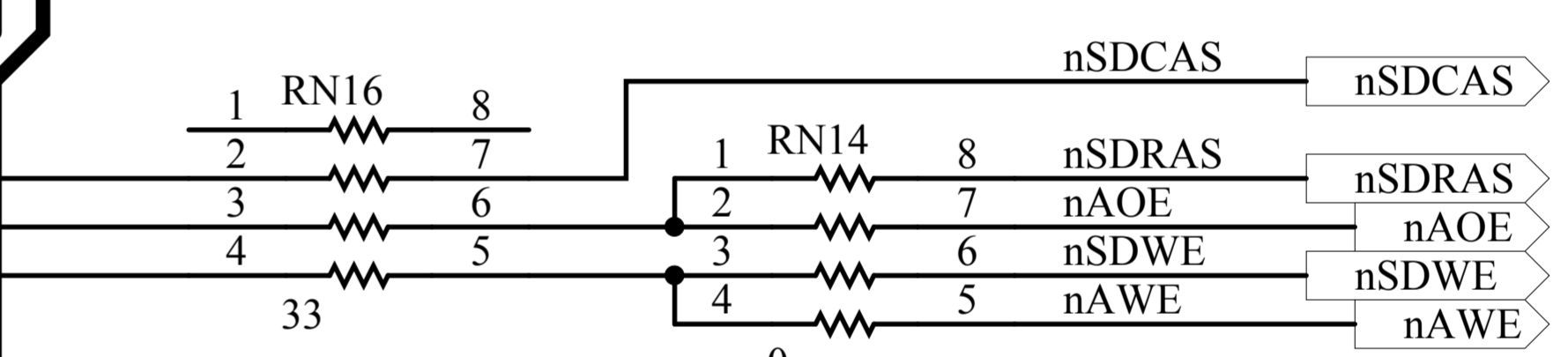
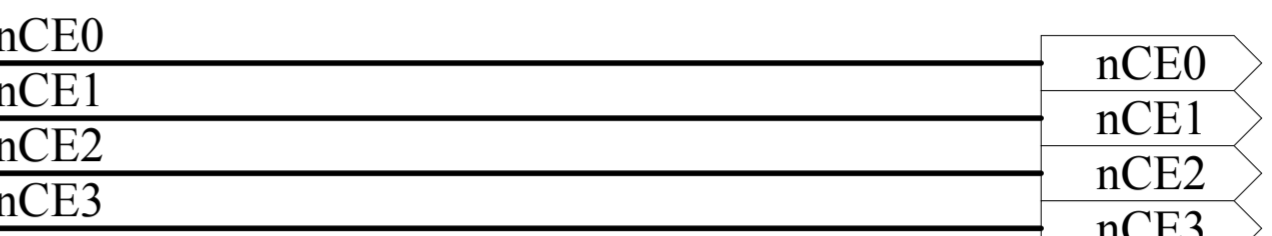
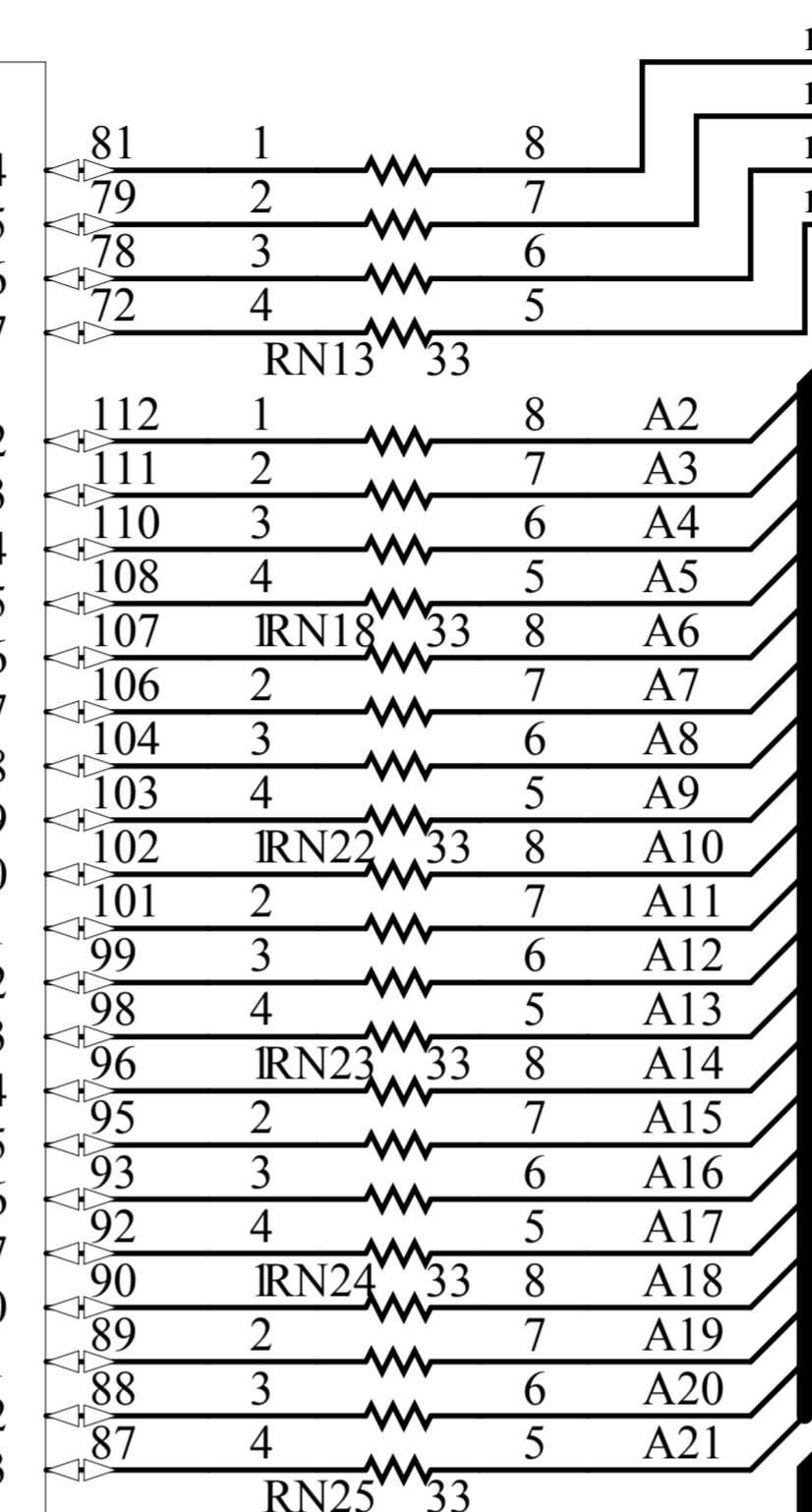
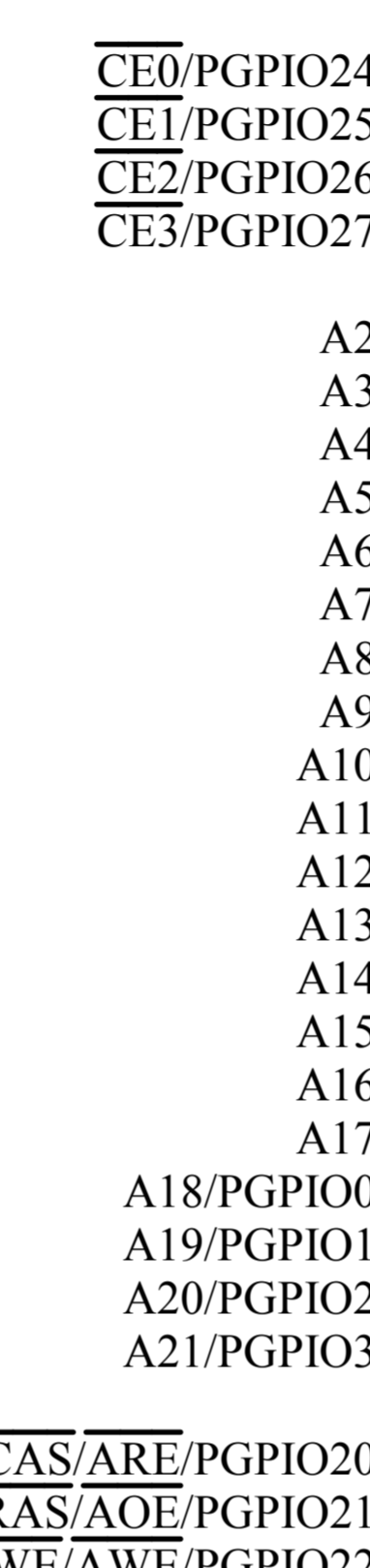
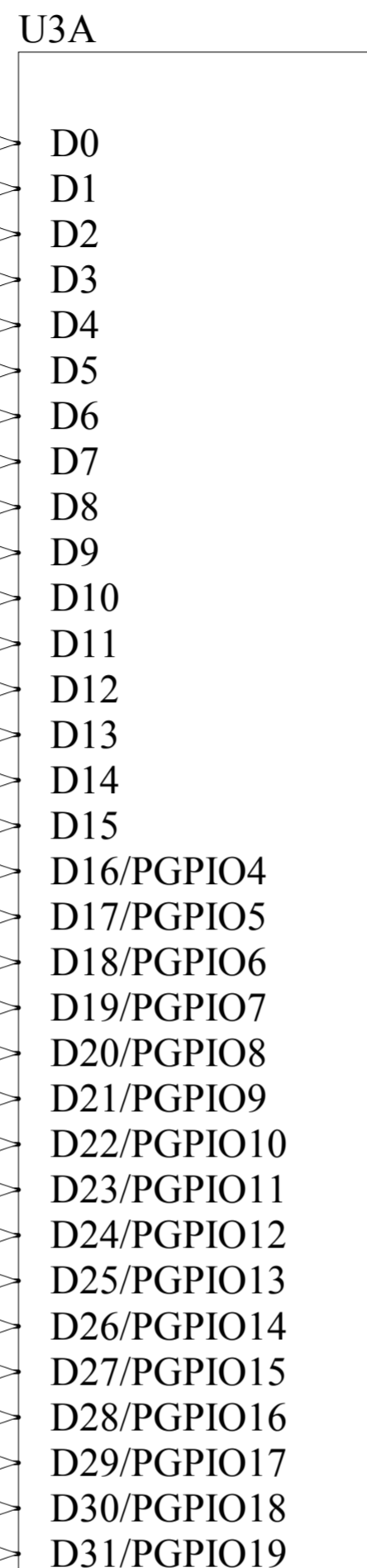
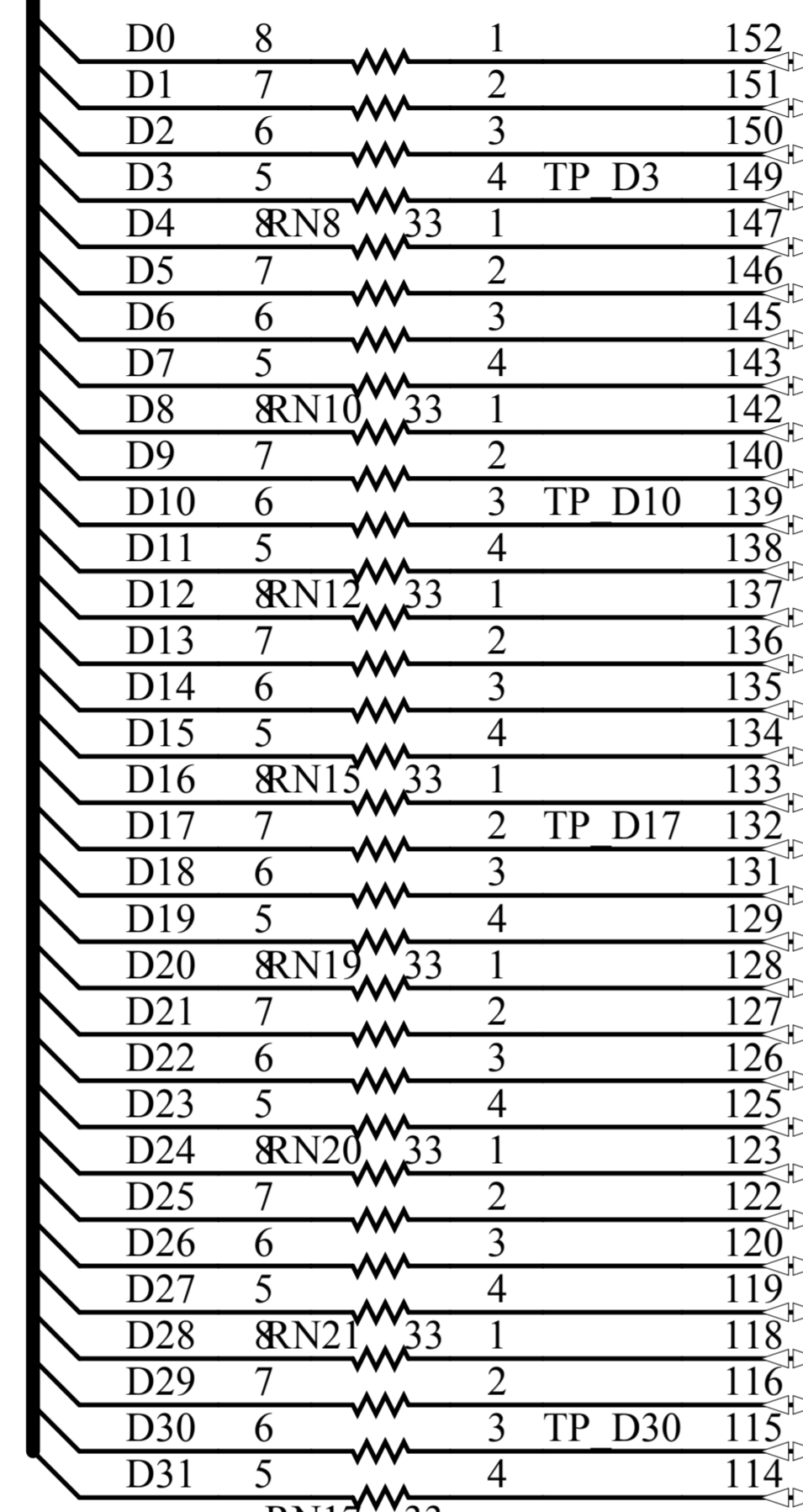
Title		
Size	Number	Revision
A4		
Date:	2008-6-10	Sheet of
File:	C:\Altium Designer 6\...\JTAG Header.SchDoc	
		Drawn By:



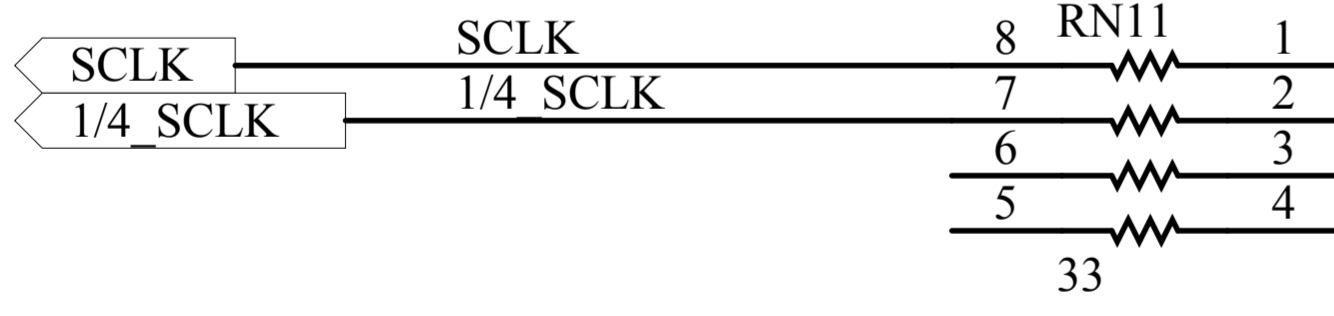
+3.3V



D[31..0]

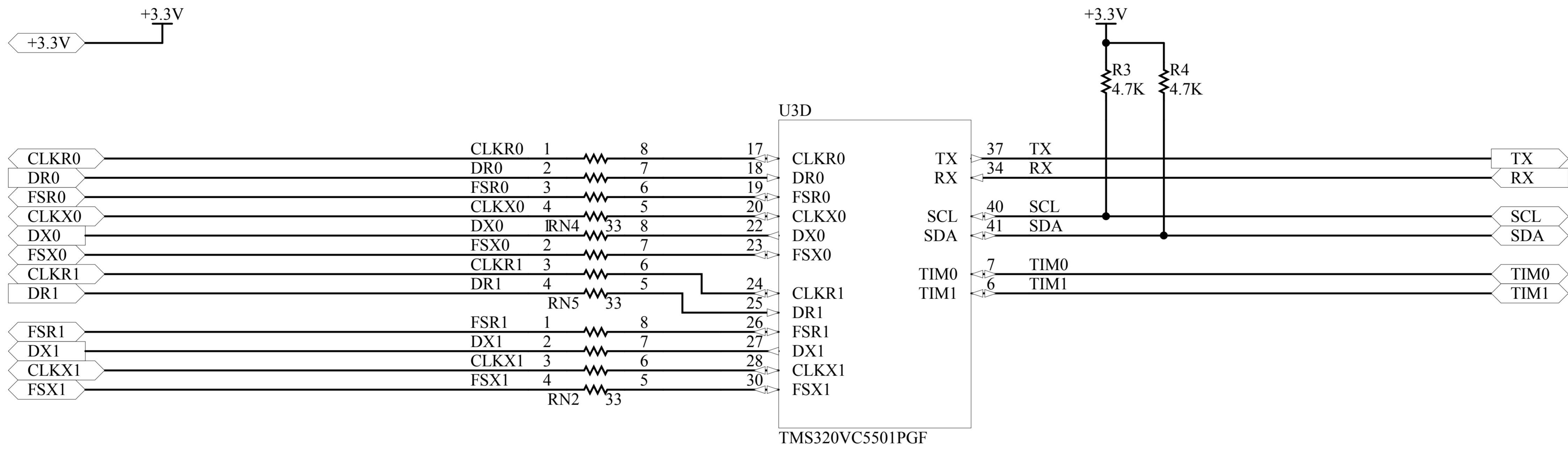


+3.3V

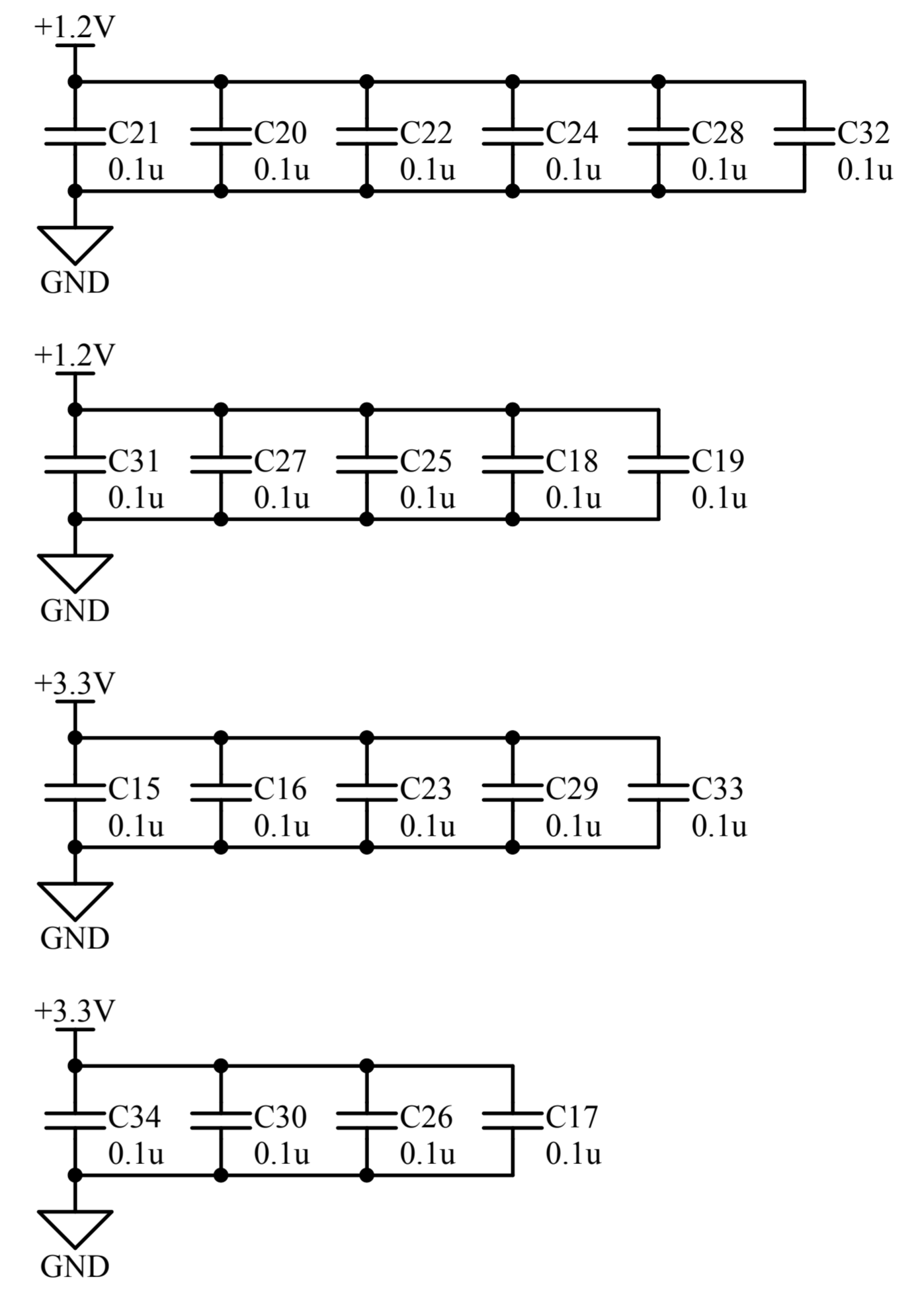
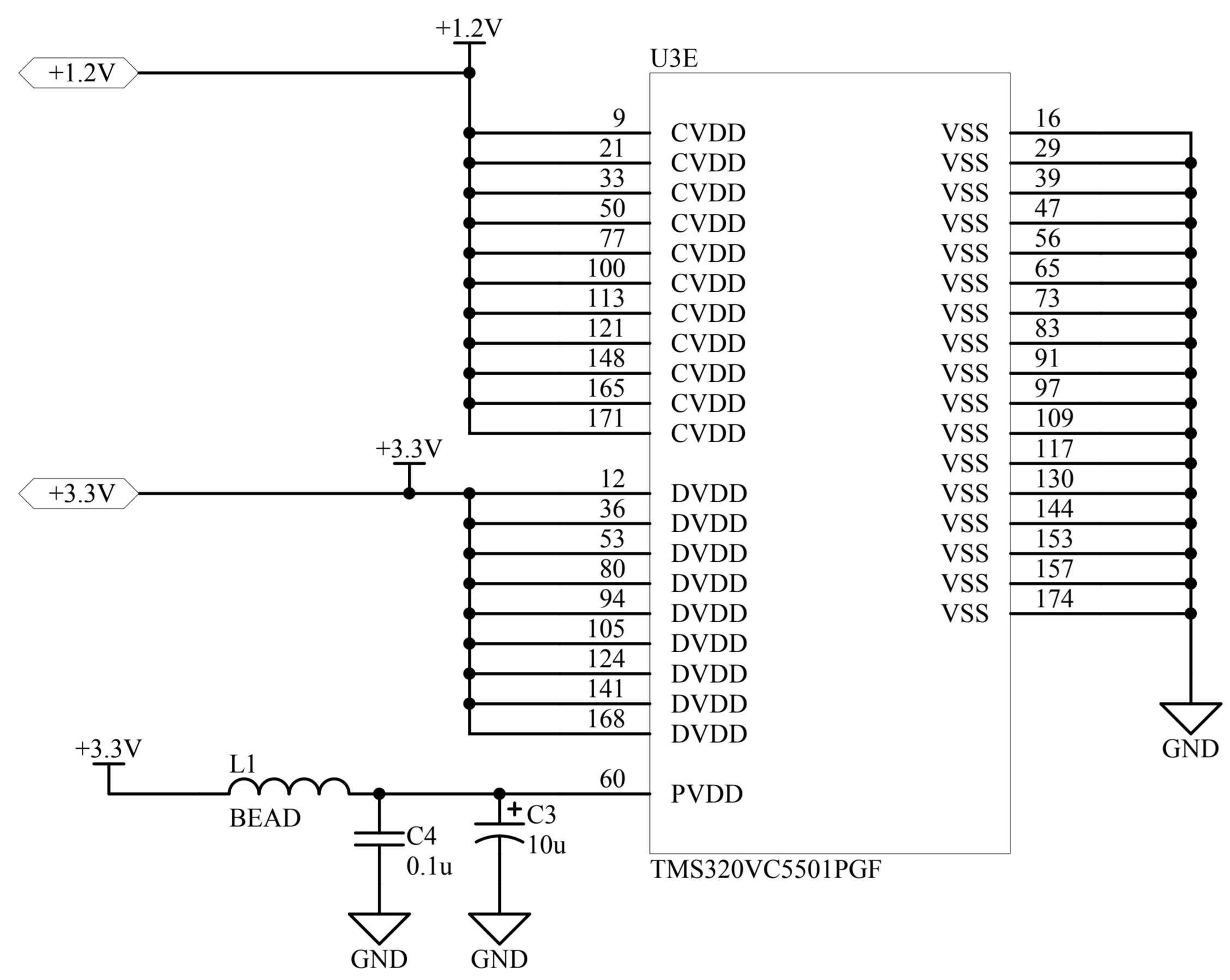


TMS320VC5501PGF

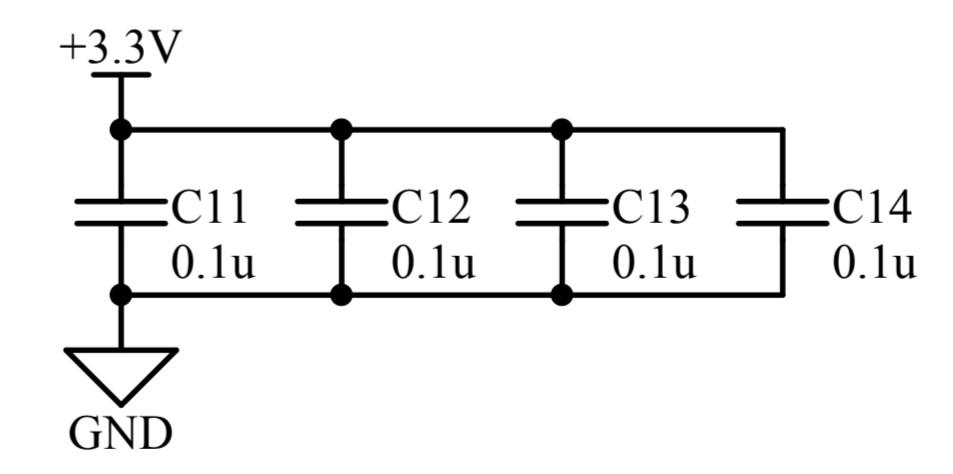
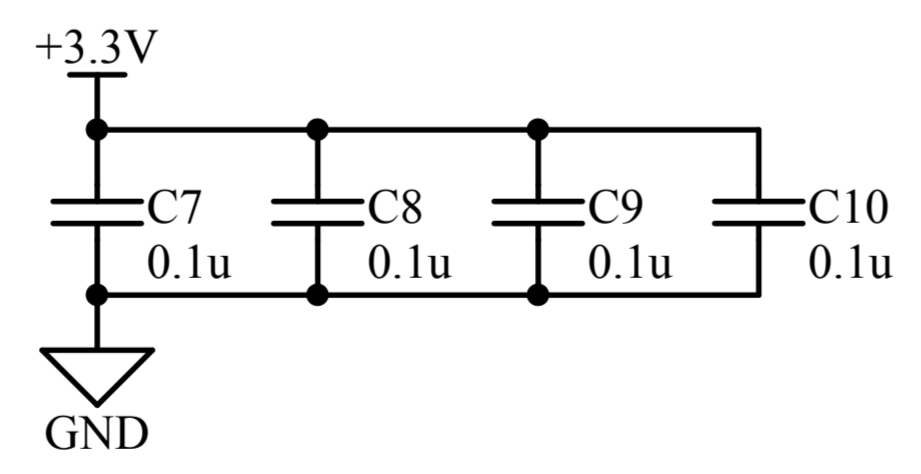
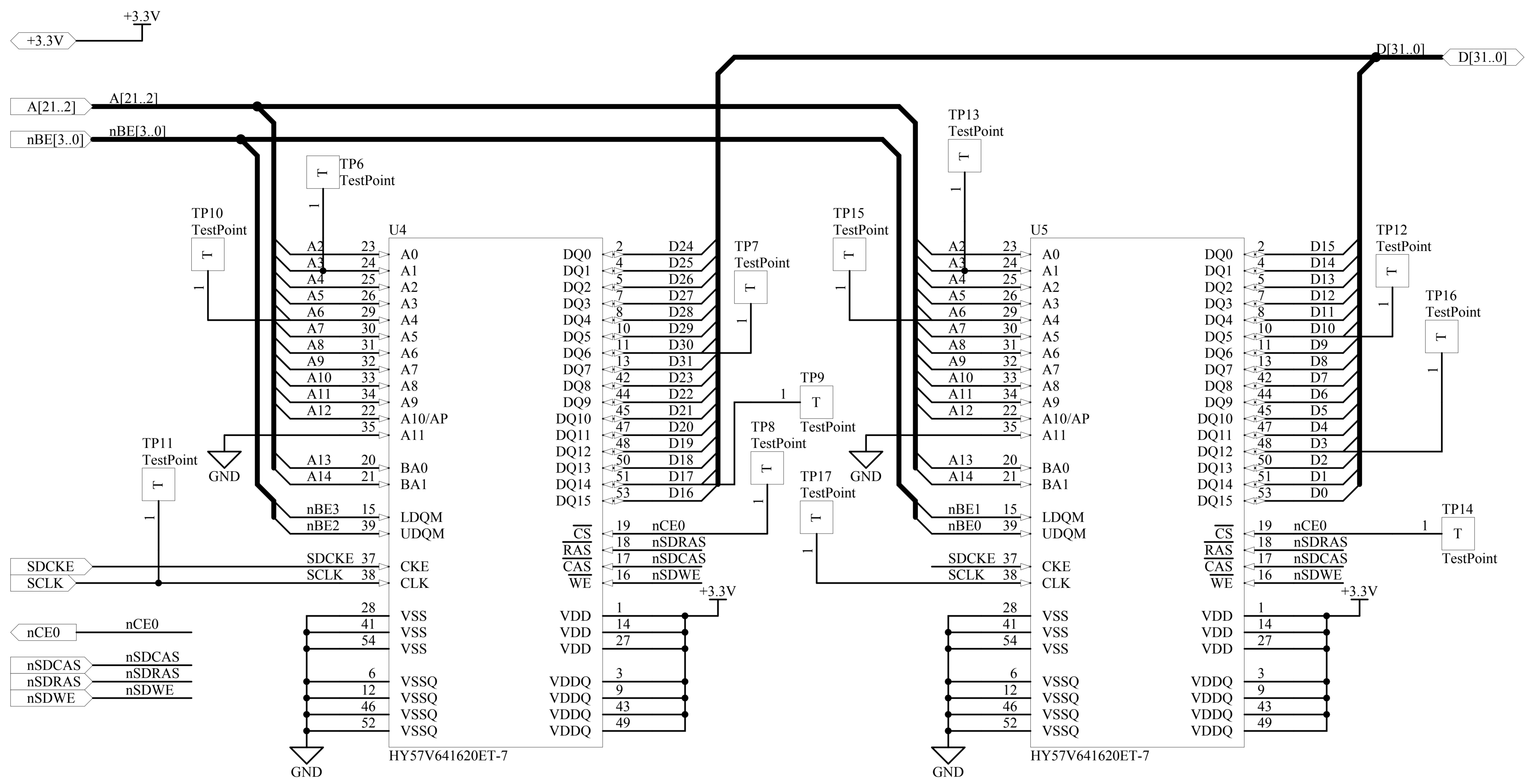
Title		
Size	Number	Revision
A4		
Date:	2008-6-10	Sheet of
File:	C:\Altium Designer 6\...\Memory.SchDoc	Drawn By:



Title		
Size	Number	Revision
A4		
Date:	2008-6-10	Sheet of
File:	C:\Altium Designer 6\...\Peripherals.SchDoc Drawn By:	

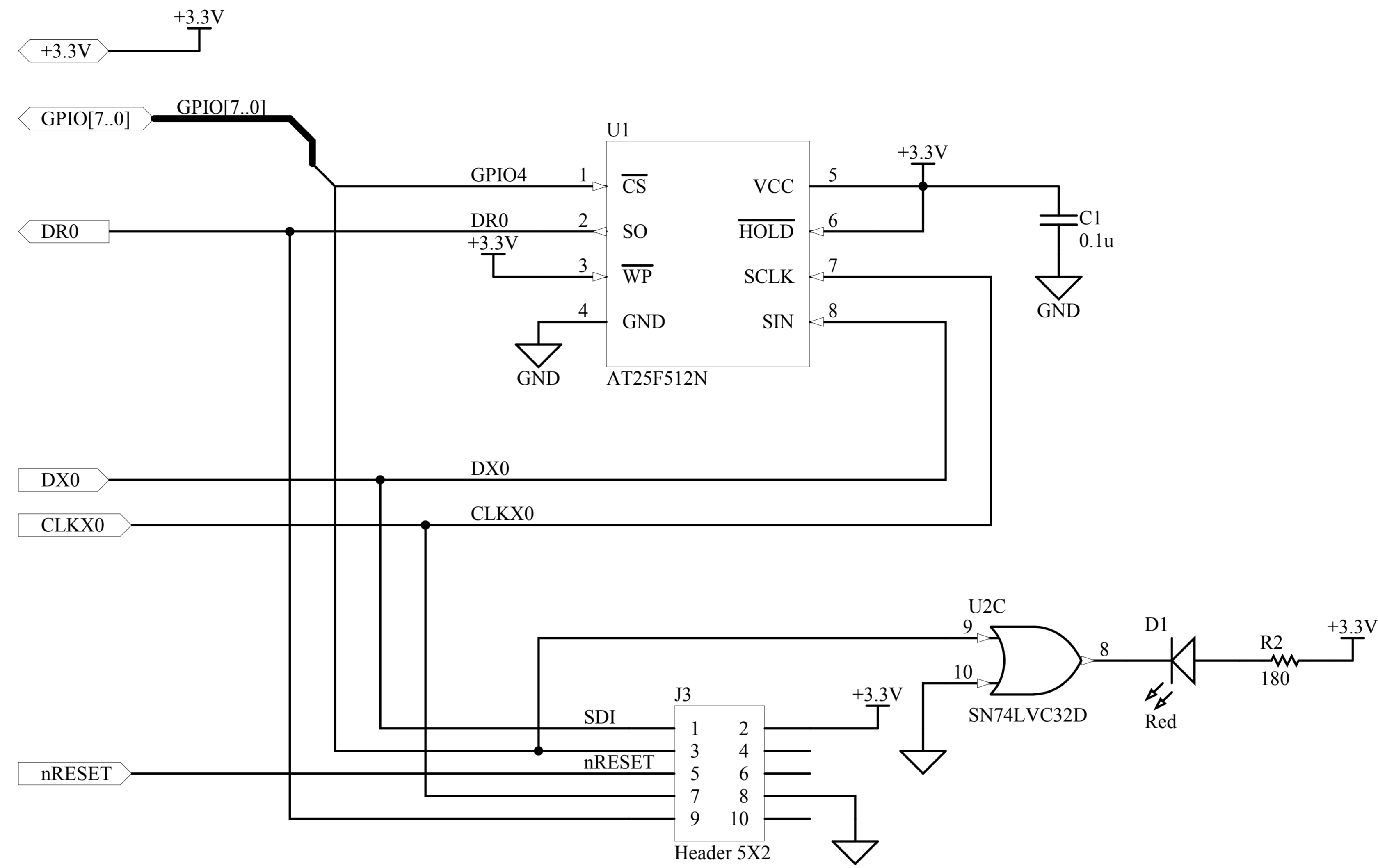


Title		
Size	Number	Revision
A4		
Date:	2008-6-10	Sheet of
File:	C:\Altium Designer 6\...\Power.SchDoc	Drawn By:



Title		
Size	Number	Revision
A4		
Date:	2008-6-10	Sheet of
File:	C:\Altium Designer 6\...\SDRAM.SchDoc	Drawn By:





Title		
Size	Number	Revision
A4		
Date:	2008-6-10	Sheet of
File:	C:\Altium Designer 6\...\SPI Boot ROM.SchDoc	